

LEGUÁN®

225

Varaosakirja
Parts Manual
Dellista
Ersatzteilliste



Serial numbers: 0080500 ->

Table Of Contents

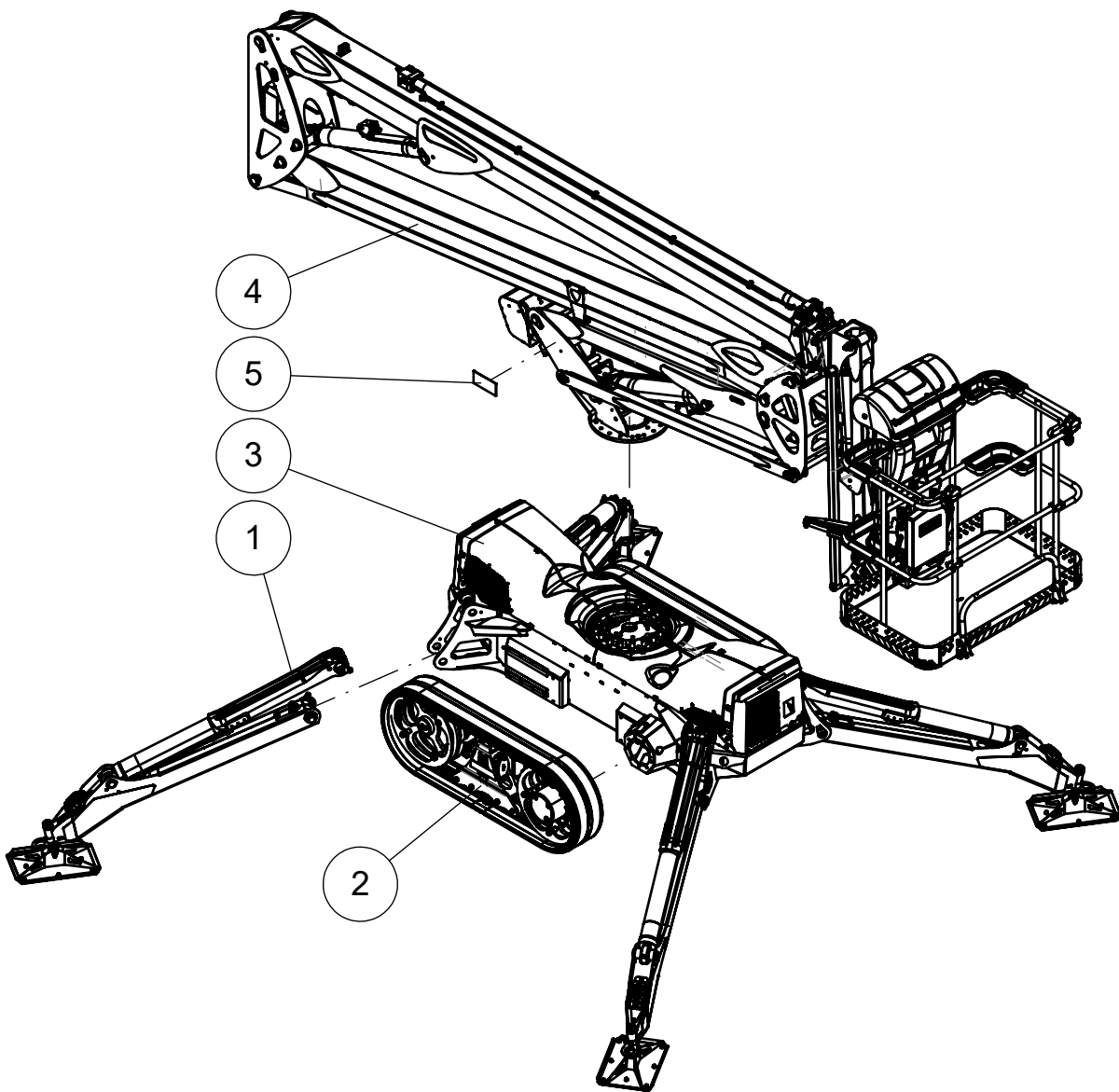
A478139	LEGUAN 225	4
A462199	OUTRIGGER ASSEMBLY LEGUAN 195	6
A462523	OUTRIGGER CYLINDER ASSEMBLY	8
A445848	TRANSMISSION ASSEMBLY LEGUAN 220	10
A454184	DRIVE MOTOR ASSEMBLY	12
A454825	WHEEL, DRIVE MOTOR	14
A448814	TRACK TIGHTENER ASSEMBLY LEGUAN 220	16
A454183	IDLER WHEEL ASSEMBLY	18
A454822	IDLER WHEEL	20
A464861	CHASSIS ASSEMBLY LEGUAN 195	22
A450698	HYDRAULIC OIL TANK ASSEMBLY LEGUAN 220	24
A450026	HYDRAULIC OIL TANK LEGUAN 220	26
A450025	COARSE FILTER ASSEMBLY, OIL TANK	28
A449453	ELECTRIC MOTOR 230V ASSEMBLY LEGUAN 220	30
A450073	ELECTRIC MOTOR 120V ASSEMBLY	32
A450074	EXTRA WEIGHT ASSEMBLY, ELECTRIC MOTOR	34
A448251	REAR GRILLE ASSEMBLY LEGUAN 220	36
A445987	HYDRAULIC OIL COOLER ASSEMBLY LEGUAN 220	38
A450978	CONNECTION BOX 230V ASSEMBLY	40
A450274	CONNECTION BOX 230V EQUIPPED LEGUAN 220	42
A458415	CONNECTION BOX 120V ASSEMBLY	44
A450075	CONTROL VALVE OUTRIGGERS LEGUAN 220	46
A468234	HYDRAULIC MANIFOLD ASSEMBLY, PUMP	48
A453079	SPLITTER BOX ASSEMBLY	50
A445935	ENGINE ASSEMBLY LEGUAN 220	52
A450937	FUEL TANK ASSEMBLY LEGUAN 220	54
A447373	FUEL TANK ASSEMBLY LEGUAN 220	56
A449403	DIESEL ENGINE D902 ASSEMBLY LEGUAN 220	58
A449442	THROTTLE ACTUATOR ASSEMBLY	60
A453017	HYDRAULIC PUMP ASSEMBLY LEGUAN 220	62
A449205	EXHAUST MUFFLER ASSEMBLY LEGUAN 220	64
A447164	RADIATOR ASSEMBLY LEGUAN 220	66
A450202	STARTER BATTERY 12V ASSEMBLY LEGUAN 220	68
A446475	BATTERY DISCONNECT SWITCH ASSEMBLY	70
A446034	SLEWING RING ASSEMBLY LEGUAN 220	72
A462447	BRAKE ASSEMBLY, SLEWING RING	74
A445988	COVER PANELS CHASSIS LEGUAN 220	76
A444101	BOOMS ASSEMBLY LEGUAN 220	78
A444564	LOWER BOOMS ASSEMBLY LEGUAN 220	80
A446071	PEDESTAL ASSEMBLY LEGUAN 220	82

17.12.2024

A455168	CONTROL BOX ASSEMBLY, CHASSIS	84
A445921	CONNECTION BOX ON PIEDESTAL LEGUAN 220	86
A457387	GPS TRACKER ASSEMBLY	88
A455166	CONTROL PANEL ASSEMBLY, CHASSIS	90
A457922	DISPLAY ASSEMBLY, LOWER CONTROLS	92
A446028	HOUSING WITH EQUIPMENT REMOTE CONTROL	94
A444292	REMOTE CONTROL UNIT 2,4 GHZ ASSEMBLY	96
A446450	HYDRAULIC MANIFOLD, LOWER BOOM	98
A446083	LOWER BOOM 1 ASSEMBLY LEGUAN 220	100
A446431	LIFT CYLINDER ASSEMBLY LEGUAN 220	102
A446058	LOWER BOOM 2 ASSEMBLY LEGUAN 220	104
A445482	HYDR. MANIFOLD ASSEMBLY, BOOM	106
A444563	UPPER BOOM ASSEMBLY LEGUAN 220	108
A444561	UPPER BOOM WITH CHAIN LEGUAN 220	110
A445164	ALUMINIUM CHANNEL CABLE CARRIER CHAIN	112
A444556	MIDDLE BOOM ASSEMBLY LEGUAN 220	114
A445153	ALUMINIUM CHANNEL OUTER ASSEMBLY LEGUAN	116
A444541	TELESCOPIC BOOM ASSEMBLY LEGUAN 220	118
A445220	TELESCOPIC CYLINDER ASSEMBLY LEGUAN 220	120
A445143	HYDR. CYLINDER UPPER BOOM WITH VALVES	122
A453697	MAIN SELF LEVELLING CYL. ASSEMBLY	124
A444533	JIB BOOM ASSEMBLY LEGUAN 220	126
A447276	HYDR. CYLINDER ASSEMBLY, JIB	128
A468273	SELF LEVELLING CYLINDER ASSEMBLY	130
A444544	PLATFORM+SELF LEVELLING PIECE ASSEMBLY	132
A447344	ROTATION PLATFORM ASSEMBLY LEGUAN 220	134
A447345	MOUNTING BRACKET PLATFORM ASSEMBLY	136
A449211	CONTROL PANEL PLATFORM ASSEMBLY	138
A444822	CONTROLS ON PLATFORM LEGUAN 220	140
A444823	DASHBOARD PLATFORM ASSEMBLY LEGUAN 220	142
A453723	WORK PLATFORM ACCESSORIES	144
A453724	WORK PLATFORM ASSEMBLY LEGUAN 220	146
A443939	WORK PLATFORM 900X820 MM ASSEMBLY LEGUAN	148
A443940	CROSS BAR, OPENING PLATFORM 900X820MM	150
A417499	CROSS BAR, OPENING PLATFORM L135	152
A421621	WORK LIGHT, ON PLATFORM, LEGUAN 190	154
A478431	DECAL KIT	156
A478432	DECAL KIT USA	158
A457955	HYDRAULIC HOSE KIT	160
A457975	CABLE HARNESSSES COMPLETE	162
A451231	CABLE HARNESSSES	164

17.12.2024

A478139 LEGUAN 225



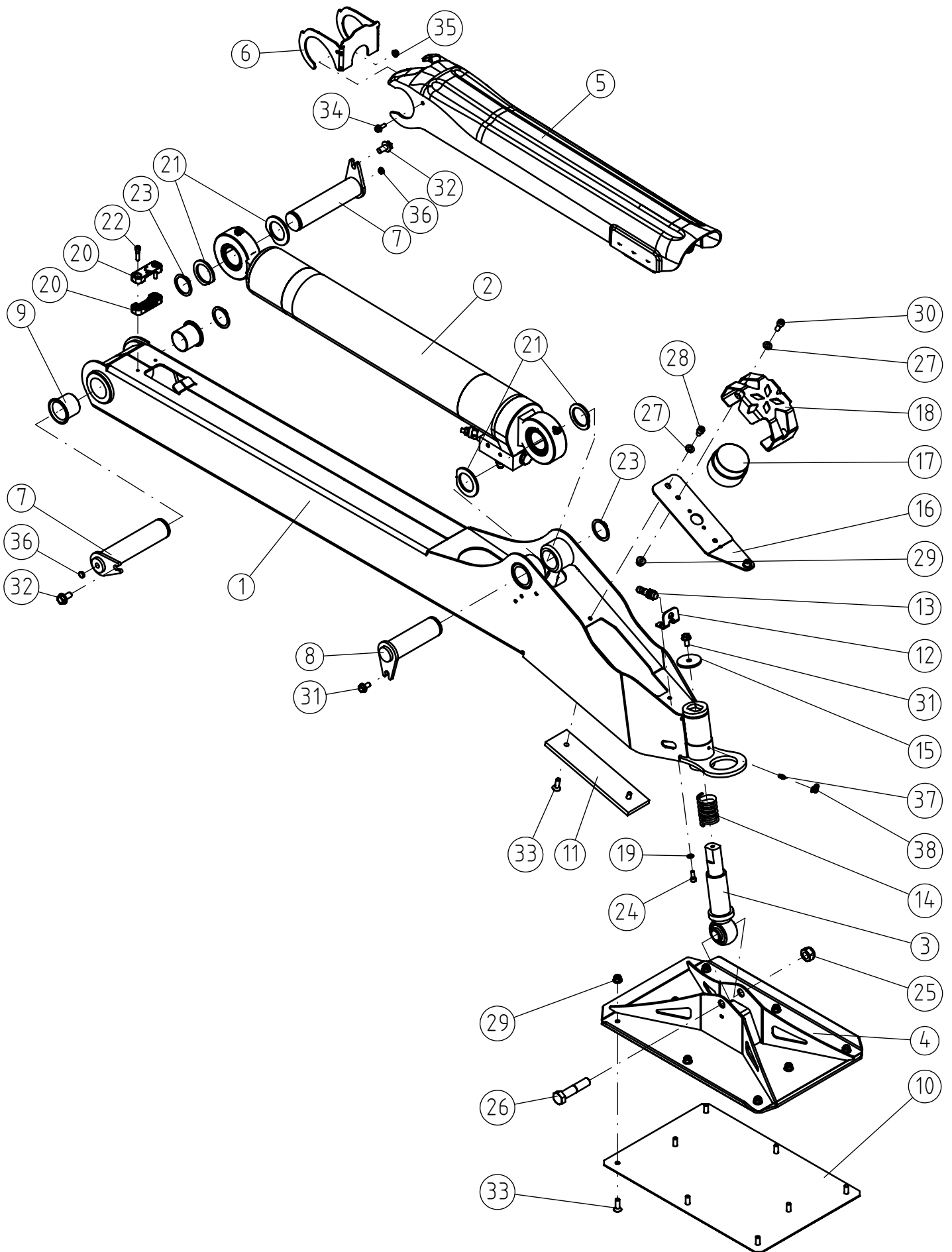
17.12.2024

A478139 LEGUAN 225

REF	PART NO	QTY	DESCRIPTION	NOTES	PAGE
1	A462199	4	OUTRIGGER ASSEMBLY LEGUAN 195		6
2	A445848	1	TRANSMISSION ASSEMBLY LEGUAN 220		10
3	A464861	1	CHASSIS ASSEMBLY LEGUAN 195		22
4	A444101	1	BOOMS ASSEMBLY LEGUAN 220		78
5	A454774	1	TYPE PLATE CE LEGUAN 220		-
5	A456693	1	TYPE PLATE AUS LEGUAN 220		-
5	A456105	1	TYPE PLATE USA LEGUAN 220		-
6	A478431	1	DECAL KIT		156
6	A478432	1	DECAL KIT USA		158
7	A457955	1	HYDRAULIC HOSE KIT		160
8	A457975	1	CABLE HARNESSES COMPLETE		162

17.12.2024

A462199 OUTRIGGER ASSEMBLY LEGUAN 195



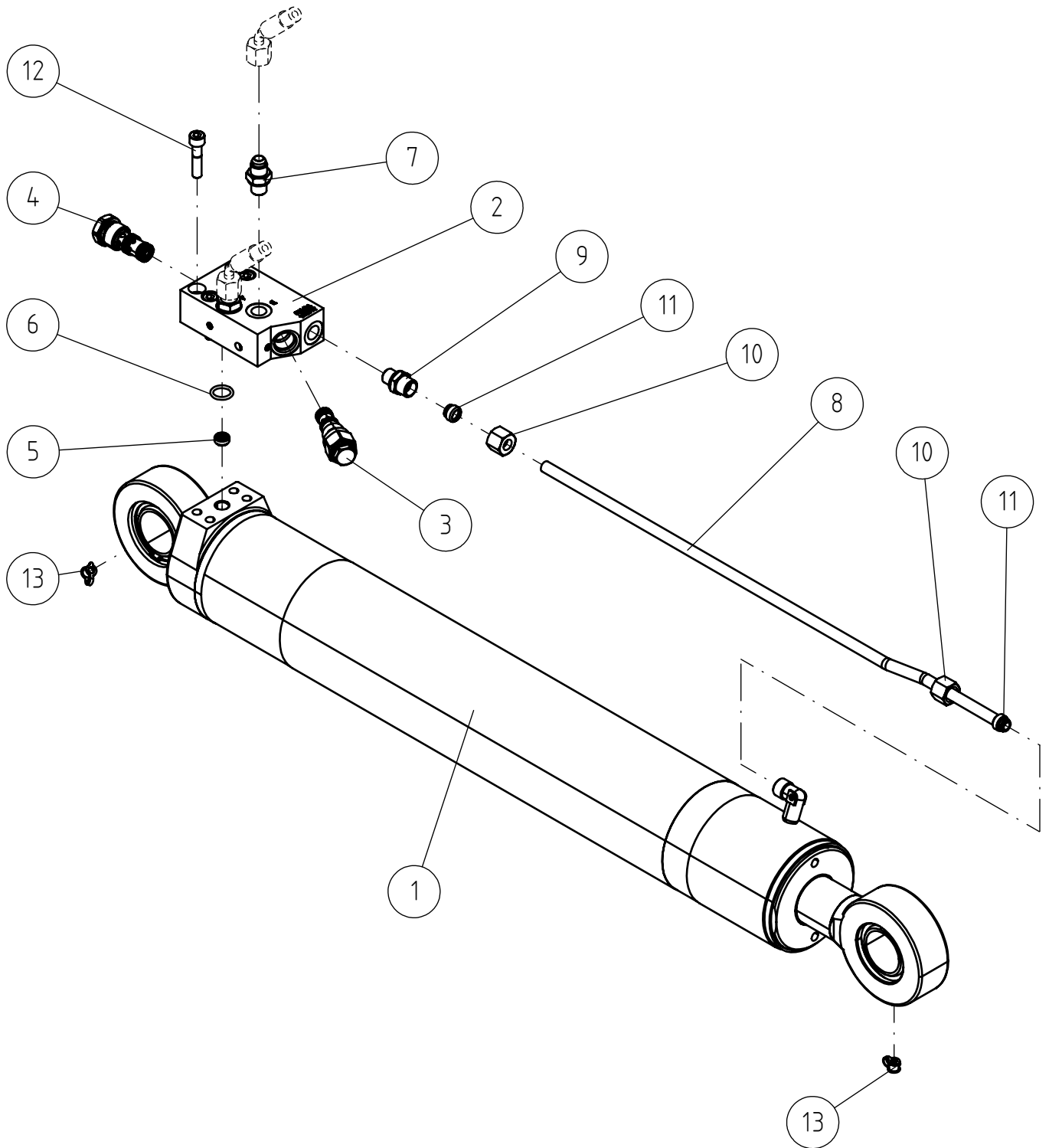
17.12.2024

A462199 OUTRIGGER ASSEMBLY LEGUAN 195

REF	PART NO	QTY	DESCRIPTION	NOTES	PAGE
1	A463732	1	OUTRIGGER LEGUAN 195		-
2	A462523	1	OUTRIGGER CYLINDER ASSEMBLY		8
3	A449616	1	PIN, POSITION SENSOR		-
4	A449617	1	FOOT PLATE 500X300 OUTRIGGER LEGUAN 220		-
5	A449614	1	PROTECTIVE PLATE GREY OUTRIGGER CYLINDER		-
6	A464425	1	REINFORCEMENT PLATE, OUTRIGGER COVER		-
7	A463865	2	PIVOT PIN F=40 L=168		-
8	A450135	1	PIVOT PIN F40 L=124		-
9	66446	2	SLIDE BEARING F44(54)/F40-40		-
10	A422170	1	PLASTIC PLATE SKID SHOE OUTRIGGER LEGUAN		-
11	A419051	1	PLATE, PLASTIC, OUTRIGGER LEGUAN 135		-
12	A449692	1	MOUNTING BRACKET, SENSOR OUTRIGGER		-
13	66338	1	INDUCTIVE PROXIMITY SENSOR 9-36V/0,2A		-
14	A449859	1	COMPRESSION SPRING L=60		-
15	A450123	1	SPACER, OUTRIGGER		-
16	A419284	1	COVER PLATE, OUTRIGGER LEGUAN		-
17	65417	1	BEACON LED, ORANGE		-
18	A457592	1	COVER PLATE, BLINKER OUTRIGGER		-
19	71680	2	WASHER M6 DIN 125		-
20	A466557	2	PIPE CLAMP OVAL		-
21	A466058	2	SPACER PAIR 40		-
22	71880	2	HEXAGONAL HEAD SCREW M 6*25 DIN 912 2		-
23	71280	3	SEEGER RING A40*1,75		-
24	73766	2	HEXAGONAL HEAD SCREW M6*16 DIN 912 2 8.8		-
25	72330	1	HEXAGONAL NUT M16 NYLOC DIN 985		-
26	74680	1	HEXAGONAL SCREW M16*75 DIN 931		-
27	73122	4	WASHER M8 A8,4 DIN 125 ZN		-
28	74932	2	HEXAGONAL HEAD SCREW M8*12		-
29	A447717	10	HEXAGONAL NUT M8 NYLOC DIN 6926		-
30	74481	2	HEXAGONAL HEAD SCREW M8*20 DIN 912 ZN		-
31	A429200	2	HEXAGONAL SERRATED SCREW M8*16 WITH		-
32	A432196	2	HEXAGONAL SERRATED SCREW M10*20 W. FLANG		-
33	74462	10	HEXAGON SOCKET COUNT HEAD SCREW M8*25		-
34	A431967	2	HEXAGONAL SERRATED SCREW M6*16 W. FLANG		-
35	A452923	2	HEXAGONAL NUT M6 DIN 6923		-
36	A438420	2	PLUG M12 FOR ROUND TUBE		-
37	72799	1	GREASE NIPPLE M6		-
38	A456064	1	CAP, GREASE NIPPLE		-

17.12.2024

A462523 OUTRIGGER CYLINDER ASSEMBLY



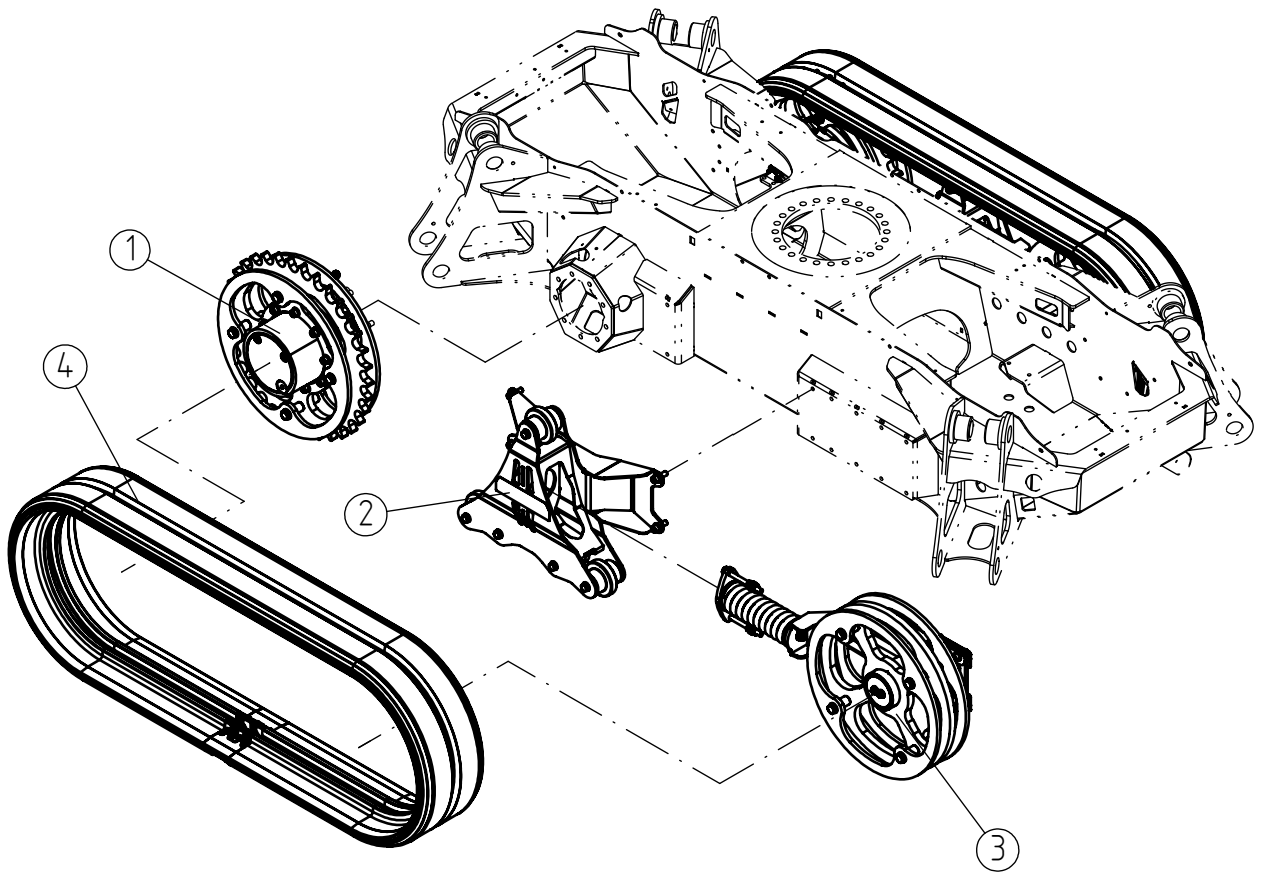
17.12.2024

A462523 OUTRIGGER CYLINDER ASSEMBLY

REF	PART NO	QTY	DESCRIPTION	NOTES	PAGE
1	A462526	1	HYDRAULIC CYLINDER, OUTRIGGER		-
2	A465594	1	SUBPLATE OUTRIGGER		-
3	A470095	1	VALVE CARTRIDGE LOAD CONTROL VALVE	Install torque 40 Nm	-
4	A467416	1	CHECK VALVE CARTRIDGE, PILOT OPERATED	Install torque 65 Nm	-
5	66296	1	RESTRICTOR CHECK VALVE CARTRIDGE 500BAR	Install torque 15 Nm	-
6	74738	1	O-RING NBR F 15 * 2,50 72SH		-
7	64059	2	BASIC FITTING F40XS10-1/4		-
8	A467761	1	HYDRAULIC PIPE, OUTRIGGER CYLINDER		-
9	66369	1	BASIC FITTING 10MM-R1/4" UK /2		-
10	66365	2	FITTING NUT "M NUT" M10L M16*1,5		-
11	A451988	2	CUTTING RING		-
12	74482	4	HEXAGONAL HEAD SCREW M8* 35 DIN 912	22 Nm	-
13	A456064	2	CAP, GREASE NIPPLE		-

17.12.2024

A445848 TRANSMISSION ASSEMBLY LEGUAN 220



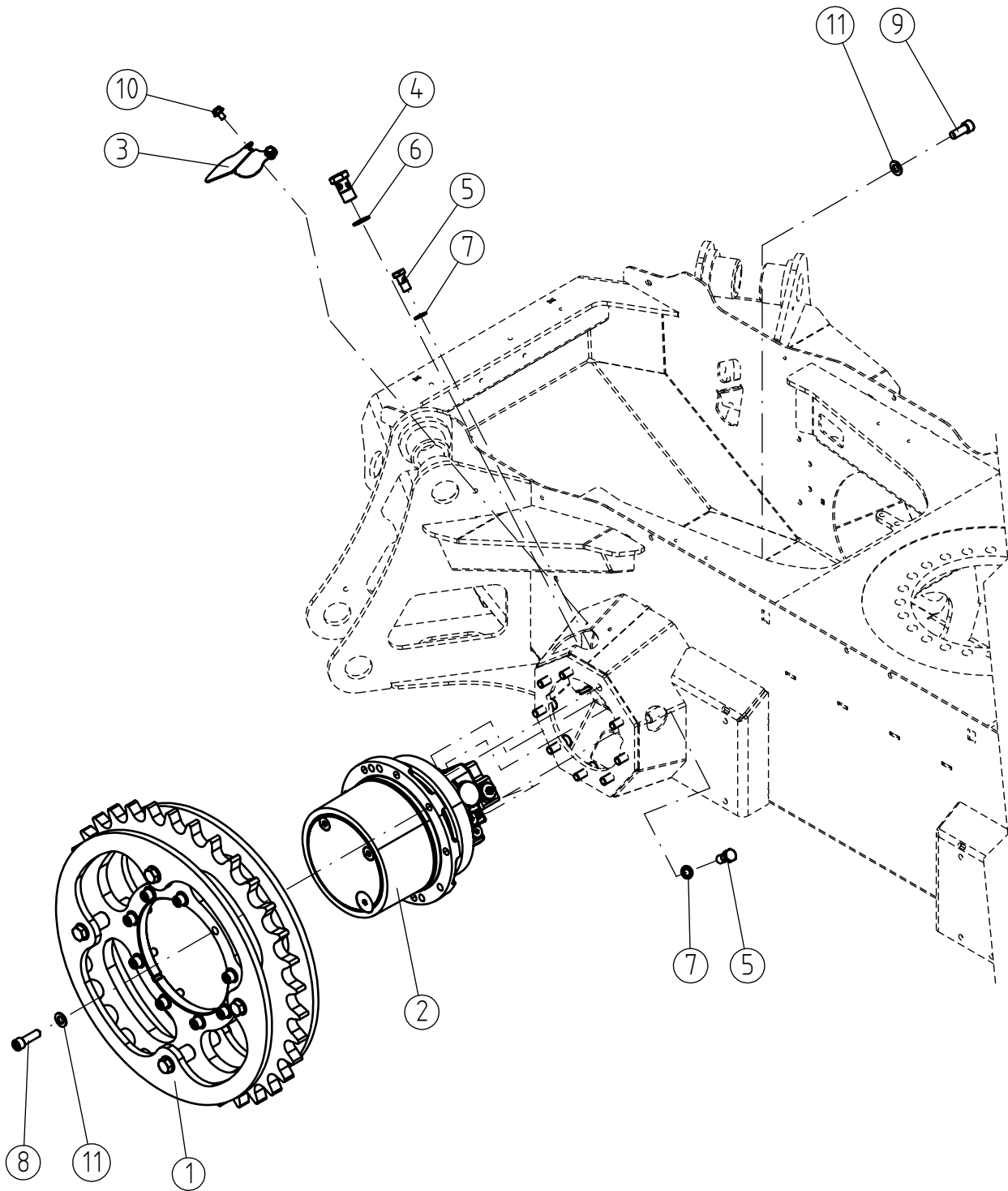
17.12.2024

A445848 TRANSMISSION ASSEMBLY LEGUAN 220

REF	PART NO	QTY	DESCRIPTION	NOTES	PAGE
1	A454184	2	DRIVE MOTOR ASSEMBLY		12
2	A448814	2	TRACK TIGHTENER ASSEMBLY LEGUAN 220		16
3	A454183	2	IDLER WHEEL ASSEMBLY		18
4	A445012	2	RUBBER TRACK 230*48*76		-

17.12.2024

A454184 DRIVE MOTOR ASSEMBLY



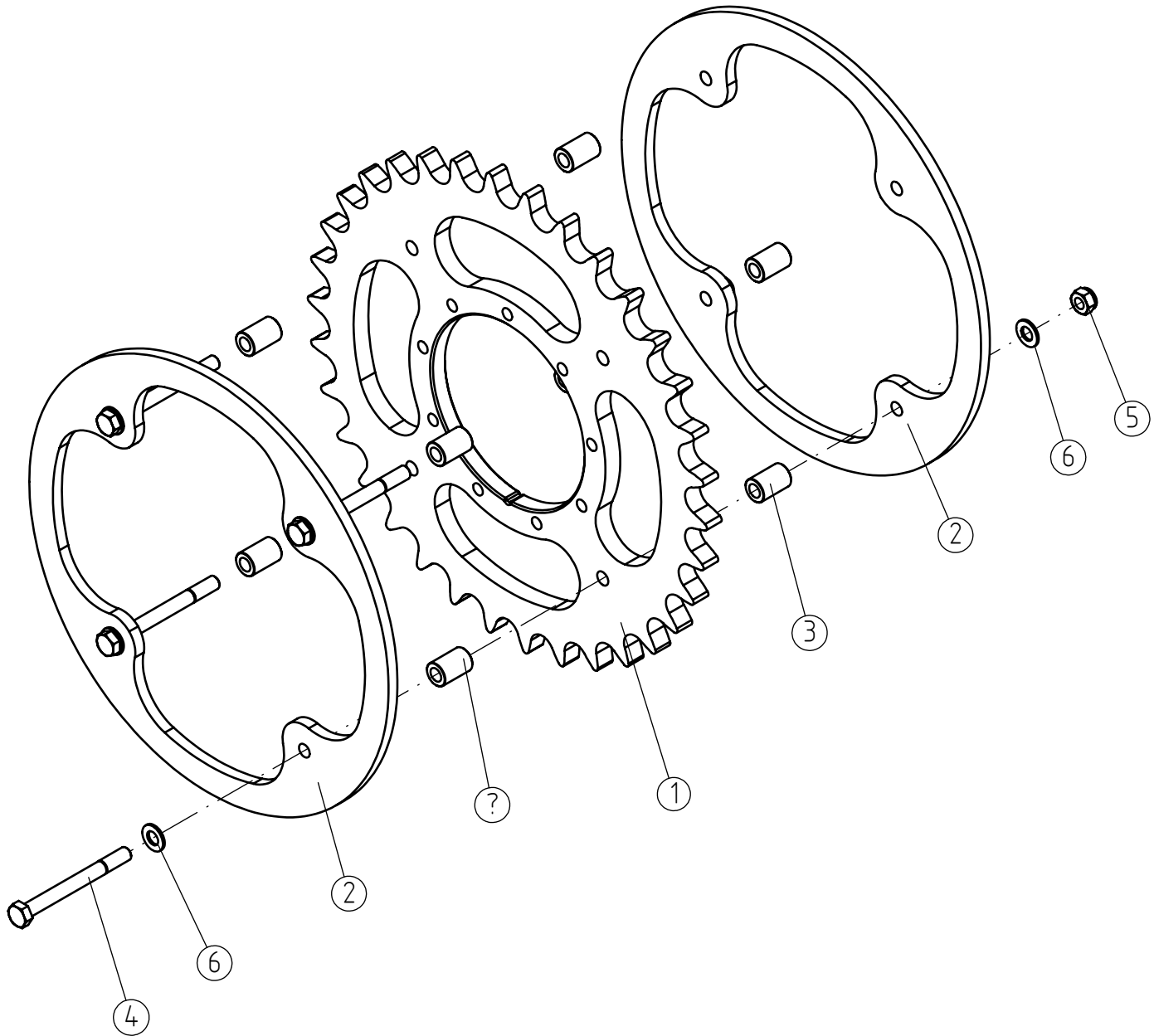
17.12.2024

A454184 DRIVE MOTOR ASSEMBLY

REF	PART NO	QTY	DESCRIPTION	NOTES	PAGE
1	A454825	1	WHEEL, DRIVE MOTOR		14
2	A446003	1	DRIVE MOTOR		-
2.1	A440002	1	EXTENSION FITTING 1/4"		-
3	A455016	1	COVER PLATE, DRIVE MOTOR		-
4	73959	2	BANJO BOLT R 1/2"	120 Nm	-
5	64557	2	BANJO BOLT R 1/4"	45 Nm	-
6	73047	4	USIT SEAL RING R/12"		-
7	73757	4	USIT COMPRESSION R1/4"		-
8	74832	9	HEXAGONAL HEAD SCREW M12*40	80 Nm	-
9	74846	9	HEXAGONAL HEAD SCREW M12*30 DIN912	80 Nm	-
10	A429197	2	HEXAGONAL SERRATED SCREW M8*12 W. FLANGE		-
11	71691	18	WASHER M12 A13 DIN 125		-

17.12.2024

A454825 WHEEL, DRIVE MOTOR



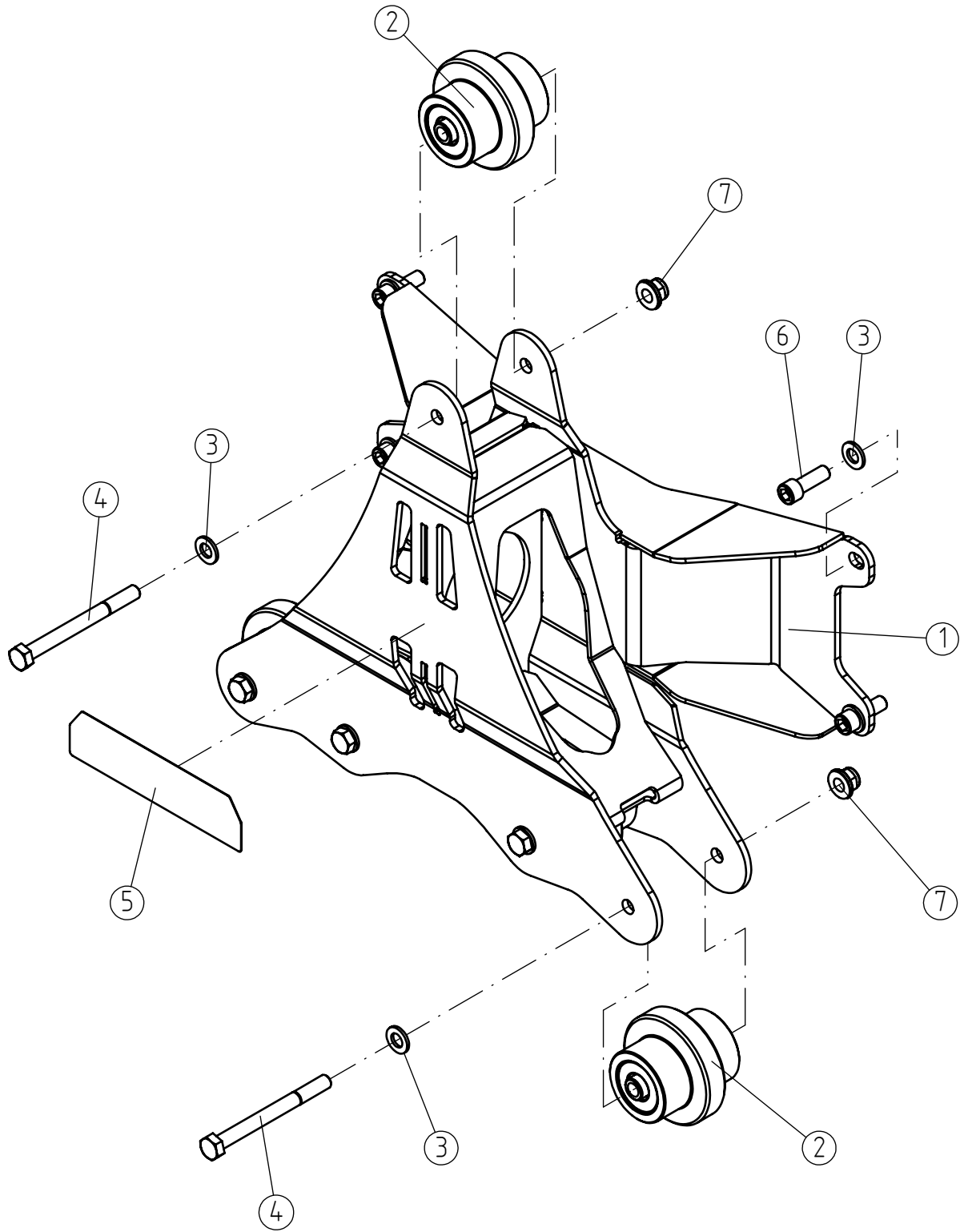
17.12.2024

A454825 WHEEL, DRIVE MOTOR

REF	PART NO	QTY	DESCRIPTION	NOTES	PAGE
1	A454826	1	SPROCKET WHEEL, DRIVE WHEEL		-
2	A420605	2	SIDE PLATE DRIVE WHEEL RUBBER TRACKS		-
3	A454824	8	SPACER SLEEVE, WHEEL		-
4	A456519	4	HEXAGONAL SCREW M14*140 DIN 931		-
5	72327	4	HEXAGONAL NUT M 14 NYLOC DIN 985		-
6	73384	8	WASHER M14 A15 DIN 125 ZN		-

17.12.2024

A448814 TRACK TIGHTENER ASSEMBLY LEGUAN 220



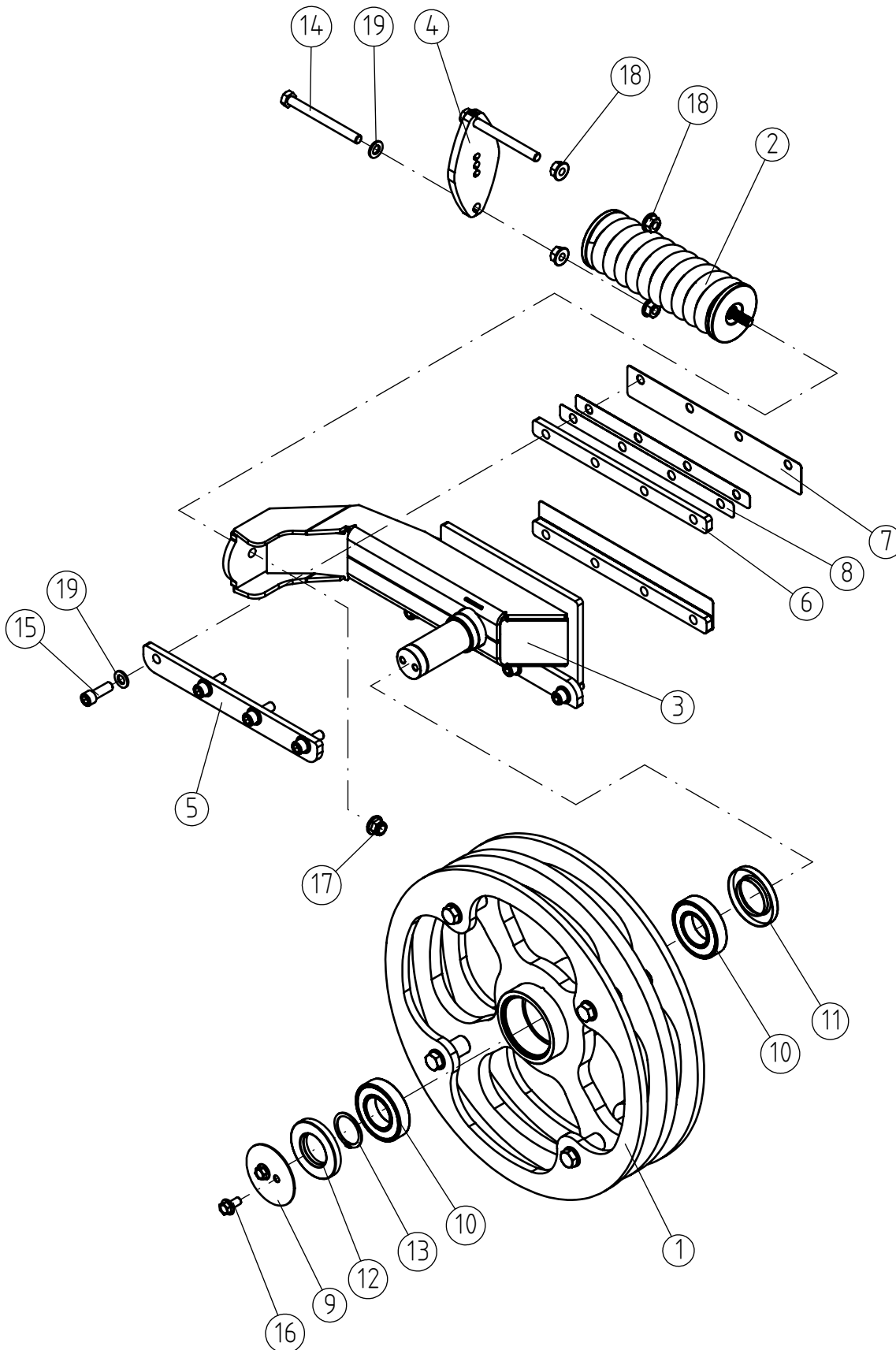
17.12.2024

A448814 TRACK TIGHTENER ASSEMBLY LEGUAN 220

REF	PART NO	QTY	DESCRIPTION	NOTES	PAGE
1	A450853	1	TRACK FRAME		-
2	A453353	5	ROLLER ASSEMBLY		-
3	71691	9	WASHER M12 A13 DIN 125		-
4	74701	5	HEXAGONAL SCREW M12*130 DIN 931		-
5	A451370	1	DECAL TRACK FRAME		-
6	74876	4	HEXAGONAL HEAD SCREW M12*35 DIN912		-
7	A453357	5	HEXAGONAL NUT M12 NYLOC DIN 6923		-

17.12.2024

A454183 IDLER WHEEL ASSEMBLY



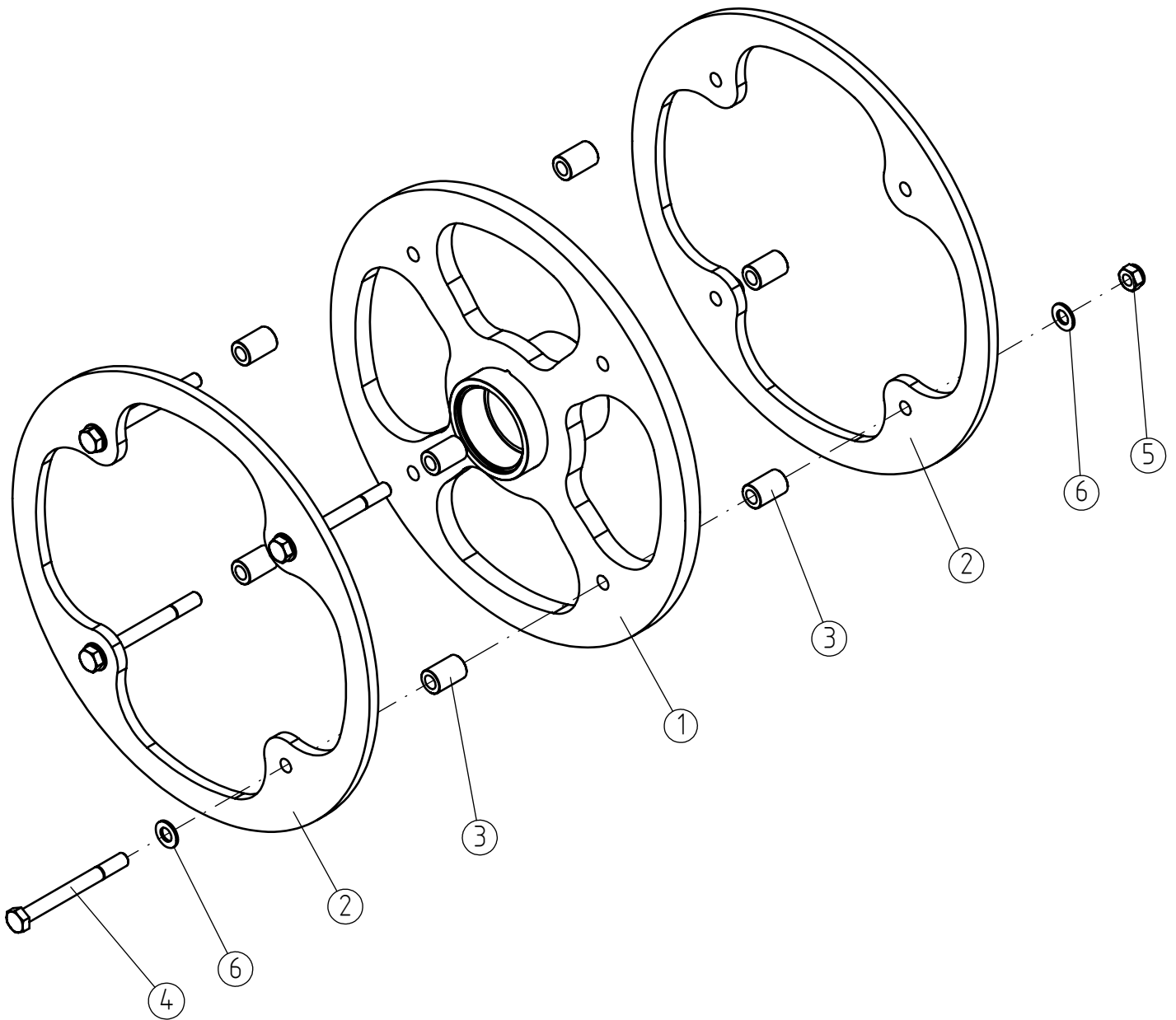
17.12.2024

A454183 IDLER WHEEL ASSEMBLY

REF	PART NO	QTY	DESCRIPTION	NOTES	PAGE
1	A454822	1	IDLER WHEEL		20
2	A454072	1	SPRING ASSEMBLY, TIGHTENER		-
3	A450826	1	TIGHTENER, TRACKS		-
4	A454015	1	TIGHTENER PLATE, TRACKS		-
5	A450827	2	LOCKING PLATE, TIGHTENER		-
6	A450828	2	SPACER, TIGHTENER		-
7	A450829	2	SLIDE PLATE, TIGHTENER		-
8	A451703	6	SHIM PLATE, TIGHTENER		-
9	A451160	1	LOCKING PLATE, WHEEL BEARING		-
10	63423	2	BALL BEARING 6209 2RS		-
11	A454019	1	SHAFT SEAL		-
12	A454020	1	SHAFT SEAL		-
13	73090	1	SEEGER RING A45*1,75		-
14	A451045	2	HEXAGONAL SCREW M12*130 DIN 933		-
15	74876	8	HEXAGONAL HEAD SCREW M12*35 DIN912		-
16	A432196	2	HEXAGONAL SERRATED SCREW M10*20 W. FLANG		-
17	A453357	1	HEXAGONAL NUT M12 NYLOC DIN 6923		-
18	74784	4	HEXAGONAL NUT M12 WITH FLANGE		-
19	71691	10	WASHER M12 A13 DIN 125		-

17.12.2024

A454822 IDLER WHEEL



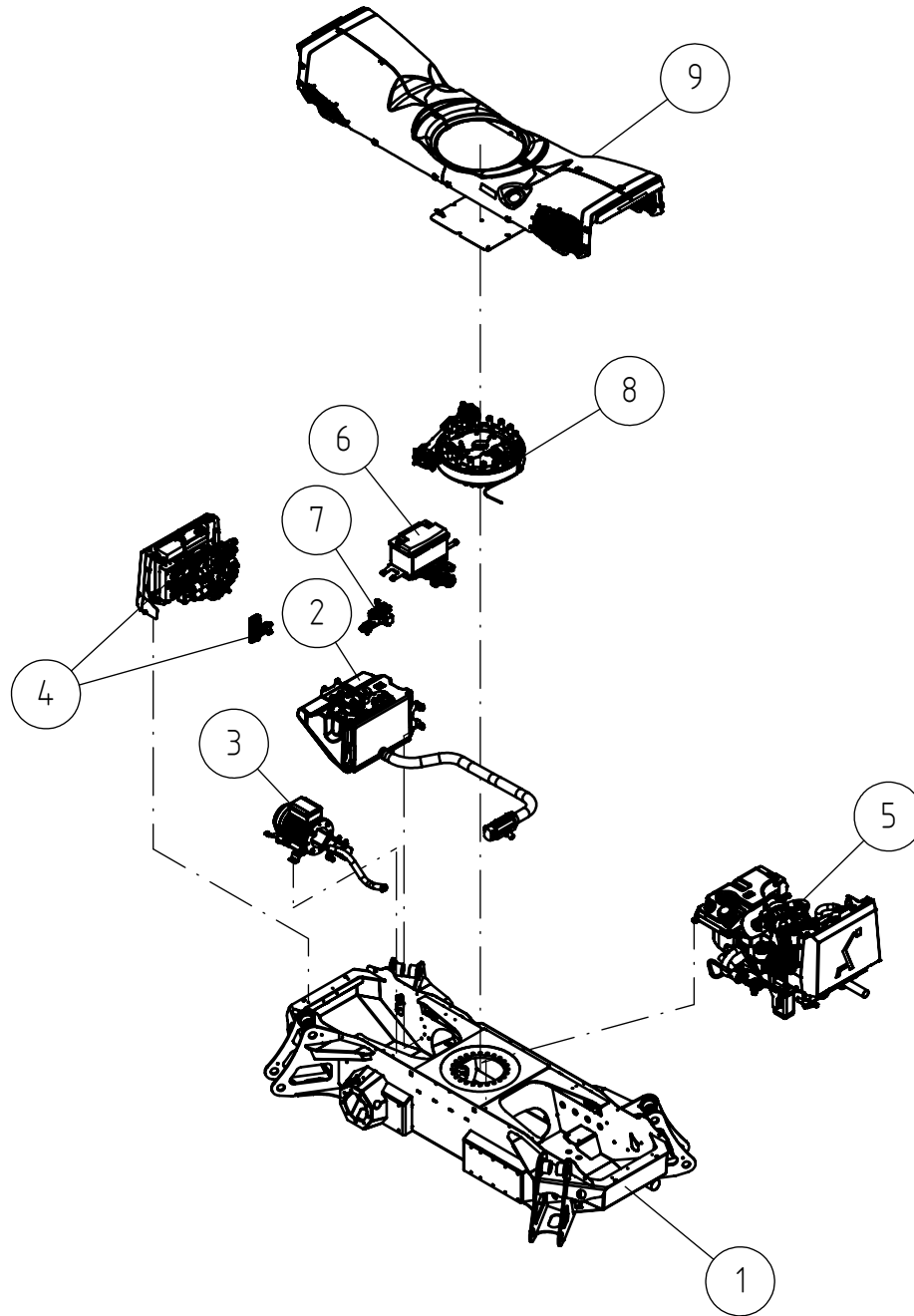
17.12.2024

A454822 IDLER WHEEL

REF	PART NO	QTY	DESCRIPTION	NOTES	PAGE
1	A454827	1	MIDDLE PLATE, IDLER WHEEL		-
2	A420605	2	SIDE PLATE DRIVE WHEEL RUBBER TRACKS		-
3	A454824	8	SPACER SLEEVE, WHEEL		-
4	A456519	4	HEXAGONAL SCREW M14*140 DIN 931		-
5	72327	4	HEXAGONAL NUT M 14 NYLOC DIN 985		-
6	73384	8	WASHER M14 A15 DIN 125 ZN		-

17.12.2024

A464861 CHASSIS ASSEMBLY LEGUAN 195



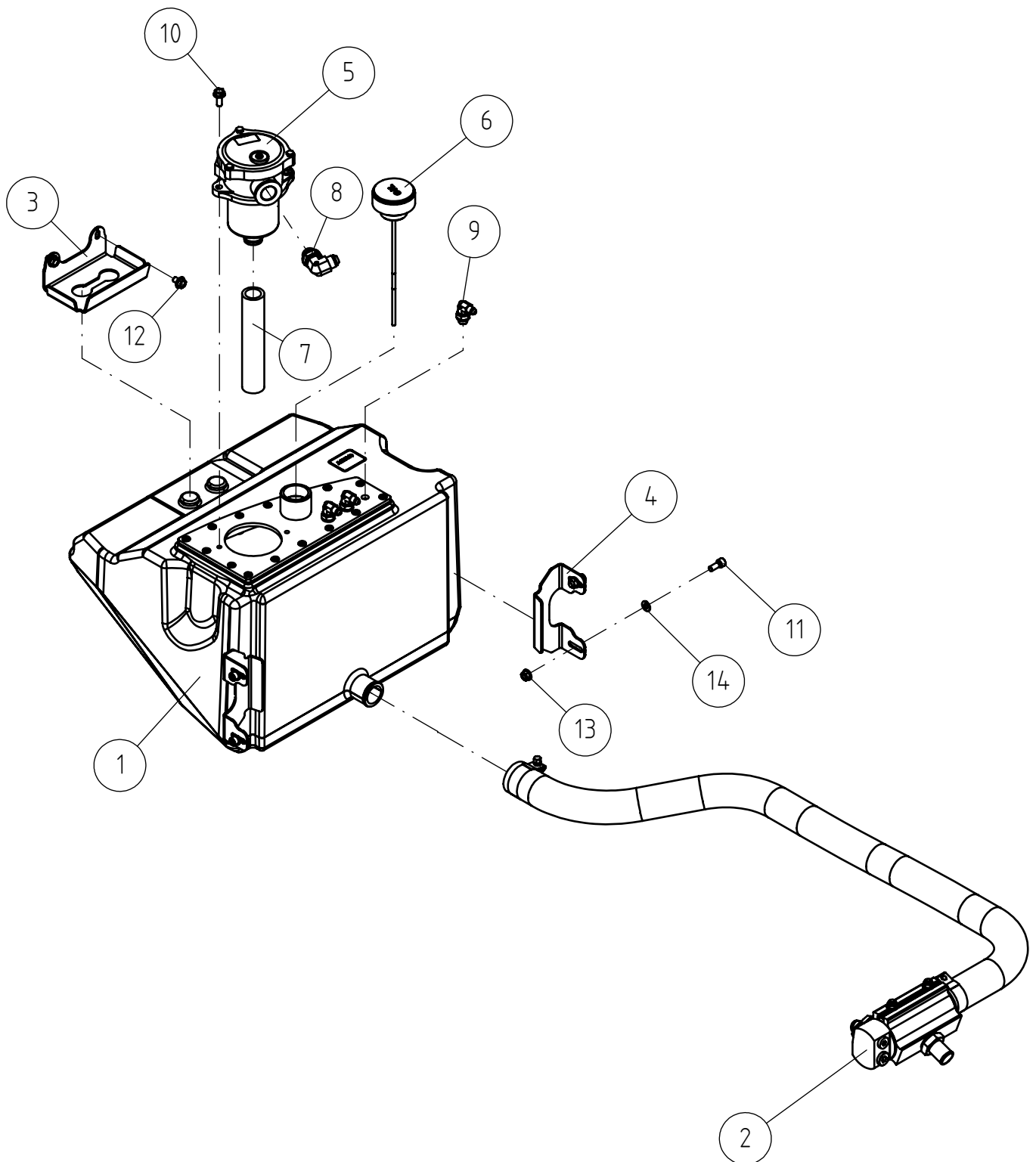
17.12.2024

A464861 CHASSIS ASSEMBLY LEGUAN 195

REF	PART NO	QTY	DESCRIPTION	NOTES	PAGE
1	A463643	1	CHASSIS LEGUAN 195		-
2	A450698	1	HYDRAULIC OIL TANK ASSEMBLY LEGUAN 220		24
3	A449453	1	ELECTRIC MOTOR 230V ASSEMBLY LEGUAN 220		30
3	A450073	1	ELECTRIC MOTOR 120V ASSEMBLY		32
3	A450074	1	EXTRA WEIGHT ASSEMBLY, ELECTRIC MOTOR		34
4	A448251	1	REAR GRILLE ASSEMBLY LEGUAN 220		36
5	A445935	1	ENGINE ASSEMBLY LEGUAN 220		52
6	A450202	1	STARTER BATTERY 12V ASSEMBLY LEGUAN 220		68
7	A446475	1	BATTERY DISCONNECT SWITCH ASSEMBLY		70
8	A446034	1	SLEWING RING ASSEMBLY LEGUAN 220		72
9	A445988	1	COVER PANELS CHASSIS LEGUAN 220		76

17.12.2024

A450698 HYDRAULIC OIL TANK ASSEMBLY LEGUAN 220



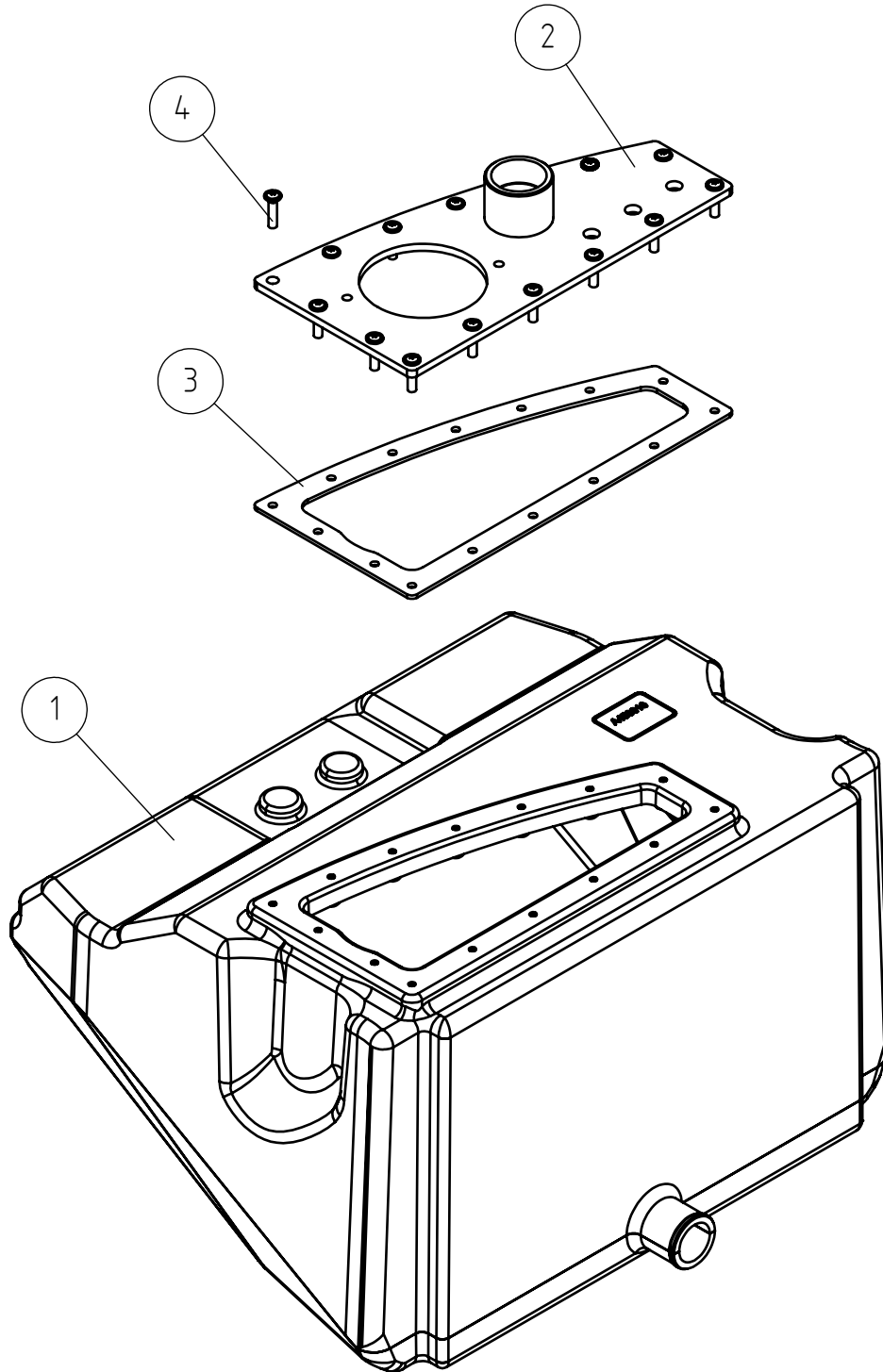
17.12.2024

A450698 HYDRAULIC OIL TANK ASSEMBLY LEGUAN 220

REF	PART NO	QTY	DESCRIPTION	NOTES	PAGE
1	A450026	1	HYDRAULIC OIL TANK LEGUAN 220		26
2	A450025	1	COARSE FILTER ASSEMBLY, OIL TANK		28
3	A450273	1	MOUNTING BRACKET, HYDR. OIL TANK		-
4	A450185	2	MOUNTING BRACKET, HYDR. OIL TANK		-
5	73750	1	HYDR. OIL FILTER OMTF65-20 COMPLETE		-
5.1	74093	1	FILTER CARTRIDGE, HYDR. OIL RETURN FILTE		-
5.2	A427821	1	SEAL KIT HYDRAULIC RETURN OIL FILTER		-
6	A48010	1	DIPSTICK L=230 HYDR. OIL R1 1/4"		-
7	A453012	1	DRAIN HOSE L=180		-
8	64045	1	ELBOW FITTING 90° C40XS12-1/2 /2		-
9	64687	3	ELBOW FITTING 90° C40XS6-1/4"		-
10	A429201	2	HEXAGONAL SERRATED SCREW M8*20 WITH		-
11	74481	4	HEXAGONAL HEAD SCREW M8*20 DIN 912 ZN		-
12	A429197	2	HEXAGONAL SERRATED SCREW M8*12 W. FLANGE		-
13	A450046	4	HEXAGONAL NUT M8 WITH FLANGE		-
14	73122	4	WASHER M8 A8,4 DIN 125 ZN		-

17.12.2024

A450026 HYDRAULIC OIL TANK LEGUAN 220



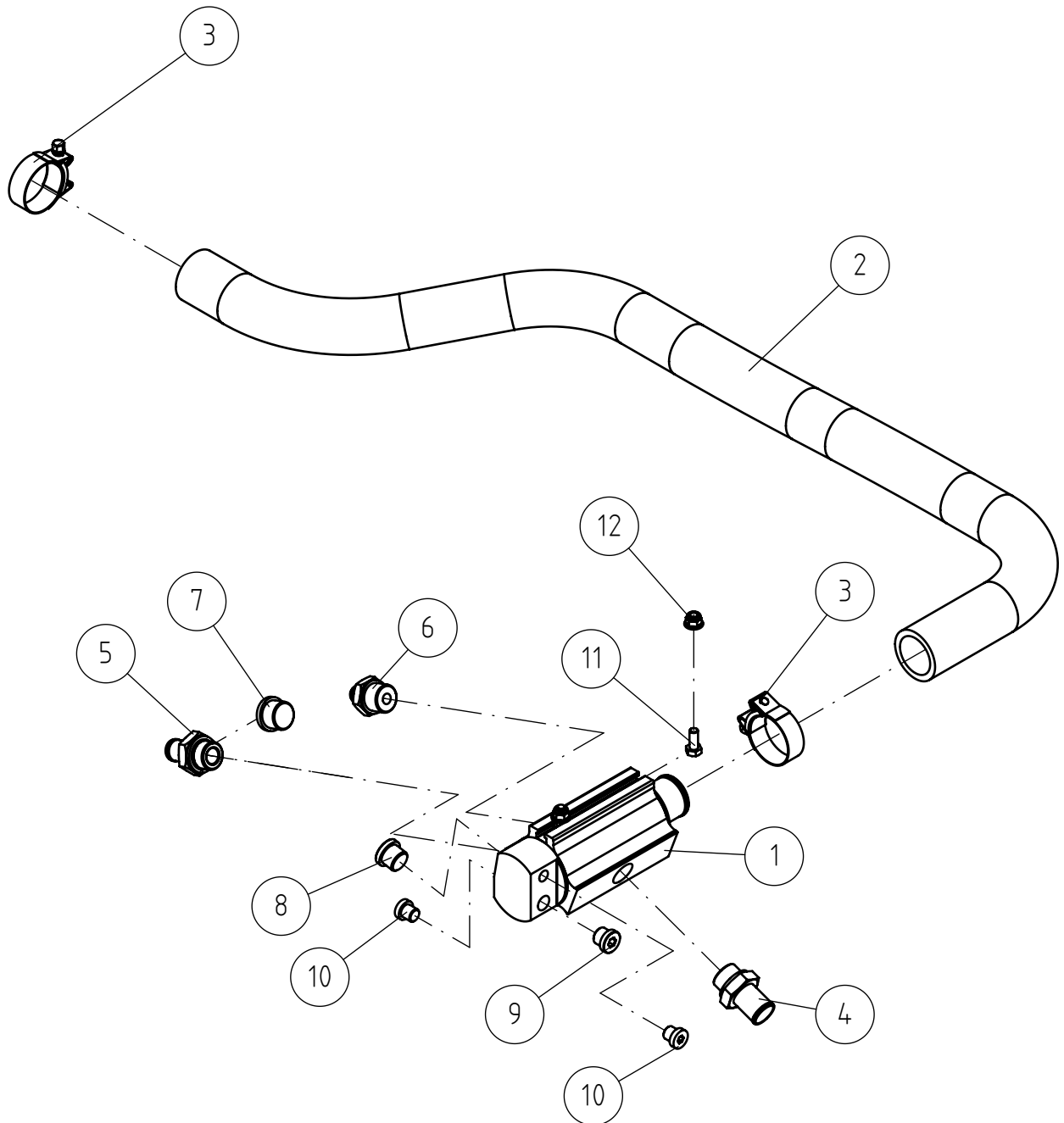
17.12.2024

A450026 HYDRAULIC OIL TANK LEGUAN 220

REF	PART NO	QTY	DESCRIPTION	NOTES	PAGE
1	A450010	1	HYDRAULIC OIL TANK		-
2	A450131	1	LID, HYDR. OIL TANK		-
3	A421520	1	SEAL HYDRAULIC OIL TANK 200 SER2		-
4	A430829	16	TORX SCREW M6*25		-

17.12.2024

A450025 COARSE FILTER ASSEMBLY, OIL TANK



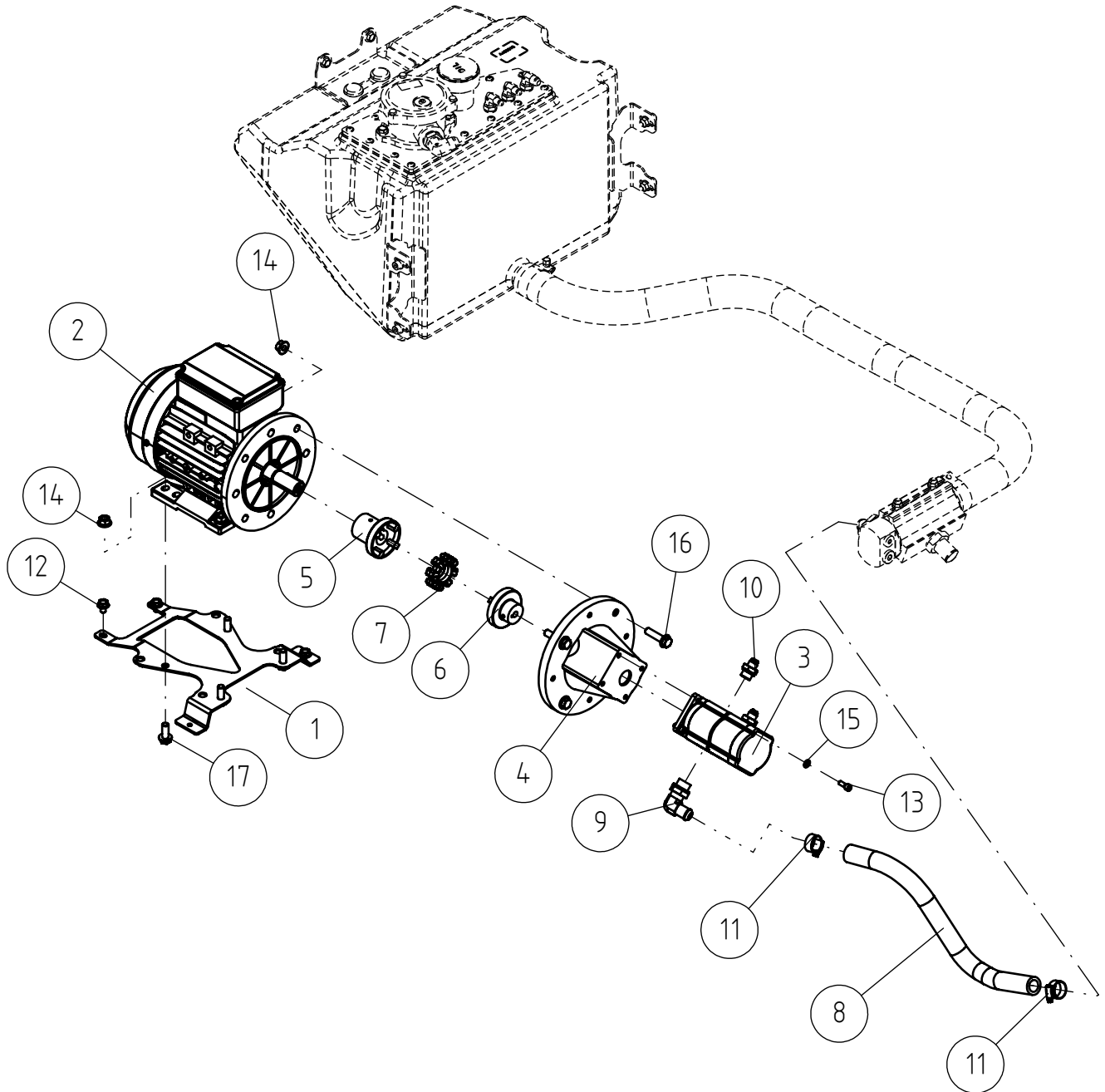
17.12.2024

A450025 COARSE FILTER ASSEMBLY, OIL TANK

REF	PART NO	QTY	DESCRIPTION	NOTES	PAGE
1	A450772	1	HYDRAULIC MANIFOLD ASSEMBLY		-
2	A450144	1	INLET HOSE L=1200 LEGUAN 220		-
3	66013	2	PIPE CLAMP POWER-FLEX S-048-	10 Nm	-
4	66107	1	HOSE BARB R3/4"UK - 25 MM L=58		-
5	66427	1	HOSE BARB R3/4"UK - 20MM		-
6	64544	1	BASIC FITTING F40XS12-3/4		-
7	73768	1	HEXAGONAL PLUG HF-3/4" WITH SEAL		-
8	64174	1	HEXAGONAL DRAIN PLUG HF 1/2" WITH SEAL		-
9	74411	1	HEXAGONAL PLUG HF 3/8" HTUNG		-
10	64700	2	HEXAGONAL PLUG R 1/4"		-
11	72130	2	HEXAGONAL SCREW M8*20		-
12	A447717	2	HEXAGONAL NUT M8 NYLOC DIN 6926		-

17.12.2024

A449453 ELECTRIC MOTOR 230V ASSEMBLY LEGUAN 220



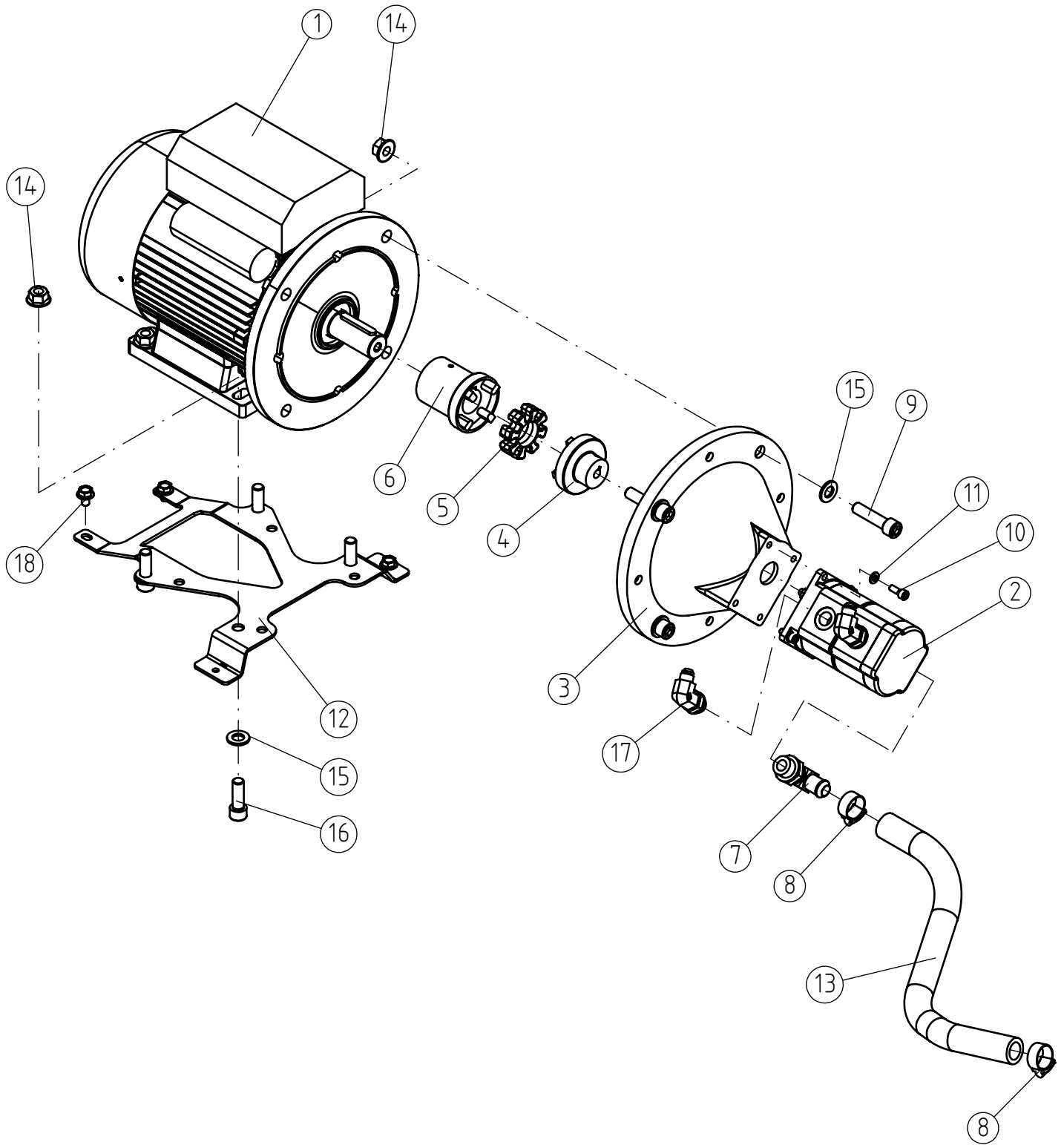
17.12.2024

A449453 ELECTRIC MOTOR 230V ASSEMBLY LEGUAN 220

REF	PART NO	QTY	DESCRIPTION	NOTES	PAGE
1	A450072	1	MOUNTING PLATE ELECTRIC MOTOR		-
2	A461412	1	ELECTRIC MOTOR 220V/2,2 KW		-
3	66283	1	HYDRAULIC PUMP 1.5PE2,1/1,4D LEGUAN		-
4	65264	1	FLANGE, PUMP		-
5	65418	1	COUPLING, MOTOR SIDE		-
6	64372	1	HALF COUPLING F9,3		-
7	64299	1	RUBBER RING OMT R-62 IN COUPLING		-
8	A449454	1	INLET HOSE L=400 F19/29		-
9	A46403	1	SUCTION NIPPLE		-
10	64041	2	BASIC FITTING F40XS10-3/8 /8		-
11	73530	2	HOSE CLAMP 22-32 MM		-
12	A429197	3	HEXAGONAL SERRATED SCREW M8*12 W. FLANGE		-
13	73766	4	HEXAGONAL HEAD SCREW M6*16 DIN 912 2 8.8		-
14	A453082	8	HEXAGONAL NUT M10 DIN 6923		-
15	71680	4	WASHER M6 DIN 125		-
16	A453042	4	HEXAGONAL SCREW M10*40 WITH FLANGE		-
17	A432195	4	HEXAGONAL SERRATED SCREW M10*25 W. FLANG		-

17.12.2024

A450073 ELECTRIC MOTOR 120V ASSEMBLY



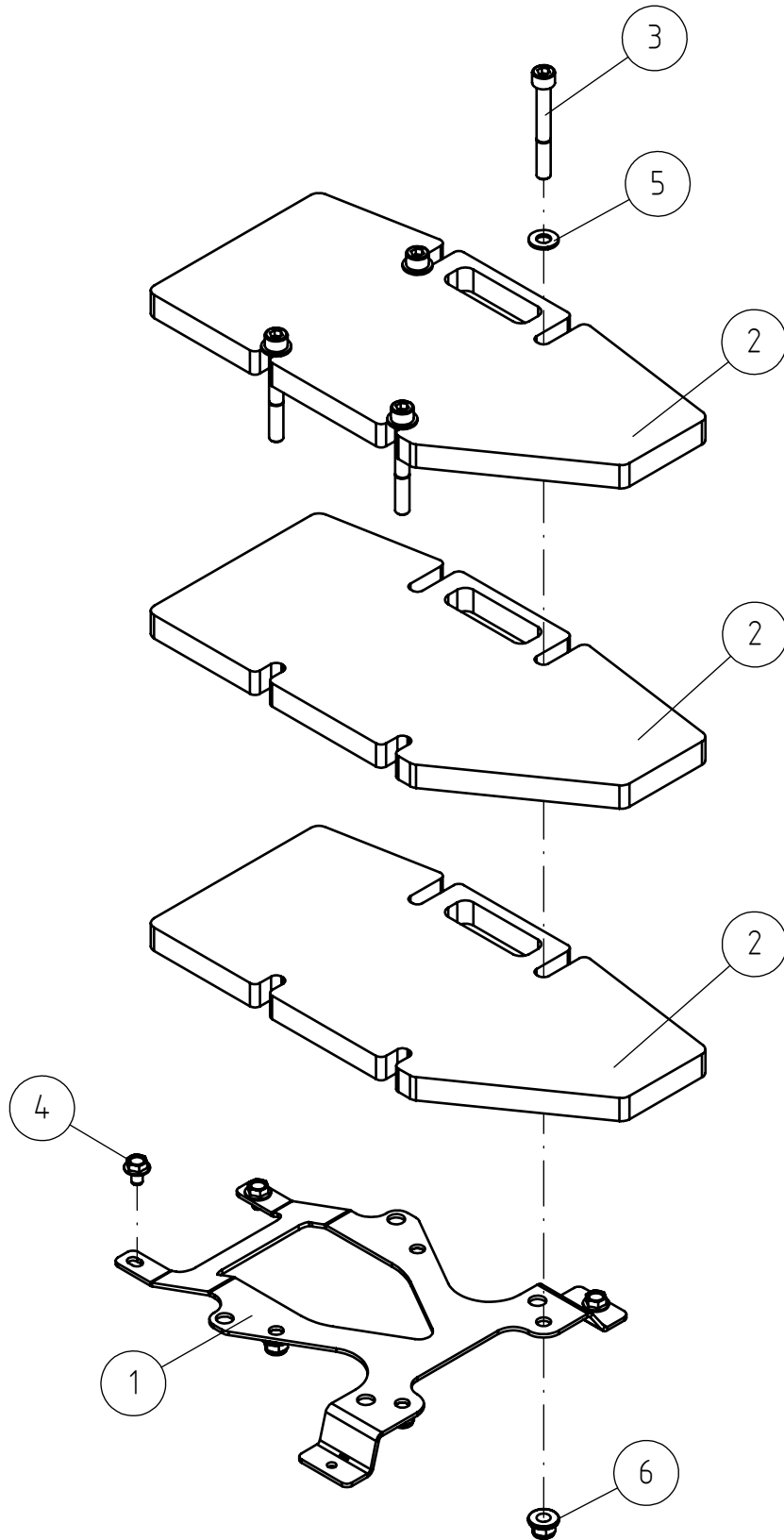
17.12.2024

A450073 ELECTRIC MOTOR 120V ASSEMBLY

REF	PART NO	QTY	DESCRIPTION	NOTES	PAGE
1	A443239	1	ELECTRIC MOTOR 120V 60HZ		-
2	66283	1	HYDRAULIC PUMP 1.5PE2,1/1,4D LEGUAN		-
3	A443241	1	FLANGE, PUMP, ELECTRIC MOTOR- HYDR. PUMP		-
4	64372	1	HALF COUPLING F9,3		-
5	64299	1	RUBBER RING OMT R-62 IN COUPLING		-
6	A443648	1	COUPLING OMT ND 65C		-
7	A46403	1	SUCTION NIPPLE		-
8	73530	2	HOSE CLAMP 22-32 MM		-
9	75058	4	HEXAGONAL HEAD SCREW M12*50 DIN912 2		-
10	73766	4	HEXAGONAL HEAD SCREW M6*16 DIN 912 2 8.8		-
11	71680	4	WASHER M6 DIN 125		-
12	A450072	1	MOUNTING PLATE ELECTRIC MOTOR		-
13	A449454	1	INLET HOSE L=400 F19/29		-
14	A450048	8	HEXAGONAL NUT M12 WITH FLANGE		-
15	71691	8	WASHER M12 A13 DIN 125		-
16	74876	4	HEXAGONAL HEAD SCREW M12*35 DIN912		-
17	64044	2	ELBOW FITTING 90° C40XS10-3/8 /8		-
18	A429197	3	HEXAGONAL SERRATED SCREW M8*12 W. FLANGE		-

17.12.2024

A450074 EXTRA WEIGHT ASSEMBLY, ELECTRIC MOTOR



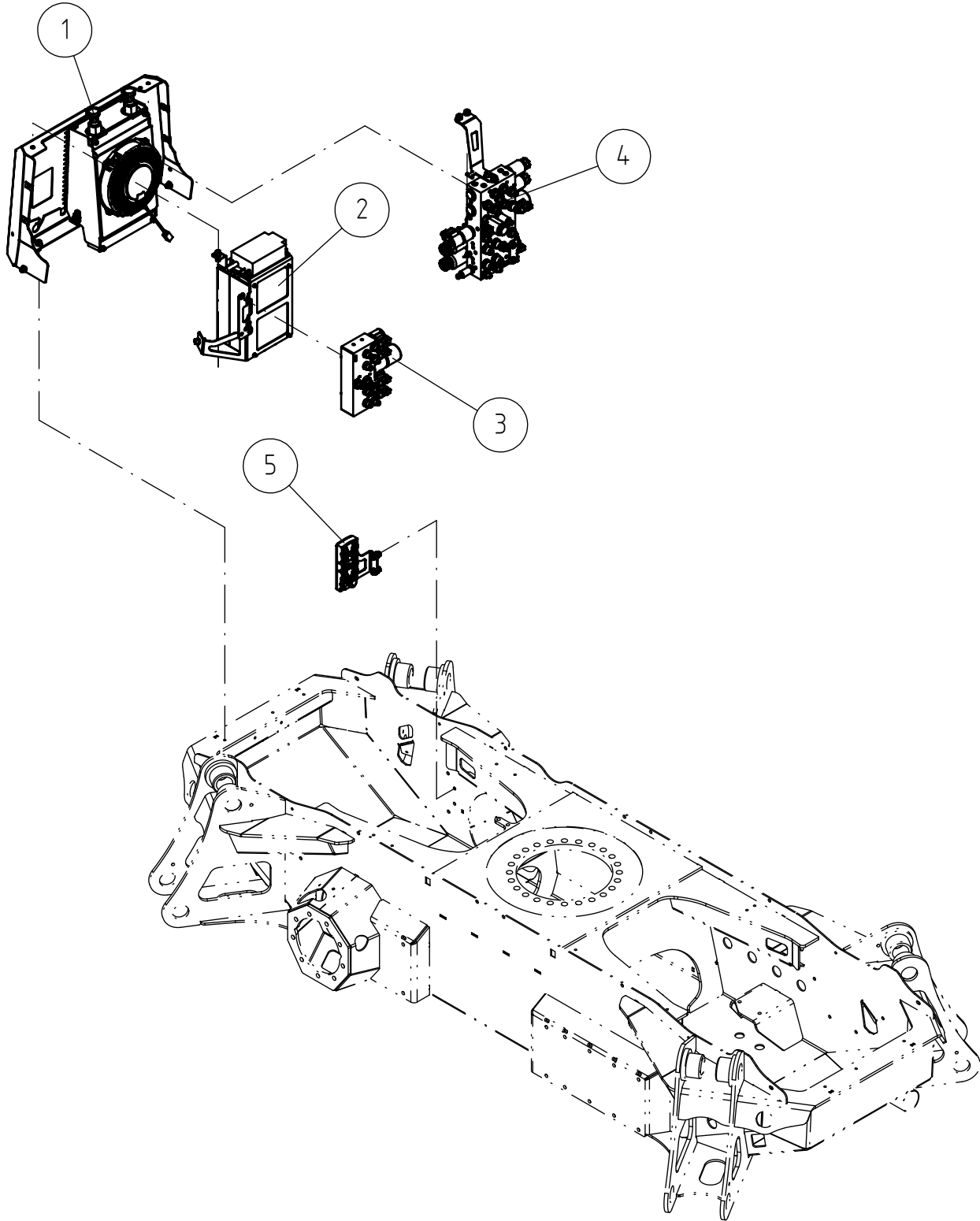
17.12.2024

A450074 EXTRA WEIGHT ASSEMBLY, ELECTRIC MOTOR

REF	PART NO	QTY	DESCRIPTION	NOTES	PAGE
1	A450072	1	MOUNTING PLATE ELECTRIC MOTOR		-
2	A422418	3	EXTRA WEIGHT HYDRAULIC OIL TANK LEGUAN		-
3	A430624	4	HEXAGONAL HEAD SCREW M10*80 DIN 912 2		-
4	A429197	3	HEXAGONAL SERRATED SCREW M8*12 W. FLANGE		-
5	73121	4	WASHER M10 A10,5 DIN 125 ZN		-
6	A453721	4	HEXAGONAL NUT M10 NYLOC DIN 6923		-

17.12.2024

A448251 REAR GRILLE ASSEMBLY LEGUAN 220



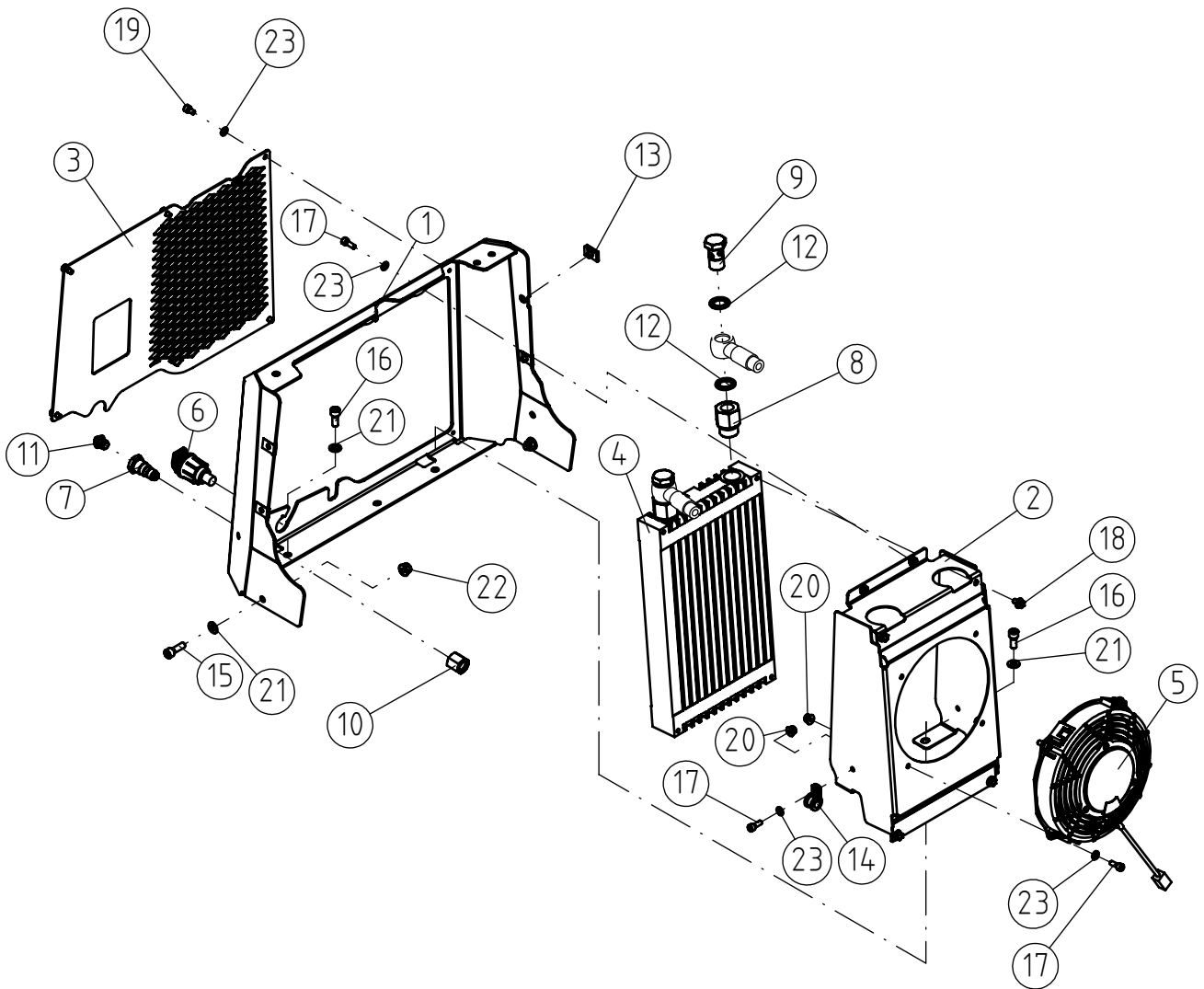
17.12.2024

A448251 REAR GRILLE ASSEMBLY LEGUAN 220

REF	PART NO	QTY	DESCRIPTION	NOTES	PAGE
1	A445987	1	HYDRAULIC OIL COOLER ASSEMBLY LEGUAN 220		38
2	A450978	1	CONNECTION BOX 230V ASSEMBLY		40
3	A450075	1	CONTROL VALVE OUTTRIGGERS LEGUAN 220		46
4	A468234	1	HYDRAULIC MANIFOLD ASSEMBLY, PUMP		48
5	A453079	1	SPLITTER BOX ASSEMBLY		50

17.12.2024

A445987 HYDRAULIC OIL COOLER ASSEMBLY LEGUAN 220



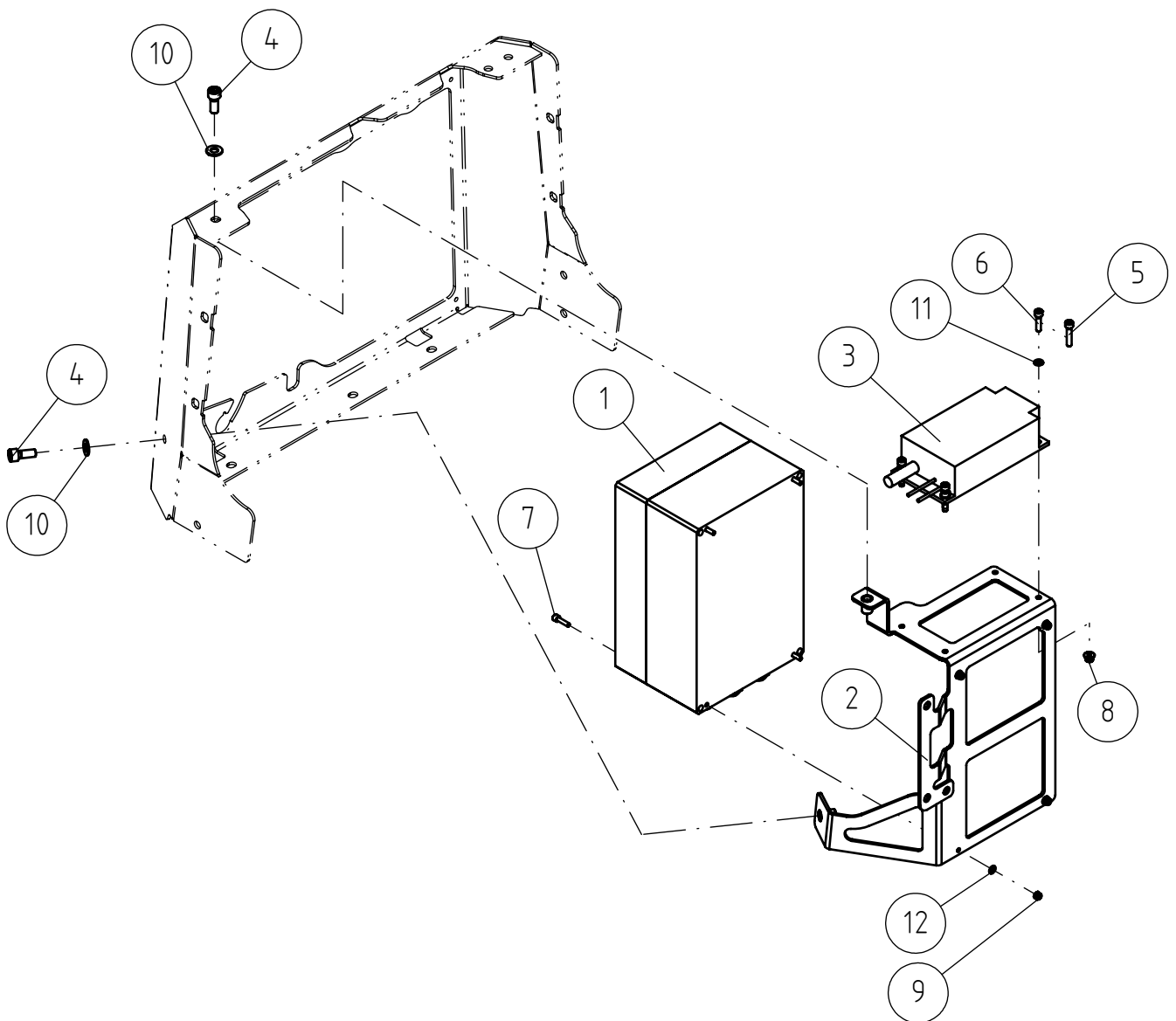
17.12.2024

A445987 HYDRAULIC OIL COOLER ASSEMBLY LEGUAN 220

REF	PART NO	QTY	DESCRIPTION	NOTES	PAGE
1	A450940	1	FRAME REAR GRILLE LEGUAN 220		-
2	A449438	1	FAN HOUSING HYDR. OIL COOLER L220		-
3	A451437	1	REAR GRILLE LEGUAN 220		-
4	64939	1	OIL COOLER CELL 350*205*45		-
5	65953	1	FAN F190, 760I		-
6	65862	1	SOCKET DEFA MINIPLUG		-
7	A449387	1	LEAD-THROUGH FITTING G1/4" SK - 9/16" -		-
8	64172	2	REDUCER FITTING RI 3/4" - EDX 1/2"		-
9	73959	2	BANJO BOLT R 1/2"	120 Nm	-
10	64052	1	BINDING NUT BTXS12		-
11	A454927	1	PLASTIC PLUG R1/4"		-
12	73047	4	USIT SEAL RING R/12"		-
13	74807	4	SPEED NUT M6, FOR 0.5-4.0 MM PLATE		-
14	74570	1	PIPE CLAMP F11 MM		-
15	71884	2	HEXAGONAL HEAD SCREW M 8*25 DIN 912 2		-
16	74481	3	HEXAGONAL HEAD SCREW M8*20 DIN 912 ZN		-
17	73766	7	HEXAGONAL HEAD SCREW M6*16 DIN 912 2 8.8		-
18	A431969	4	HEXAGONAL SERRATED SCREW M6*10 W. FLANG		-
19	75089	5	HEXAGONAL HEAD SCREW M6*10 DIN912 2		-
20	A450669	5	NUT M6 NYLOC WITH FLANGE		-
21	73122	5	WASHER M8 A8,4 DIN 125 ZN		-
22	A447717	2	HEXAGONAL NUT M8 NYLOC DIN 6926		-
23	71680	12	WASHER M6 DIN 125		-

17.12.2024

A450978 CONNECTION BOX 230V ASSEMBLY



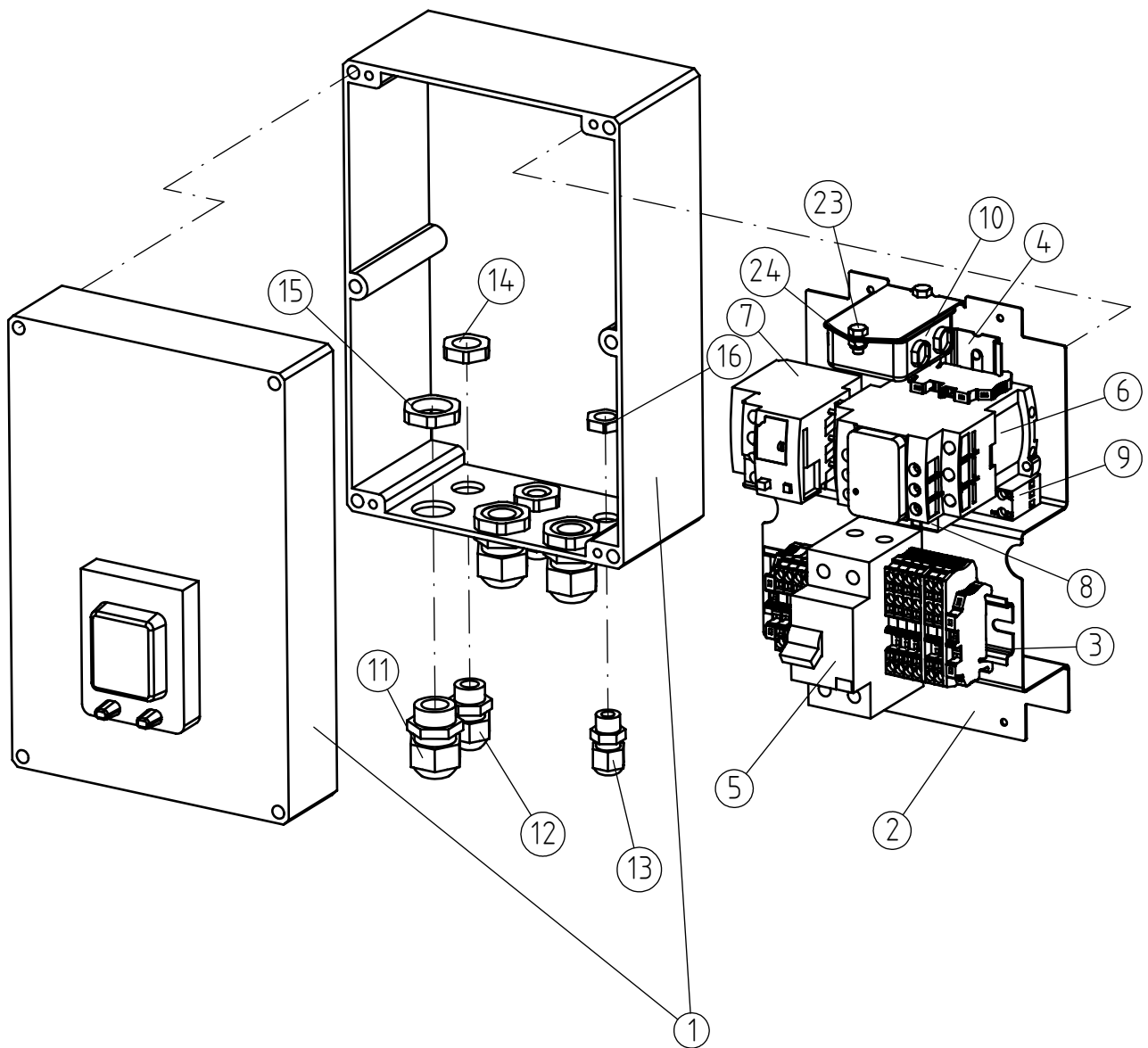
17.12.2024

A450978 CONNECTION BOX 230V ASSEMBLY

REF	PART NO	QTY	DESCRIPTION	NOTES	PAGE
1	A450274	1	CONNECTION BOX 230V EQUIPPED LEGUAN 220		42
1	A458415	1	CONNECTION BOX 120V ASSEMBLY		44
2	A455674	1	MOUNTING BRACKET, 230V BOX		-
3	65183	1	BATTERY CHARGER 12V/6A 100W		-
4	74481	2	HEXAGONAL HEAD SCREW M8*20 DIN 912 ZN		-
5	75095	4	HEXAGONAL HEAD SCREW M5*25 DIN912 2		-
6	75094	4	HEXAGONAL HEAD SCREW M5*20 DIN912 2		-
7	74469	4	HEXAGONAL HEAD SCREW M4*16 DIN 912 ZN		-
8	A447716	4	HEXAGONAL NUT M5 NYLOC DIN 6926		-
9	72313	4	HEXAGONAL NUT M4 DIN 985 NYLOC		-
10	73122	2	WASHER M8 A8,4 DIN 125 ZN		-
11	74448	4	WASHER M5 A5,3 DIN 125 ZN		-
12	75097	4	WASHER M4 A4,3 DIN 125		-

17.12.2024

A450274 CONNECTION BOX 230V EQUIPPED LEGUAN 220



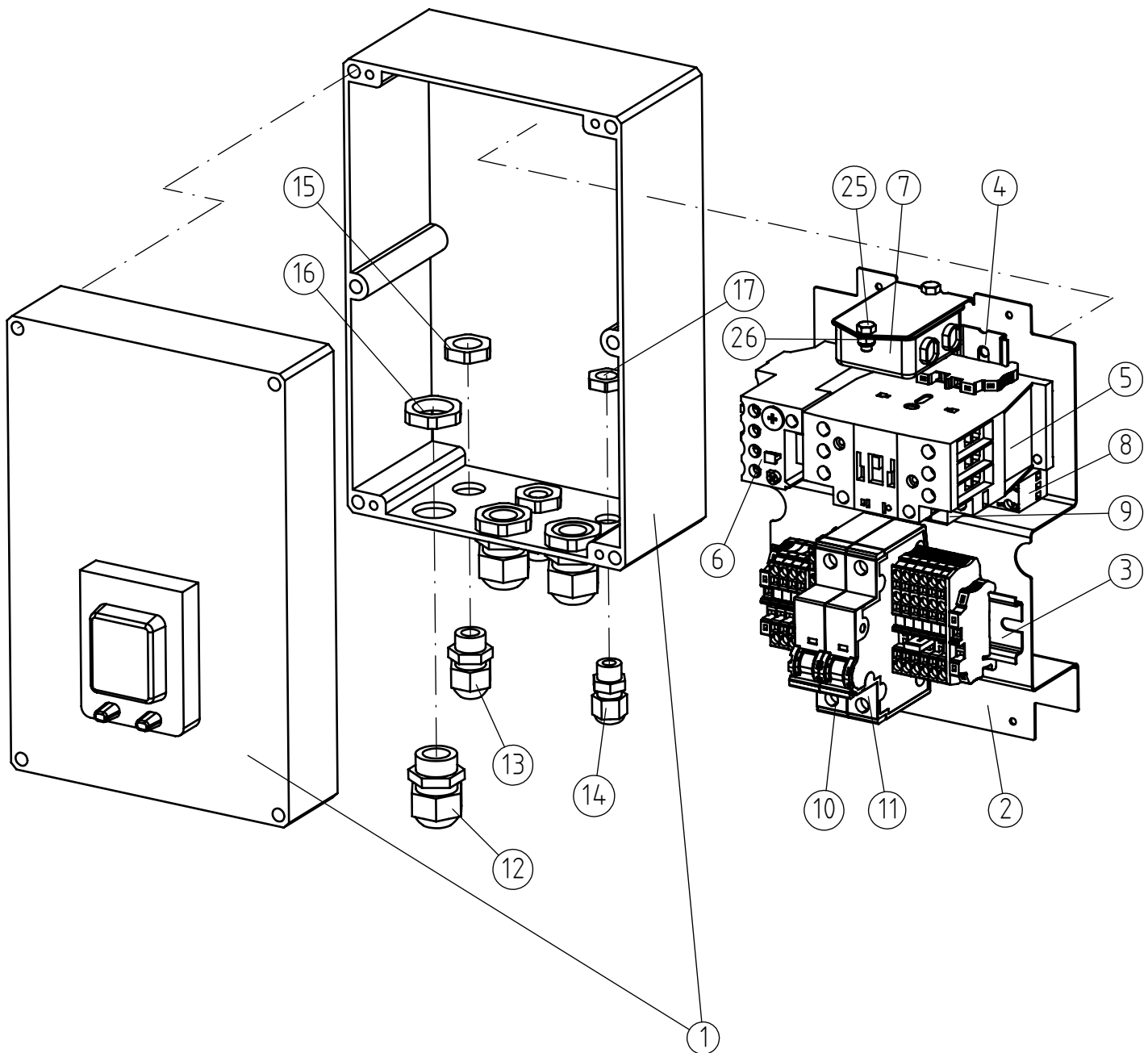
17.12.2024

A450274 CONNECTION BOX 230V EQUIPPED LEGUAN 220

REF	PART NO	QTY	DESCRIPTION	NOTES	PAGE
1	A410187	1	BOX		-
1.1	A438611	1	LID CONTROL BOX		-
2	A410188	1	MOUNTING PLATE		-
3	A410189	1	DIN RAIL		-
4	A418735	1	DIN RAIL		-
5	A431587	1	RESIDUAL CURRENT DEVICE 25A 30MA		-
6	A462139	1	CONTACTOR MONITORING DEVICE		-
7	A462138	1	RELAY, OVERLOAD PROTECTION		-
8	65867	1	RELAY C10-A10X/AC230V		-
9	65870	1	RELAY SOCKET RELECO S10		-
10	66116	1	NETWORK FILTER (EMI) 250VAC/50HZ/6A		-
11	74891	3	CAP NUT CABLE GLAND, PLASTIC PG13.5		-
12	74889	2	CAP NUT CABLE GLAND, PLASTIC PG9		-
13	A425080	1	CABLE GLAND M12		-
14	74894	2	LOCK NUT PG9		-
15	74896	3	LOCK NUT PG13.5		-
16	A435906	1	LOCK NUT M12X1.5		-
17	A435219	1	TERMINAL BLOCK, ST 2,5 TWIN PE		-
18	A435218	4	TERMINAL BLOCK, ST 2,5 TWIN		-
19	A435217	1	TERMINAL BLOCK, ST 2,5		-
20	A442411	3	END PLATE CLIPFIX 35-5		-
21	A435220	1	END COVER, D-ST 2,5 TWIN		-
22	A442430	1	END COVER, D-ST 2,5		-
23	75160	2	HEXAGONAL SCREW M5*10 DIN 933		-
24	72315	2	HEXAGONAL NUT M5 NYLOC DIN 985		-

17.12.2024

A458415 CONNECTION BOX 120V ASSEMBLY



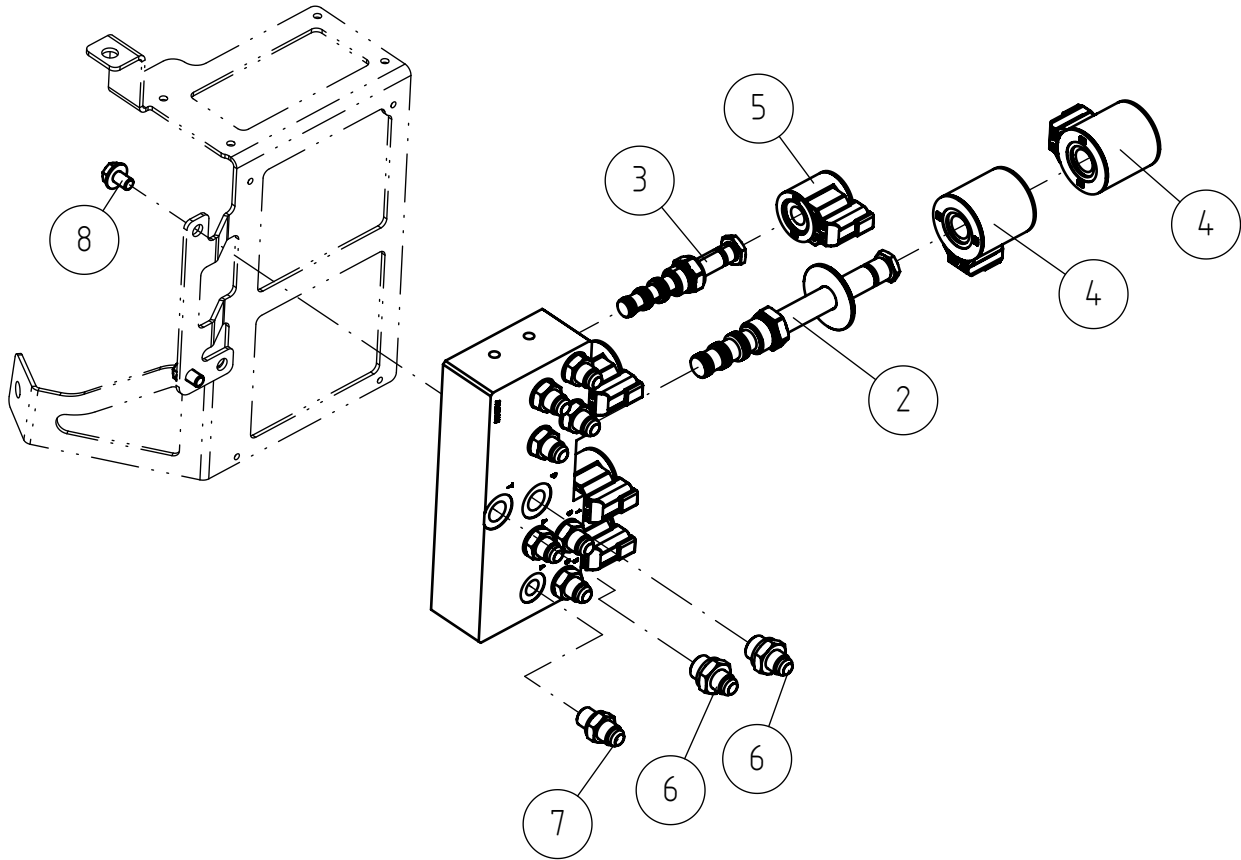
17.12.2024

A458415 CONNECTION BOX 120V ASSEMBLY

REF	PART NO	QTY	DESCRIPTION	NOTES	PAGE
1	A410187	1	BOX		-
1.1	A438611	1	LID CONTROL BOX		-
2	A410188	1	MOUNTING PLATE		-
3	A410189	1	DIN RAIL		-
4	A418735	1	DIN RAIL		-
5	A443789	1	CONTACTOR MONITORING DEVICE DILM25-10		-
6	A443790	1	OVERLOAD RELAY ZB32-24		-
7	66116	1	NETWORK FILTER (EMI) 250VAC/50HZ/6A		-
8	65870	1	RELAY SOCKET RELECO S10		-
9	A443783	1	RELAY C10-A10X/AC120V		-
10	A443793	1	RESIDUAL CURRENT CIRCUIT BREAKER B20		-
11	A443792	1	RESIDUAL CURRENT CIRCUIT BREAKER B10		-
12	74891	3	CAP NUT CABLE GLAND, PLASTIC PG13.5		-
13	74889	2	CAP NUT CABLE GLAND, PLASTIC PG9		-
14	A425080	1	CABLE GLAND M12		-
15	74894	2	LOCK NUT PG9		-
16	74896	3	LOCK NUT PG13.5		-
17	A435906	1	LOCK NUT M12X1.5		-
18	A435220	2	END COVER, D-ST 2,5 TWIN		-
19	A435218	2	TERMINAL BLOCK, ST 2,5 TWIN		-
20	A442430	1	END COVER, D-ST 2,5		-
21	A435219	1	TERMINAL BLOCK, ST 2,5 TWIN PE		-
22	A435217	1	TERMINAL BLOCK, ST 2,5		-
23	A442411	3	END PLATE CLIPFIX 35-5		-
24	A435224	1	PLUG-IN BRIDGE FBS 2-5		-
25	75160	2	HEXAGONAL SCREW M5*10 DIN 933		-
26	72315	2	HEXAGONAL NUT M5 NYLOC DIN 985		-

17.12.2024

A450075 CONTROL VALVE OUTRIGGERS LEGUAN 220



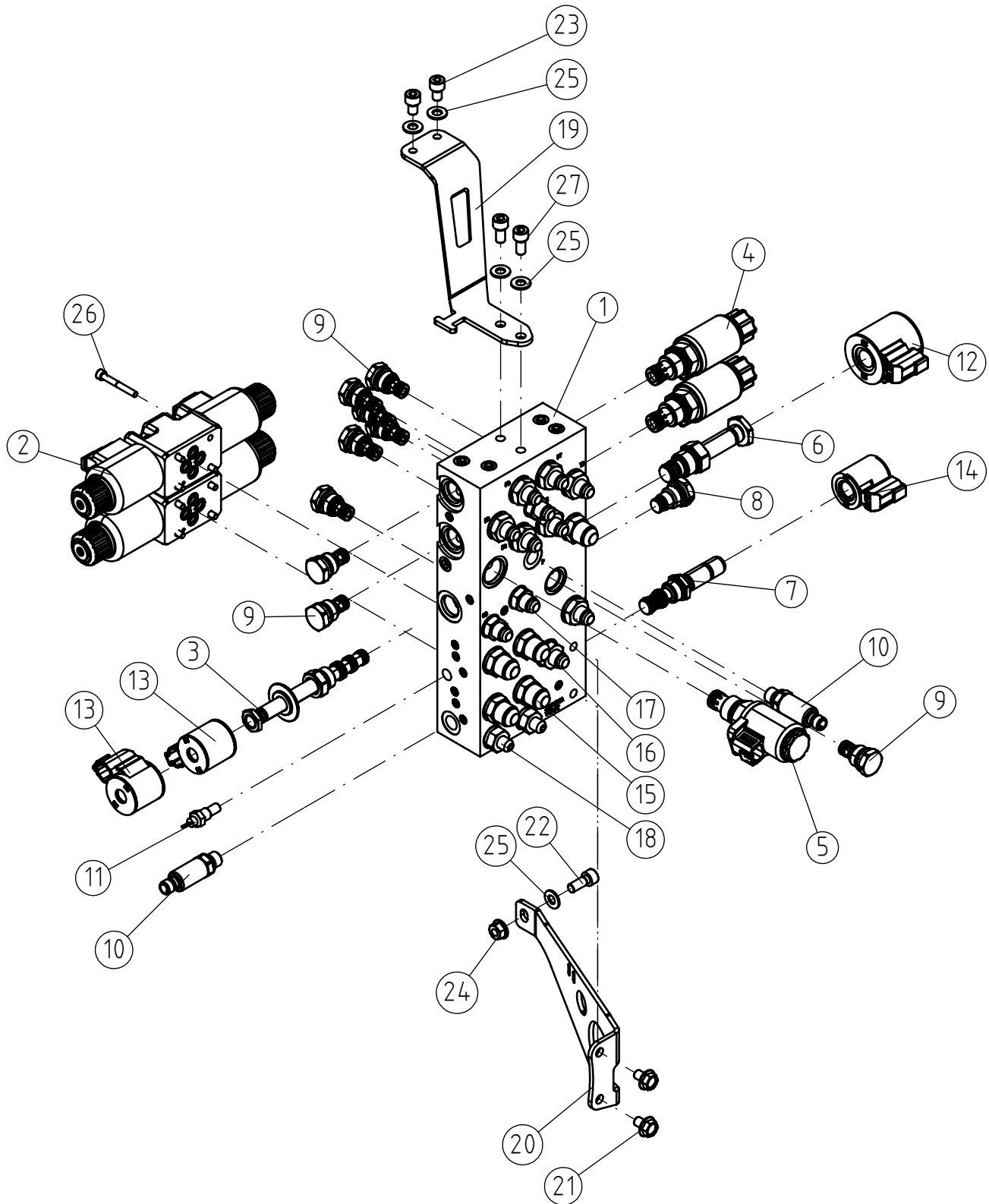
17.12.2024

A450075 CONTROL VALVE OUTRIGGERS LEGUAN 220

REF	PART NO	QTY	DESCRIPTION	NOTES	PAGE
1	A429607	1	SUBPLATE OUTRIGGERS LEGUAN 135 NEO		-
2	66457	1	SOLENOID VALVE 4-WAY 3-POSITION MOTOR SP	Install torque 40 Nm, end nut 8 Nm	-
2.1	A443088	1	SEAL KIT VALVE CARTRIDGE SK10-4N-MMM		-
3	A434708	4	DIRECTIONAL VALVE CARTRIDGE 4/2	Install torque 35 Nm, end nut 6 Nm	-
3.1	A443085	1	SEAL KIT VALVE CARTRIDGE SK08-4N-MMM		-
4	A444555	2	SOLENOID 12V DEUTSCH CONNECTOR 10		-
5	A444551	4	SOLENOID 12V DEUTSCH CONNECTOR 08		-
6	64041	2	BASIC FITTING F40XS10-3/8 /8		-
7	64059	8	BASIC FITTING F40XS10-1/4		-
8	A429197	2	HEXAGONAL SERRATED SCREW M8*12 W. FLANGE		-

17.12.2024

A468234 HYDRAULIC MANIFOLD ASSEMBLY, PUMP



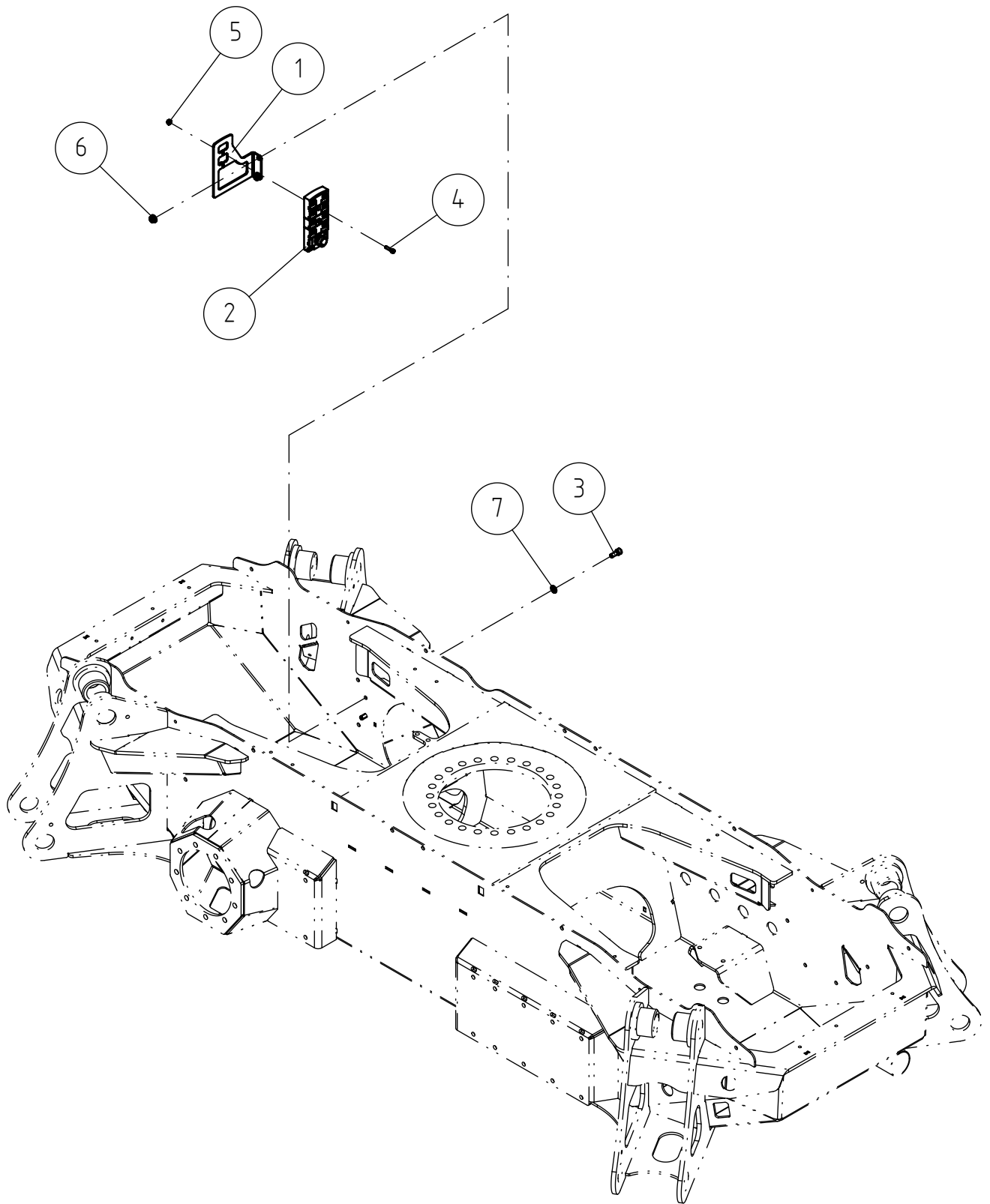
17.12.2024

A468234 HYDRAULIC MANIFOLD ASSEMBLY, PUMP

REF	PART NO	QTY	DESCRIPTION	NOTES	PAGE
1	A464739	1	HYDRAULIC MANIFOLD, CETOP, PUMP / DRIVE		-
2	A465953	2	PROPORTIONAL VALVE 4/3	Install torque 5 Nm	-
3	A445539	1	PROPORTIONAL VALVE CARTRIDGE 4/3	Install torque 35 Nm, end nut 6 Nm	-
4	66459	2	SOLENOID VALVE 2-WAY 2-POSITION	Install torque 50 Nm, end nut 5 Nm	-
5	A447323	1	SOLENOID VALVE 2-WAY	Install torque 50 Nm, end nut 5 Nm	-
6	A434706	1	VALVE CARTRIDGE, PRESSURE RELIEF	Install torque 35 Nm, end nut 6 Nm	-
6.1	A443086	1	SEAL KIT VALVE CARTRIDGE		-
7	A466154	1	VALVE CARTRIDGE, PRESSURE RELIEF	Install torque 25 Nm, end nut 6 Nm	-
8	A468251	1	CAVITY PLUG 2-WAY	Install torque 45 Nm	-
9	A467410	9	CHECK VALVE CARTRIDGE	Install torque 45 Nm	-
10	66039	2	PRESSURE SENSOR 600BAR	Install torque 35 Nm	-
11	64486	1	SENSOR, TEMP. GAUGE COBO	Install torque 10 Nm	-
12	A444555	1	SOLENOID 12V DEUTSCH CONNECTOR 10		-
13	A444551	2	SOLENOID 12V DEUTSCH CONNECTOR 08		-
14	A467420	1	SOLENOID 12V DEUTSCH CONNECTOR		-
15	64042	5	BASIC FITTING F40XS12-3/8 /8		-
16	64041	8	BASIC FITTING F40XS10-3/8 /8		-
17	64059	3	BASIC FITTING F40XS10-1/4		-
18	64678	2	BASIC FITTING F40XS6-1/4"		-
19	A464855	1	MOUNTING BRACKET UPPER, PUMP MANIFOLD		-
20	A464854	1	MOUNTING BRACKET, PUMP MANIFOLD		-
21	A429197	2	HEXAGONAL SERRATED SCREW M8*12 W. FLANGE		-
22	74481	1	HEXAGONAL HEAD SCREW M8*20 DIN 912 ZN		-
23	74932	2	HEXAGONAL HEAD SCREW M8*12		-
24	A450046	1	HEXAGONAL NUT M8 WITH FLANGE		-
25	73122	5	WASHER M8 A8,4 DIN 125 ZN		-
26	A460342	8	HEXAGONAL HEAD SCREW ZN M5*40 DIN 912		-
27	74480	2	HEXAGON. HEAD SCREW M 8* 16 DIN 912 ZN		-

17.12.2024

A453079 SPLITTER BOX ASSEMBLY



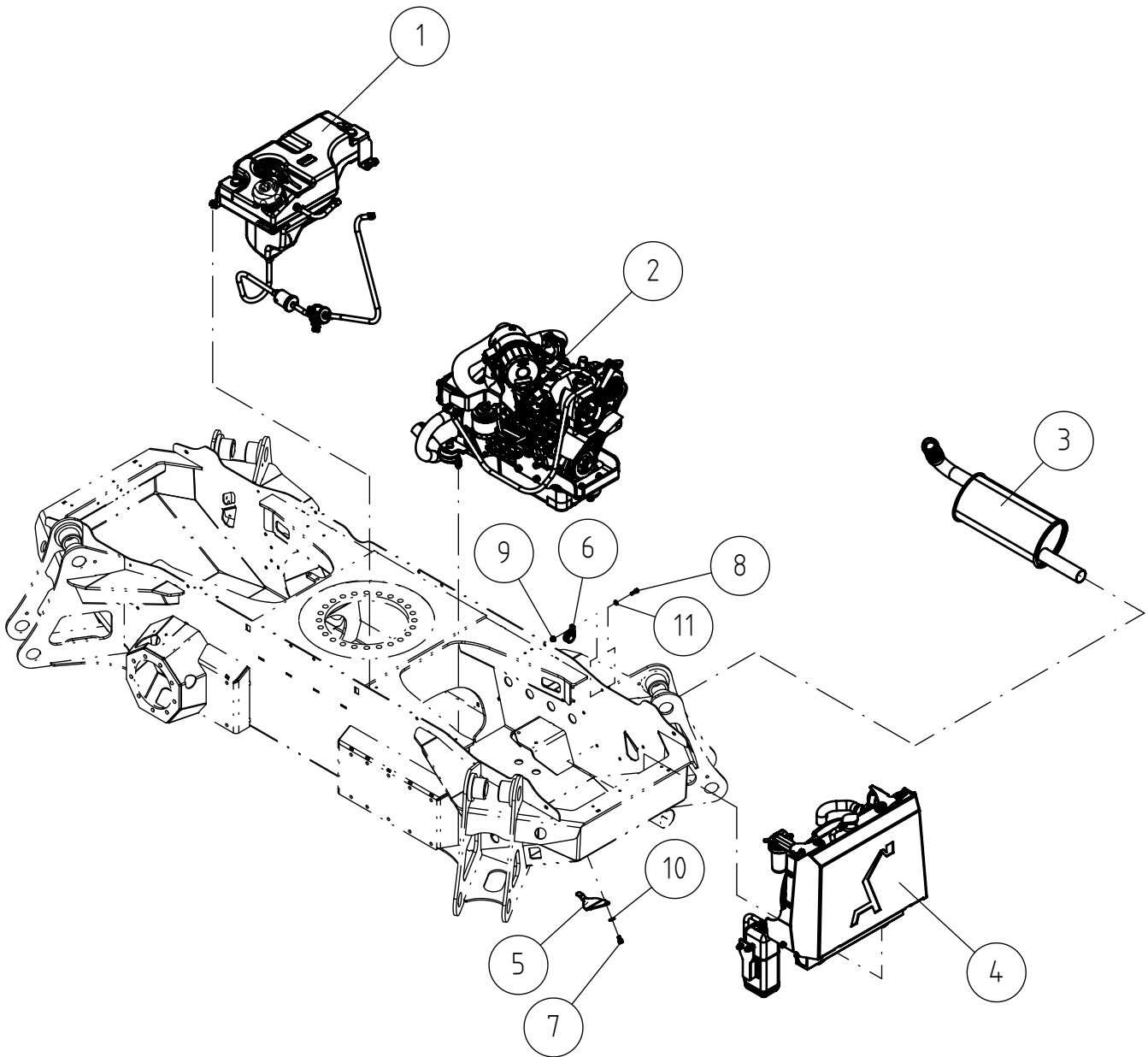
17.12.2024

A453079 SPLITTER BOX ASSEMBLY

REF	PART NO	QTY	DESCRIPTION	NOTES	PAGE
1	A450201	1	MOUNTING BRACKET SPLITTER BOX		-
2	A453080	1	SPLITTER BOX		-
3	74481	2	HEXAGONAL HEAD SCREW M8*20 DIN 912 ZN		-
4	75094	2	HEXAGONAL HEAD SCREW M5*20 DIN912 2		-
5	A453081	2	HEXAGONAL NUT M5 DIN 6923		-
6	A450046	2	HEXAGONAL NUT M8 WITH FLANGE		-
7	73122	2	WASHER M8 A8,4 DIN 125 ZN		-

17.12.2024

A445935 ENGINE ASSEMBLY LEGUAN 220



17.12.2024

A445935 ENGINE ASSEMBLY LEGUAN 220

REF	PART NO	QTY	DESCRIPTION	NOTES	PAGE
1	A450937	1	FUEL TANK ASSEMBLY LEGUAN 220		54
2	A449403	1	DIESEL ENGINE D902 ASSEMBLY LEGUAN 220		58
3	A449205	1	EXHAUST MUFFLER ASSEMBLY LEGUAN 220		64
4	A447164	1	RADIATOR ASSEMBLY LEGUAN 220		66
5	A449613	1	LID OIL FILLER CAP		-
6	74573	1	PIPE CLAMP F25 MM		-
7	74932	1	HEXAGONAL HEAD SCREW M8*12		-
8	74475	1	HEXAGON. HEAD SCREW M 6* 20 DIN 912 ZN		-
9	A450669	1	NUT M6 NYLOC WITH FLANGE		-
10	73122	1	WASHER M8 A8,4 DIN 125 ZN		-
11	71680	1	WASHER M6 DIN 125		-

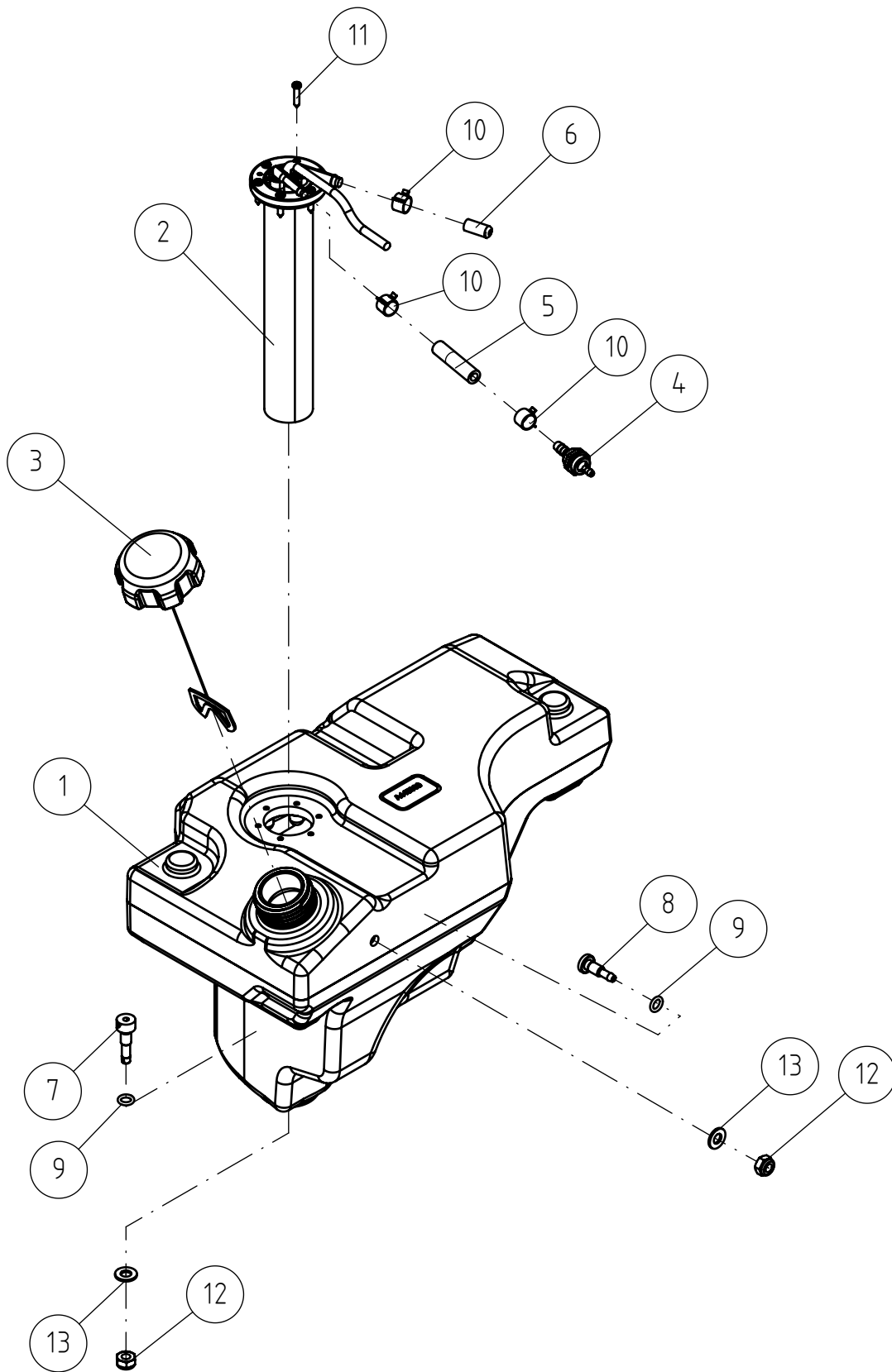
17.12.2024

A450937 FUEL TANK ASSEMBLY LEGUAN 220

REF	PART NO	QTY	DESCRIPTION	NOTES	PAGE
1	A447373	1	FUEL TANK ASSEMBLY LEGUAN 220		56
2	A449793	2	BRACKET FUEL TANK LEGUAN 220		-
3	64625	1	FUEL PUMP ELECTR.		-
4	64657	1	FUEL FILTER IN HOSE 12581-43012 D1105		-
5	A451411	2	FUEL HOSE L=480 LEGUAN		-
6	A449748	1	FUEL HOSE L=170		-
7	A449747	1	FUEL HOSE L=100		-
8	74544	7	HOSE CLAMP MINI ABA 12 MM		-
9	74542	1	HOSE CLAMP MINI ABA 10 MM		-
10	A429197	4	HEXAGONAL SERRATED SCREW M8*12 W. FLANGE		-
11	74475	2	HEXAGON. HEAD SCREW M 6* 20 DIN 912 ZN		-
12	A450669	2	NUT M6 NYLOC WITH FLANGE		-
13	71680	2	WASHER M6 DIN 125		-

17.12.2024

A447373 FUEL TANK ASSEMBLY LEGUAN 220



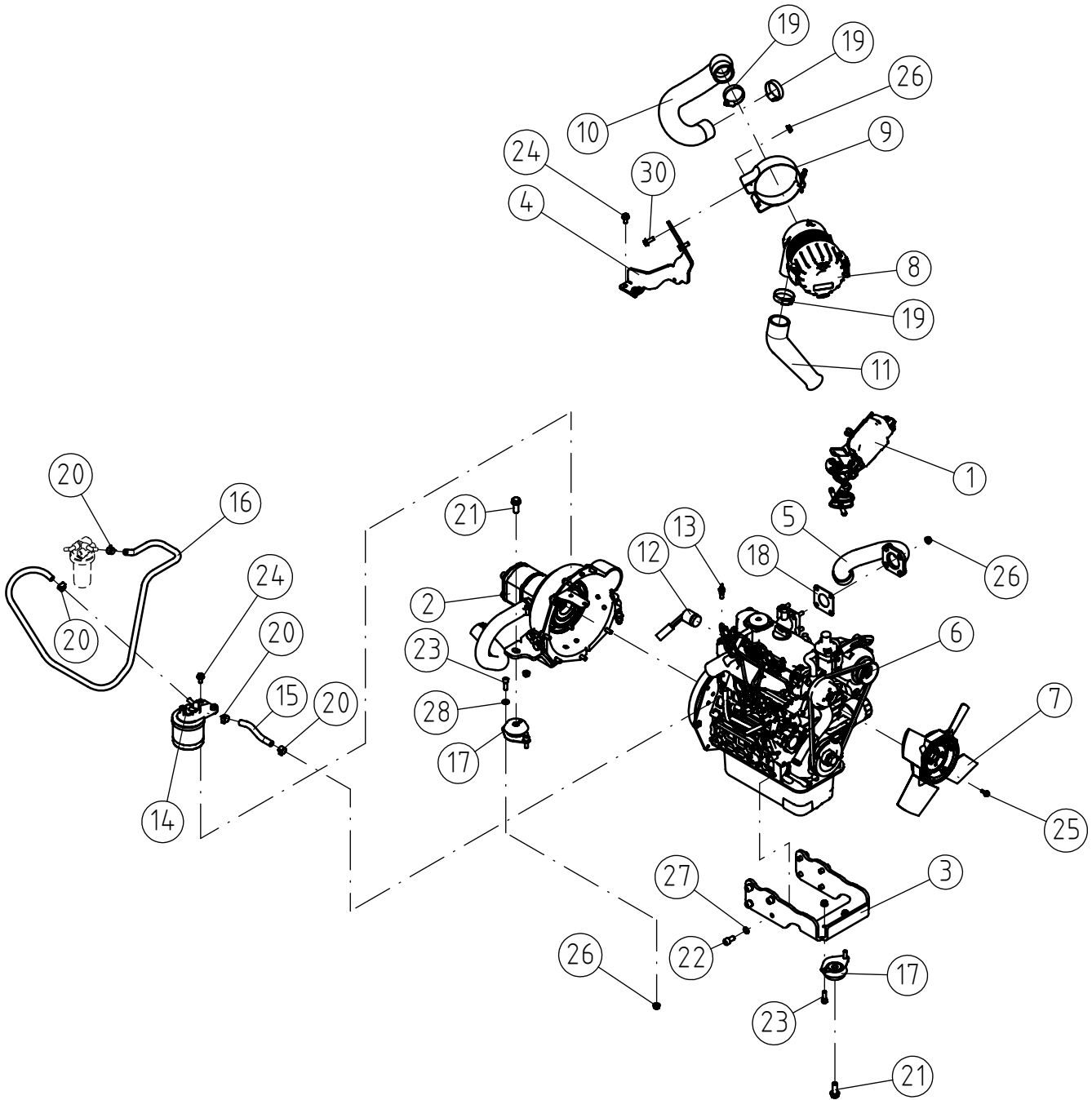
17.12.2024

A447373 FUEL TANK ASSEMBLY LEGUAN 220

REF	PART NO	QTY	DESCRIPTION	NOTES	PAGE
1	A445989	1	FUEL TANK 20L LEGUAN		-
2	A447360	1	FUEL LEVEL SENSOR		-
3	66313	1	FUEL TANK CAP		-
4	A422526	1	CHECK VALVE FUEL TANK		-
5	A449421	1	FUEL HOSE L=260		-
6	A463652	1	PLUG 9,5X25		-
7	A431880	1	NIPPLE 7,9MM FUEL TANK		-
8	A43531	1	NIPPLE F7MM		-
9	74774	2	O-RING NBR F 10*3		-
10	A453015	3	SPRING BAND HOSE CLAMP D13,5 DIN 3021		-
11	75130	6	THREAD-FORMING SCREW M5*25		-
12	72322	2	HEXAGONAL NUT M 10 NYLOC DIN 985		-
13	73121	2	WASHER M10 A10,5 DIN 125 ZN		-

17.12.2024

A449403 DIESEL ENGINE D902 ASSEMBLY LEGUAN 220



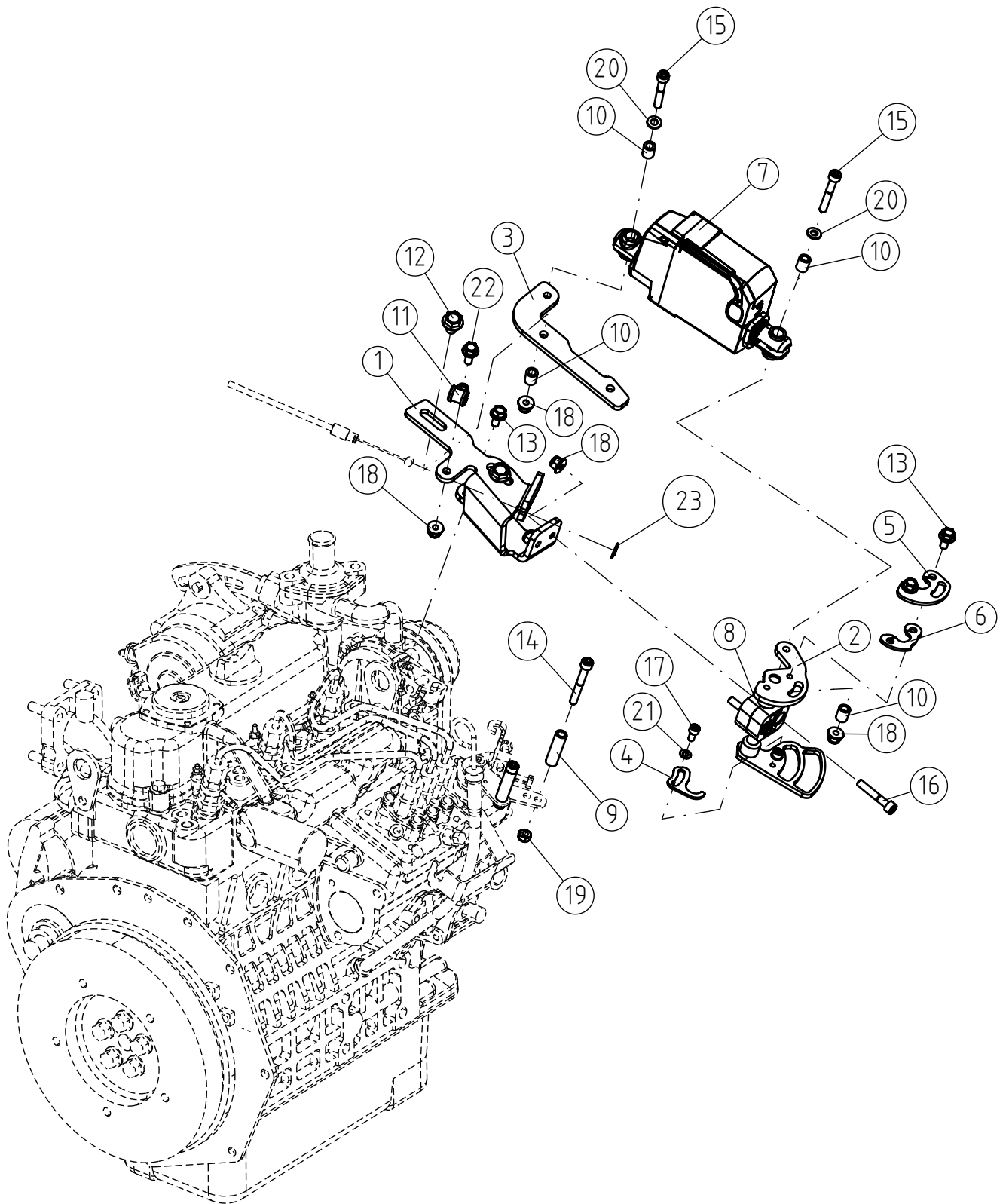
17.12.2024

A449403 DIESEL ENGINE D902 ASSEMBLY LEGUAN 220

REF	PART NO	QTY	DESCRIPTION	NOTES	PAGE
1	A449442	1	THROTTLE ACTUATOR ASSEMBLY		60
2	A453017	1	HYDRAULIC PUMP ASSEMBLY LEGUAN 220		62
3	A449432	1	ENGINE BRACKET FRONT		-
4	A453774	1	MOUNTING BRACKET WATER SEQUESTER		-
5	A447839	1	EXHAUST PIPE		-
6	66511	1	DIESEL ENGINE KUBOTA D902 WITHOUT		-
6.1	64430	1	TRAPEZ. BELT GENERATOR KUBOTA Z482/D722		-
6.2	64207	1	ENGINE OIL FILTER KUBOTA Z482/D722		-
6.3	65522	1	STOP SOLENOID KUBOTA D722		-
6.4	A443823	1	TEMPERATURE SWITCH 82°C KUBOTA		-
6.5	A444459	1	TEMPERATURE SWITCH 115° C KUBOTA		-
7	66449	1	FAN F315 4 BLADE		-
8	66469	1	AIR FILTER, COMPLETE, D902, 423/523		-
8.1	66516	1	AIR FILTER CARTRIDGE 423/523 KUBOTA D902		-
9	66468	1	CLAMP, AIR FILTER 66469		-
10	A447248	1	INTAKE HOSE		-
11	A419968	1	SUCTION DAMPER AIR FILTER 420-523		-
12	65727	1	HEATER ELEMENT 300W, ENGINE BLOCK HEATER		-
13	64486	1	SENSOR, TEMP. GAUGE COBO	Install torque 10 Nm	-
14	64868	1	FUEL FILTER, KIT, KUBOTA		-
14.1	64626	1	FUEL FILTER CARTRIDGE KUBOTA		-
15	A451416	1	FUEL HOSE L=140		-
16	A457163	1	FUEL HOSE L=1350		-
17	A460609	3	ENGINE MOUNT RUBBER TYPE D		-
18	64280	1	GASKET EXHAUST PIPE KUBOTA Z482/D722		-
19	64338	3	HOSE CLAMP ABA 44-56 MM		-
20	A453015	4	SPRING BAND HOSE CLAMP D13,5 DIN 3021		-
21	A462439	3	HEXAGONAL SERRATED SCREW M12*30 W. FLANG		-
22	A433247	8	HEXAGONAL HEAD SCREW M10*1,25*20 DIN 961		-
23	71884	6	HEXAGONAL HEAD SCREW M 8*25 DIN 912 2		-
24	A429200	4	HEXAGONAL SERRATED SCREW M8*16 WITH		-
25	A431967	4	HEXAGONAL SERRATED SCREW M6*16 W. FLANG		-
26	A450046	12	HEXAGONAL NUT M8 WITH FLANGE		-
27	74531	8	SPACER NORDLOCK M10, PAIR		-
28	63944	6	WASHER, PAIR, NORD-LOCK M8		-
29	A454841	4	MOTOR OIL 10W-30		-
30	A429201	2	HEXAGONAL SERRATED SCREW M8*20 WITH		-

17.12.2024

A449442 THROTTLE ACTUATOR ASSEMBLY



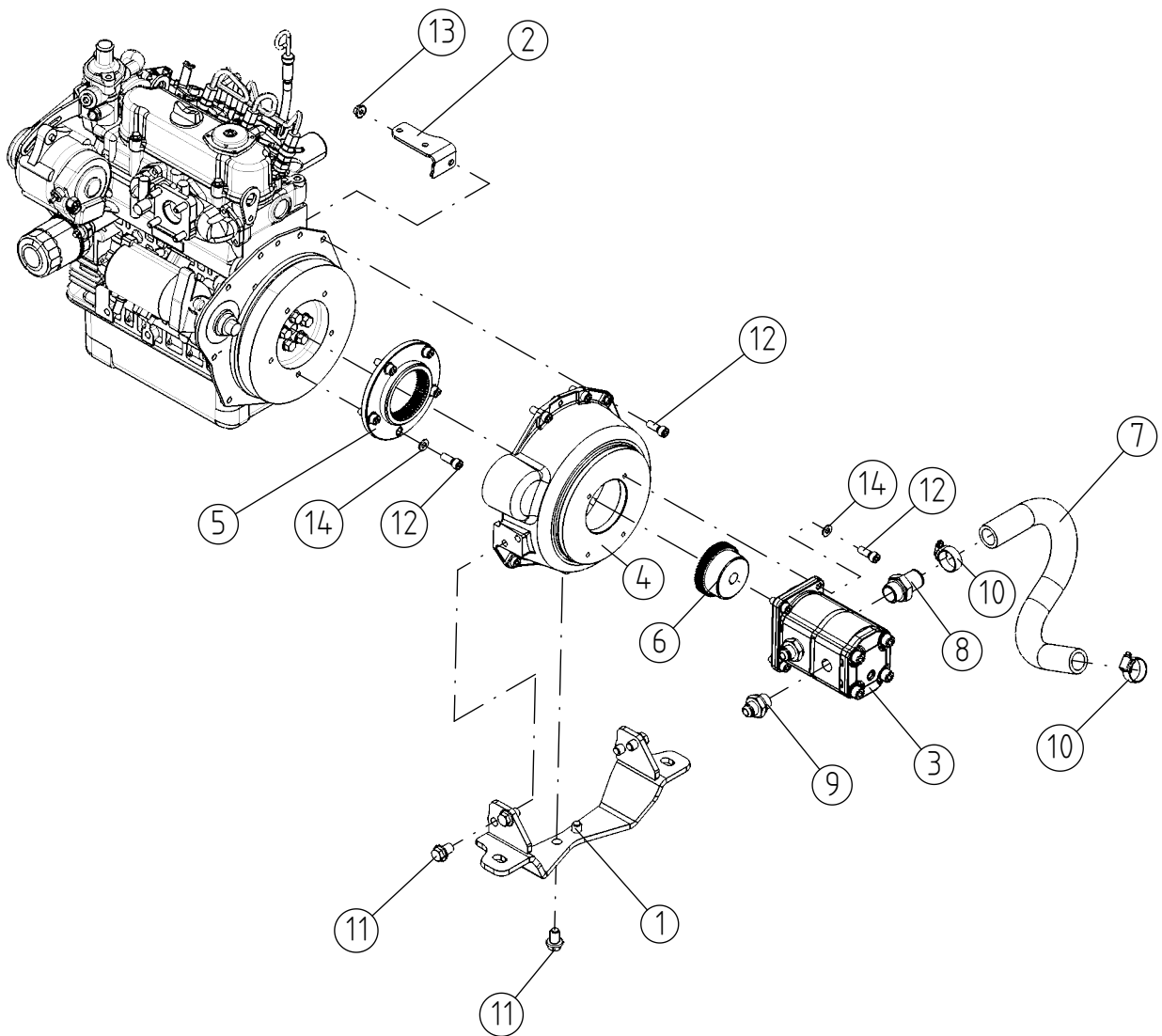
17.12.2024

A449442 THROTTLE ACTUATOR ASSEMBLY

REF	PART NO	QTY	DESCRIPTION	NOTES	PAGE
1	A449208	1	BRACKET ELECTRIC ACTUATOR THROTTLE		-
2	A449206	1	THROTTLE LEVER D902 LEGUAN 220		-
3	A449398	1	ADJUSTMENT PLATE, THROTTLE ACTUATOR		-
4	A422786	1	ADJUSTMENT PLATE, THROTTLE LEVER L190		-
5	A462868	1	UPPER MOUNTING PLATE, BRAKE CABLE		-
6	A462795	1	MIDDLE MOUNTING PLATE, BRAKE CABLE		-
7	A435512	1	ELECTRIC ACTUATOR 12V LINAK 900N 40 MM		-
8	A453019	1	PIPE CLAMP		-
9	A422383	2	BUSHING, THROTTLE LEVER, L190		-
10	A458090	4	BUSHING SLEEVE, WHITE		-
11	74569	1	PIPE CLAMP F 8 MM		-
12	A429197	2	HEXAGONAL SERRATED SCREW M8*12 W. FLANGE		-
13	A431968	4	HEXAGONAL SERRATED SCREW M6*12 WITH		-
14	74477	2	HEXAGONAL HEAD SCREW M6*45 DIN 912 ZN		-
15	74438	2	HEXAGONAL HEAD SCREW M6*40 DIN 912		-
16	A427068	2	HEXAGONAL HEAD SCREW M6*35 DIN 912 2		-
17	74471	2	HEXAG. HEAD SCREW M 5* 10 DIN 912 ZN		-
18	A450669	5	NUT M6 NYLOC WITH FLANGE		-
19	72318	2	HEXAGONAL NUT M 6 DIN 985 NYLOC		-
20	71680	2	WASHER M6 DIN 125		-
21	74448	2	WASHER M5 A5,3 DIN 125 ZN		-
22	A431967	1	HEXAGONAL SERRATED SCREW M6*16 W. FLANG		-
23	A467852	1	LOCKING RING 7MM		-

17.12.2024

A453017 HYDRAULIC PUMP ASSEMBLY LEGUAN 220



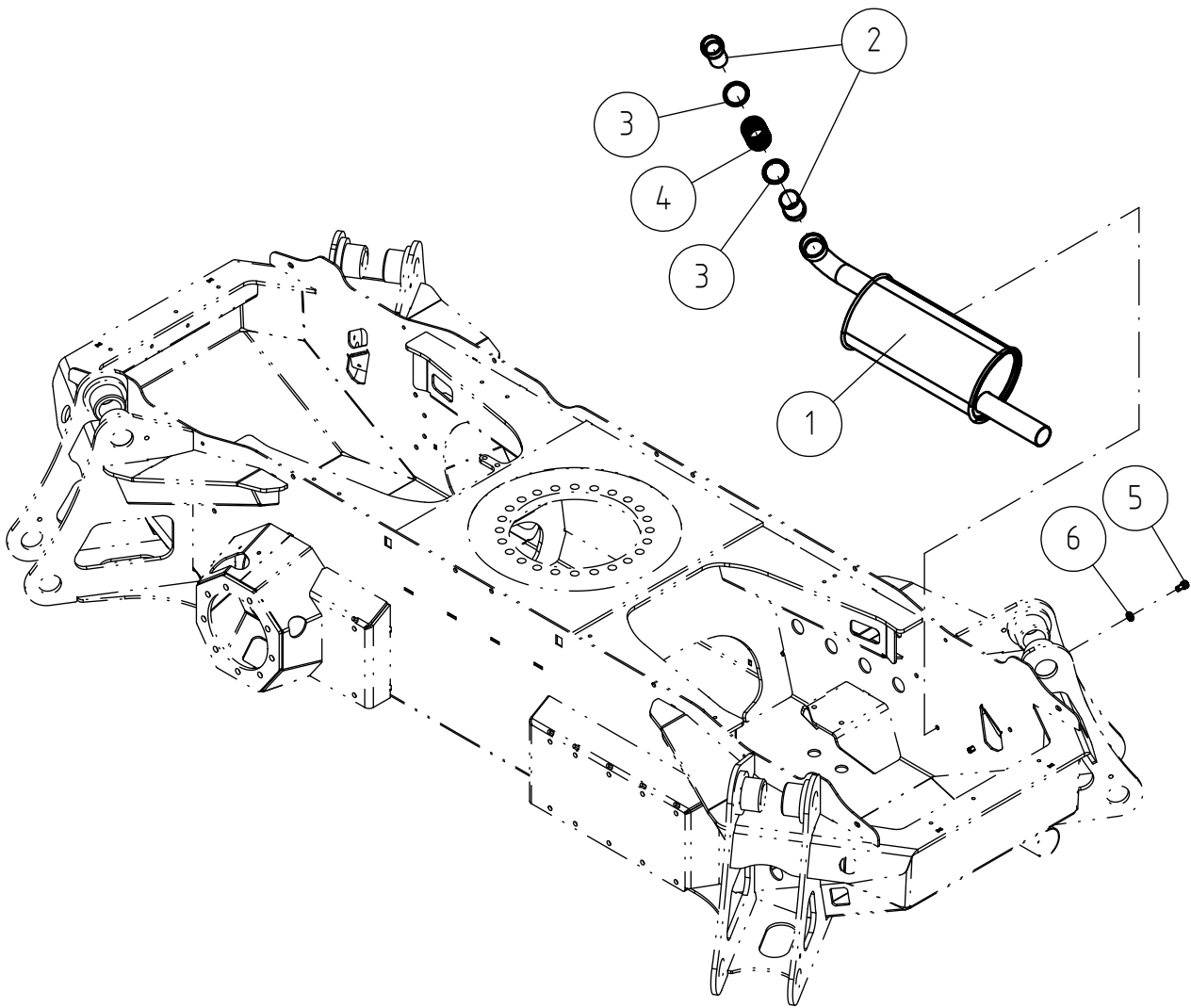
17.12.2024

A453017 HYDRAULIC PUMP ASSEMBLY LEGUAN 220

REF	PART NO	QTY	DESCRIPTION	NOTES	PAGE
1	A43522	1	ENGINE MOUNTING BRACKET, REAR		-
2	A449653	1	MOUNTING BRACKET FUEL FILTER LEGUAN		-
3	A446525	1	HYDRAULIC PUMP 8+5 CCM		-
4	64374	1	FLYWHEEL HOUSING KUBOTA RECT.F80 72*100		-
5	64376	1	COUPLING BOWEX 48FLE-, ENGINE SIDE		-
6	64378	1	COUPLING HALF 48FLE 1:5, PUMP SIDE		-
7	A449409	1	HYDR. HOSE L=470		-
8	66107	1	HOSE BARB R3/4"UK - 25 MM L=58		-
9	64058	2	BASIC FITTING F40XS12-1/2		-
10	A438215	2	HOSE CLAMP 26-38 MM		-
11	A436874	6	HEXAGONAL SCREW M12*20 2		-
12	71884	16	HEXAGONAL HEAD SCREW M 8*25 DIN 912 2		-
13	A450046	1	HEXAGONAL NUT M8 WITH FLANGE		-
14	73122	9	WASHER M8 A8,4 DIN 125 ZN		-

17.12.2024

A449205 EXHAUST MUFFLER ASSEMBLY LEGUAN 220



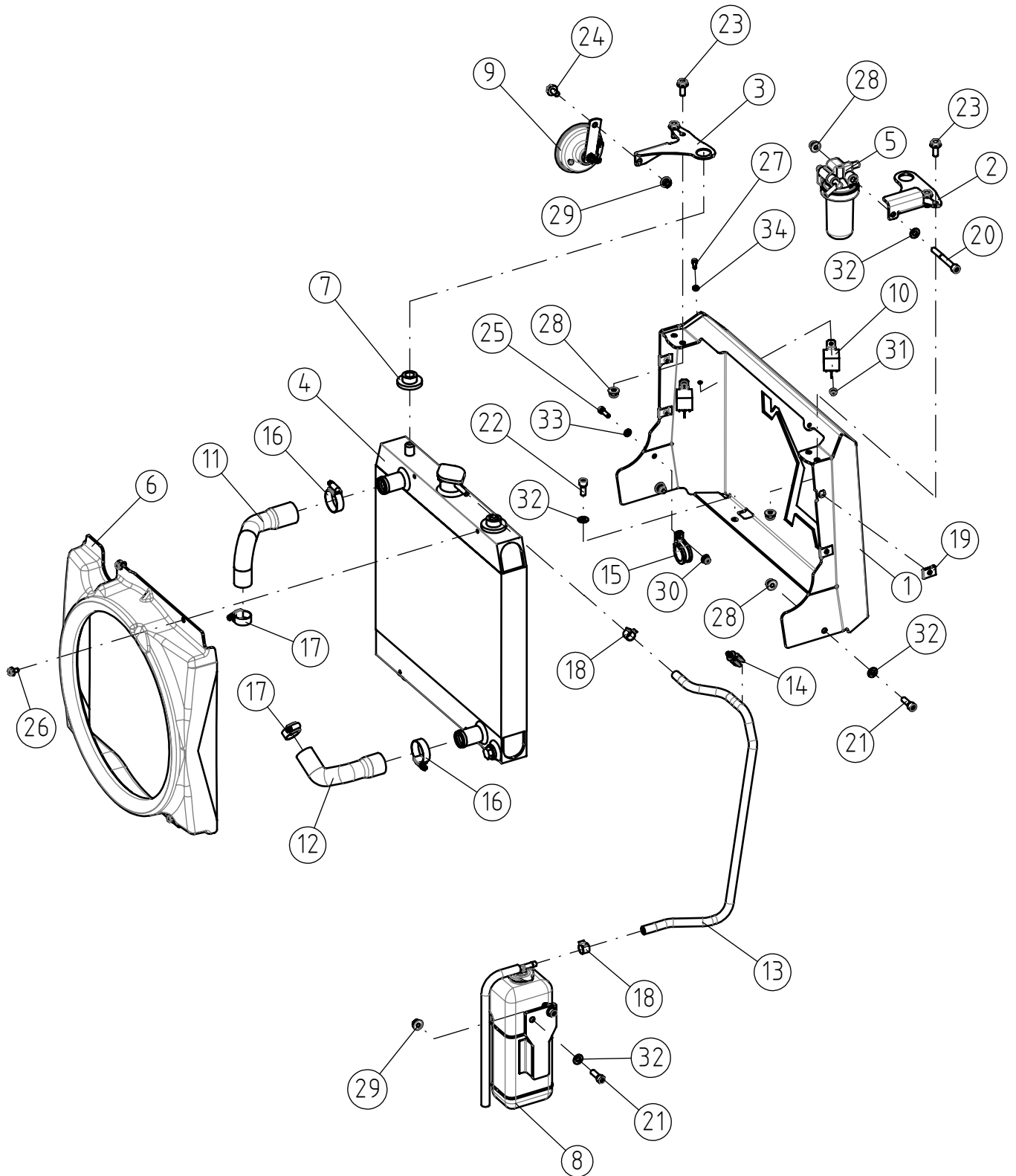
17.12.2024

A449205 EXHAUST MUFFLER ASSEMBLY LEGUAN 220

REF	PART NO	QTY	DESCRIPTION	NOTES	PAGE
1	A447007	1	EXHAUST MUFFLER LEGUAN 220 KUBOTA D902		-
2	A444632	1	BUSHINGS EXHAUST PIPE 200 SERIES		-
3	A46002	2	RING		-
4	A46005	1	SPRING 3*41*140 NT 8,5		-
5	74480	2	HEXAGON. HEAD SCREW M 8* 16 DIN 912 ZN		-
6	73122	2	WASHER M8 A8,4 DIN 125 ZN		-

17.12.2024

A447164 RADIATOR ASSEMBLY LEGUAN 220



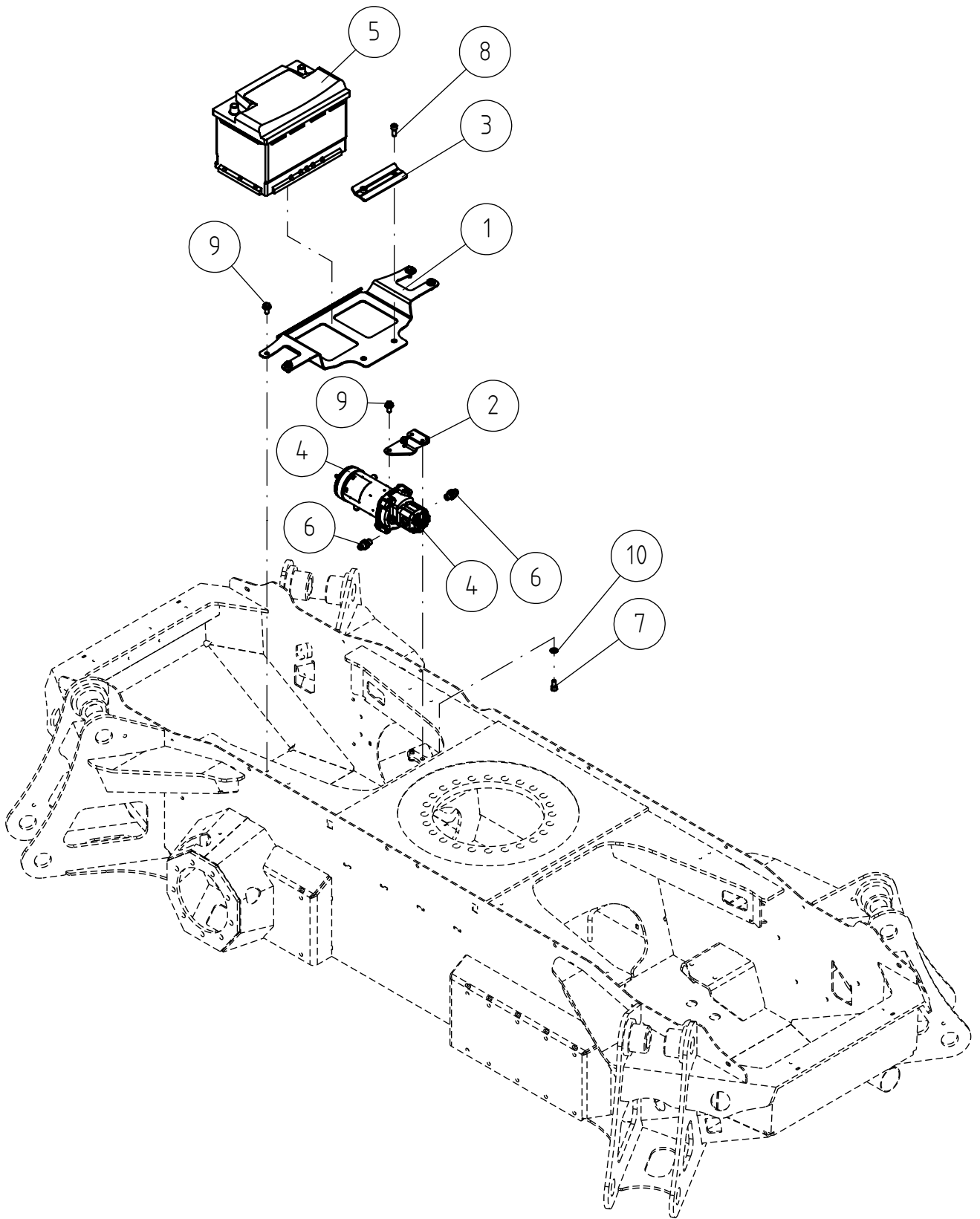
17.12.2024

A447164 RADIATOR ASSEMBLY LEGUAN 220

REF	PART NO	QTY	DESCRIPTION	NOTES	PAGE
1	A450681	1	FRONT MASK		-
2	A458070	1	MOUNTING BRACKET, RADIATOR, WATER		-
3	A452994	1	MOUNTING BRACKET, RADIATOR		-
4	A422612	1	RADIATOR D902		-
4.1	A436407	1	CAP, RADIATOR 0.9BAR		-
5	64920	1	WATER SEQUESTER, KIT, KUBOTA 16614-43001		-
5.1	64963	1	FILTER CARTRIDGE, WATER SEQUESTER KUBOTA		-
6	A442893	1	WIND TUNNEL 423/523		-
7	A420381	4	VIBRATION DAMPER RUBBER RADIATOR		-
8	65067	1	OVERFLOW TANK 1,30 L RADIATOR KUBOTA		-
9	64157	1	SIGNAL HORN COMPLETE		-
10	65521	2	RELAY 12V 70A		-
11	A415802	1	RADIATOR HOSE UPPER		-
12	A415803	1	RADIATOR HOSE LOWER		-
13	A451411	1	FUEL HOSE L=480 LEGUAN		-
14	A428260	1	PIPE CLIP D13-D14		-
15	74573	1	PIPE CLAMP F25 MM		-
16	73809	2	HOSE CLAMP 32-44 MM		-
17	73530	2	HOSE CLAMP 22-32 MM		-
18	A453015	2	SPRING BAND HOSE CLAMP D13,5 DIN 3021		-
19	74807	4	SPEED NUT M6, FOR 0.5-4.0 MM PLATE		-
20	A442472	1	HEXAGONAL HEAD SCREW M8*70 DIN 912 8.8		-
21	71884	4	HEXAGONAL HEAD SCREW M 8*25 DIN 912 2		-
22	74481	2	HEXAGONAL HEAD SCREW M8*20 DIN 912 ZN		-
23	A429201	4	HEXAGONAL SERRATED SCREW M8*20 WITH		-
24	A429200	1	HEXAGONAL SERRATED SCREW M8*16 WITH		-
25	74475	1	HEXAGON. HEAD SCREW M 6* 20 DIN 912 ZN		-
26	A431969	4	HEXAGONAL SERRATED SCREW M6*10 W. FLANG		-
27	74472	2	HEXAGONAL HEAD SCREW M 5*16 DIN 912 ZN		-
28	A447717	7	HEXAGONAL NUT M8 NYLOC DIN 6926		-
29	A450046	3	HEXAGONAL NUT M8 WITH FLANGE		-
30	A450669	1	NUT M6 NYLOC WITH FLANGE		-
31	A447716	2	HEXAGONAL NUT M5 NYLOC DIN 6926		-
32	73122	7	WASHER M8 A8,4 DIN 125 ZN		-
33	71680	1	WASHER M6 DIN 125		-
34	74448	2	WASHER M5 A5,3 DIN 125 ZN		-
35	74008	5	COOLANT GLYCOL SHELL		-

17.12.2024

A450202 STARTER BATTERY 12V ASSEMBLY LEGUAN 220



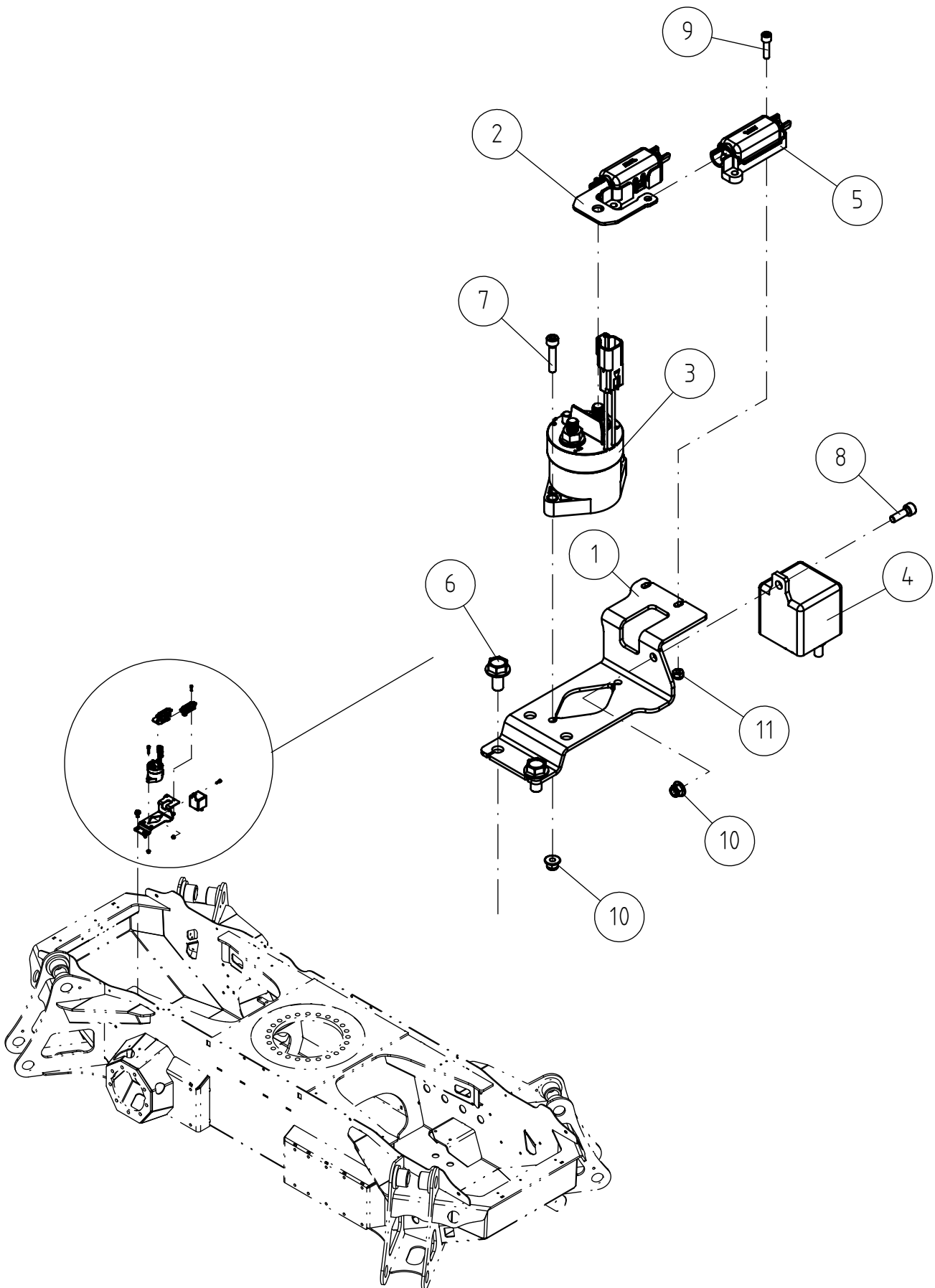
17.12.2024

A450202 STARTER BATTERY 12V ASSEMBLY LEGUAN 220

REF	PART NO	QTY	DESCRIPTION	NOTES	PAGE
1	A477363	1	BATTERY HOLDER		-
2	A453119	1	BRACKET EMERGENCY OPERATION PUMP		-
3	A47372	1	BRACKET, BATTERY 12V		-
4	A446467	1	HYDRAULIC POWER UNIT 12VDC		-
5	A438875	1	BATTERY 12V 77AH, 760A		-
6	64059	2	BASIC FITTING F40XS10-1/4		-
7	74480	2	HEXAGON. HEAD SCREW M 8* 16 DIN 912 ZN		-
8	74481	2	HEXAGONAL HEAD SCREW M8*20 DIN 912 ZN		-
9	A429200	6	HEXAGONAL SERRATED SCREW M8*16 WITH		-
10	73122	2	WASHER M8 A8,4 DIN 125 ZN		-

17.12.2024

A446475 BATTERY DISCONNECT SWITCH ASSEMBLY



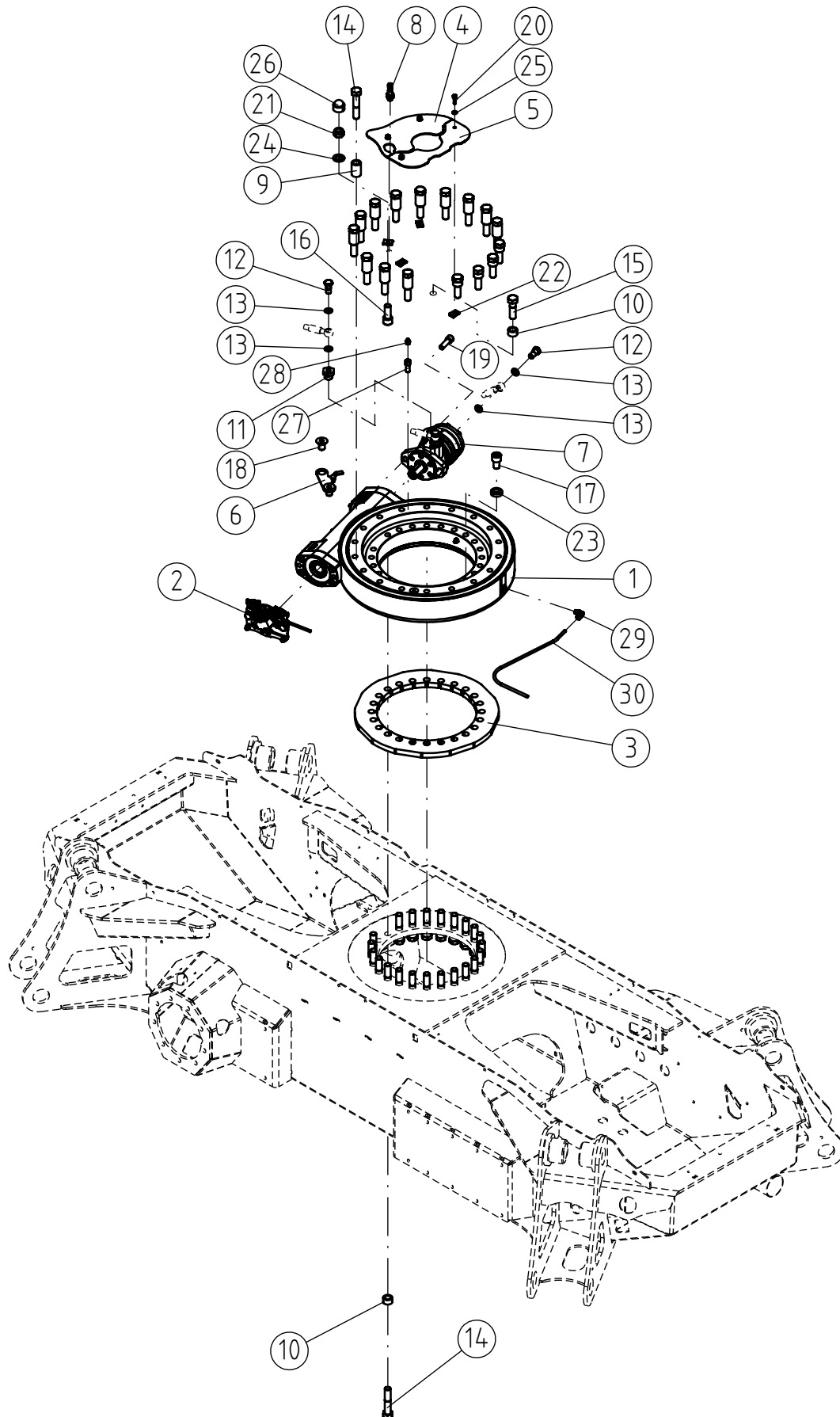
17.12.2024

A446475 BATTERY DISCONNECT SWITCH ASSEMBLY

REF	PART NO	QTY	DESCRIPTION	NOTES	PAGE
1	A452657	1	MOUNTING BRACKET, MAIN SWITCH		-
2	A452658	1	DISTRIBUTION PLATE		-
3	A423509	1	BATTERY DISCONNECT RELAY AUTOMATIC L190		-
4	A467072	1	RELAY 12V 200A		-
5	A442417	2	FUSE MODULE FOR MIDI FUSE		-
6	A429200	2	HEXAGONAL SERRATED SCREW M8*16 WITH		-
7	75095	2	HEXAGONAL HEAD SCREW M5*25 DIN912 2		-
8	74472	1	HEXAGONAL HEAD SCREW M 5*16 DIN 912 ZN		-
9	74469	2	HEXAGONAL HEAD SCREW M4*16 DIN 912 ZN		-
10	A447716	3	HEXAGONAL NUT M5 NYLOC DIN 6926		-
11	72313	2	HEXAGONAL NUT M4 DIN 985 NYLOC		-

17.12.2024

A446034 SLEWING RING ASSEMBLY LEGUAN 220



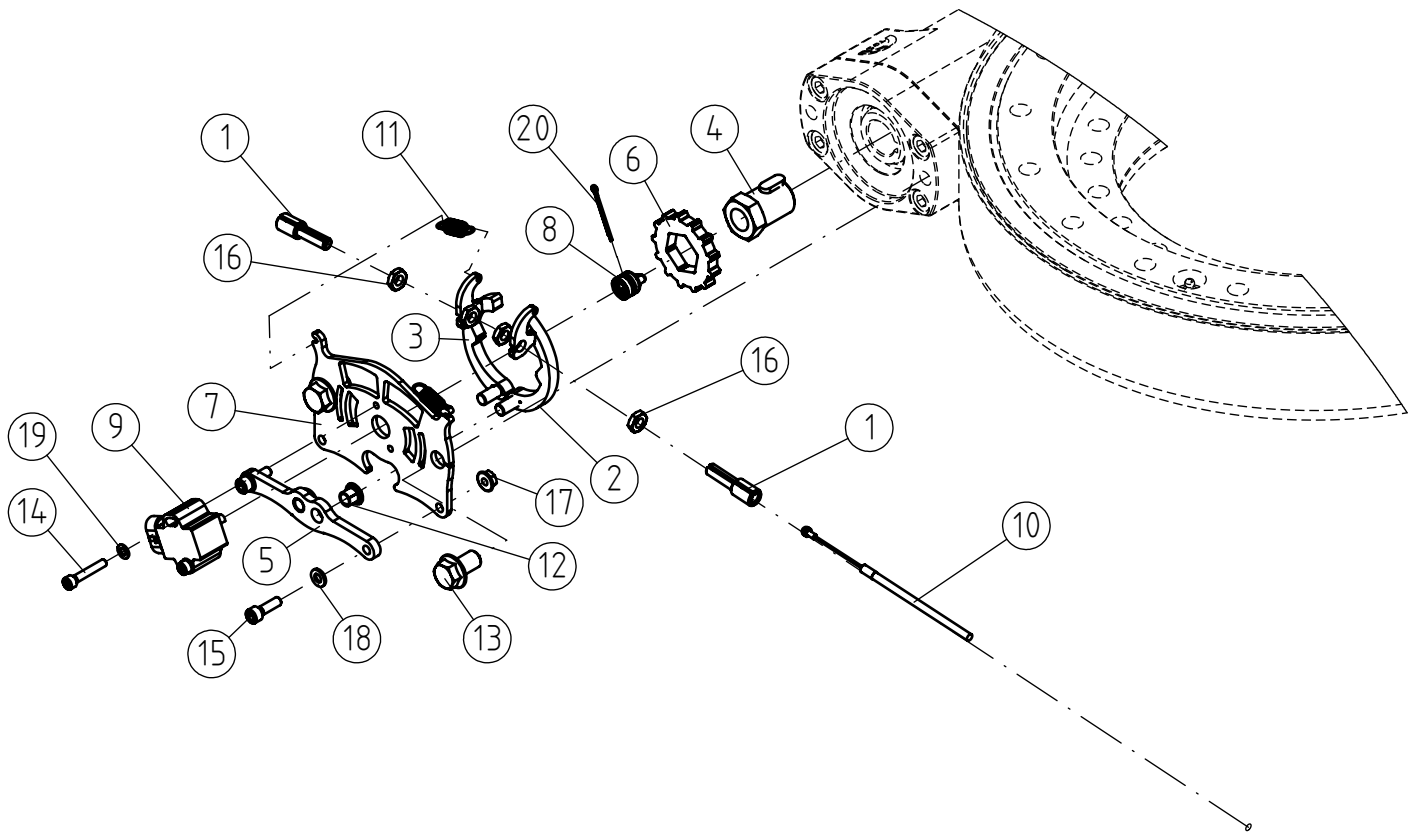
17.12.2024

A446034 SLEWING RING ASSEMBLY LEGUAN 220

REF	PART NO	QTY	DESCRIPTION	NOTES	PAGE
1	A467980	1	SLEWING RING		-
2	A462447	1	BRAKE ASSEMBLY, SLEWING RING		74
3	A460388	1	SPACER PLATE, SLEWING RING		-
4	A447640	1	LID, PEDESTAL		-
5	A447641	1	LID, PEDESTAL		-
6	A453890	1	SENSOR PLATE, SLEW RING		-
7	A446161	1	HYDRAULIC MOTOR		-
8	66338	1	INDUCTIVE PROXIMITY SENSOR 9-36V/0,2A		-
9	A412060	13	STRETCH SLEEVE D16 L=38		-
10	A450799	28	STRETCH SLEEVE D16 L=14		-
11	64743	2	REDUCER FITTING R1/2" - EDX 1/4"		-
12	64557	3	BANJO BOLT R 1/4"	45 Nm	-
13	73757	6	USIT COMPRESSION R1/4"		-
14	A451129	36	HEXAGONAL SCREW M16*80 ZFSLH 10.9	230 Nm (lubricated)	-
15	A450805	5	HEXAGONAL SCREW M16*55 ZFSLH 10.9	230 Nm (lubricated)	-
16	A454180	1	HEXAGONAL HEAD SCREW M16*40 BLACK		-
17	A453951	1	HEXAGONAL HEAD SCREW M16*25 12.9	Only 225, SN 0080100 - 0080399	-
18	A454155	2	COUNTERSUNK SCREW M16*25		-
19	74832	2	HEXAGONAL HEAD SCREW M12*40		-
20	74475	4	HEXAGON. HEAD SCREW M 6* 20 DIN 912 ZN		-
21	72330	1	HEXAGONAL NUT M16 NYLOC DIN 985		-
22	74807	4	SPEED NUT M6, FOR 0.5-4.0 MM PLATE		-
23	A454156	1	WASHER THICK M16	Only 225, SN 0080100 - 0080399	-
24	A430193	1	WASHER M16 DIN 125		-
25	71680	4	WASHER M6 DIN 125		-
26	A454179	1	CAP, HEXAGONAL SCREW M16		-
27	A456103	1	RAISER, GREASE NIPPLE		-
28	72798	1	GREASE NIPPLE R 1/8" STRAIGHT		-
29	A467237	1	PNEUMATIC FITTING 90 DEG.		-
30	A467239	1	PNEUMATIC HOSE		-

17.12.2024

A462447 BRAKE ASSEMBLY, SLEWING RING



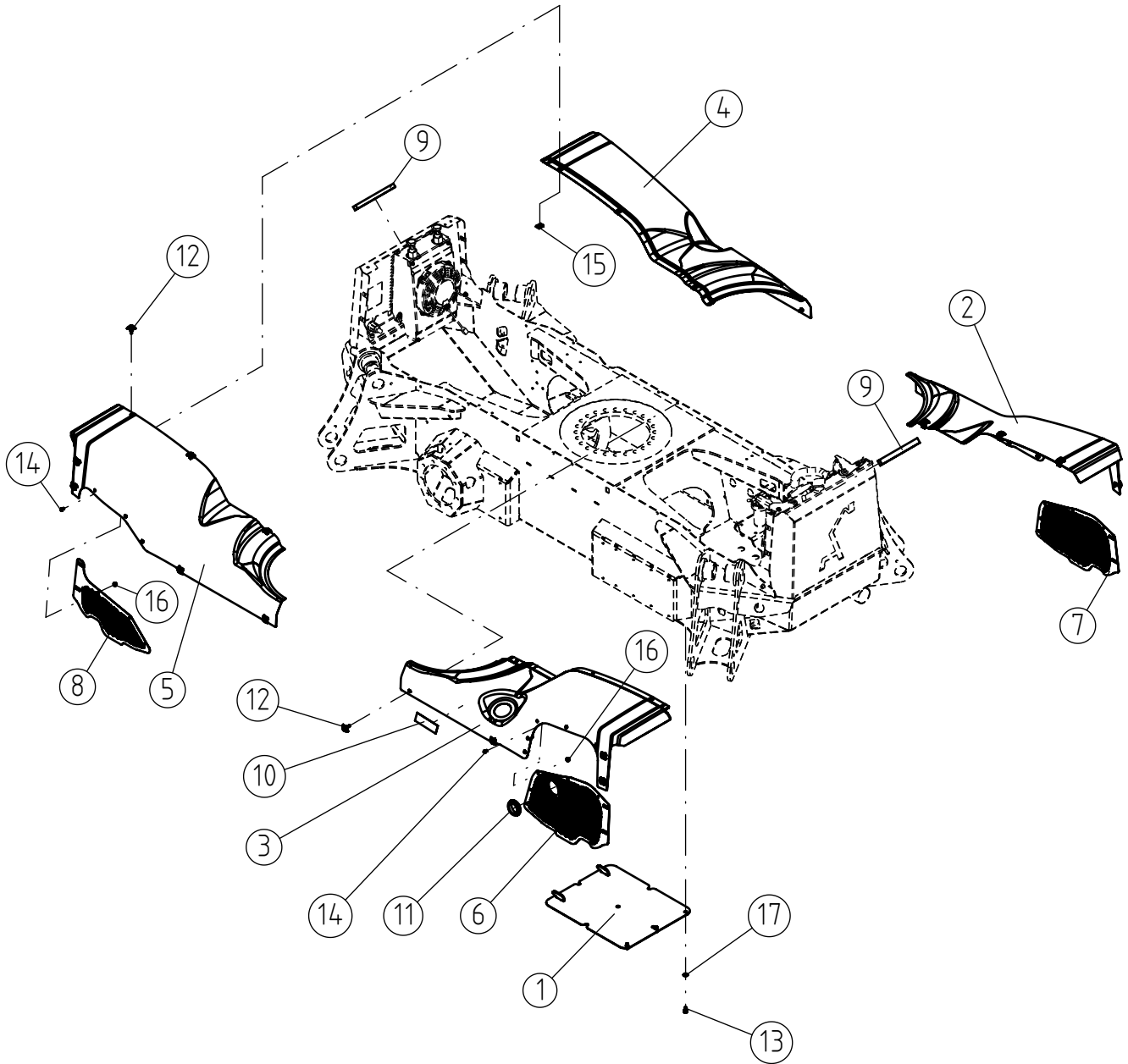
17.12.2024

A462447 BRAKE ASSEMBLY, SLEWING RING

REF	PART NO	QTY	DESCRIPTION	NOTES	PAGE
1	A462651	2	ADJUSTMENT SLEEVE, BRAKE CABLE		-
2	A463006	1	BRAKE SHOE		-
3	A463008	1	BRAKE SHOE		-
4	A459410	1	ROTATION TOOL, SLEWING RING		-
5	A462808	1	MOUNTING PLATE, BRAKE SHOE		-
6	A463843	1	BRAKE DISC		-
7	A462809	1	COVER PLATE, BRAKE		-
8	A462866	1	ADAPTER, ANGLE SENSOR		-
9	A446862	1	ANGLE SENSOR		-
10	A465583	1	BRAKE CABLE		-
11	64054	2	EXTENSION SPRING SF-DF 1,2*10*30		-
12	A462871	2	SLIDE BEARING 8/10		-
13	A436874	2	HEXAGONAL SCREW M12*20 2		-
14	74694	2	HEXAGONAL SCREW M5*30 DIN 912		-
15	74475	2	HEXAGON. HEAD SCREW M 6* 20 DIN 912 ZN		-
16	74727	4	NUT, THIN M8X1,25		-
17	A452923	2	HEXAGONAL NUT M6 DIN 6923		-
18	71680	2	WASHER M6 DIN 125		-
19	74448	2	WASHER M5 A5,3 DIN 125 ZN		-
20	A463296	1	COTTER PIN 2*32 DIN 94		-

17.12.2024

A445988 COVER PANELS CHASSIS LEGUAN 220



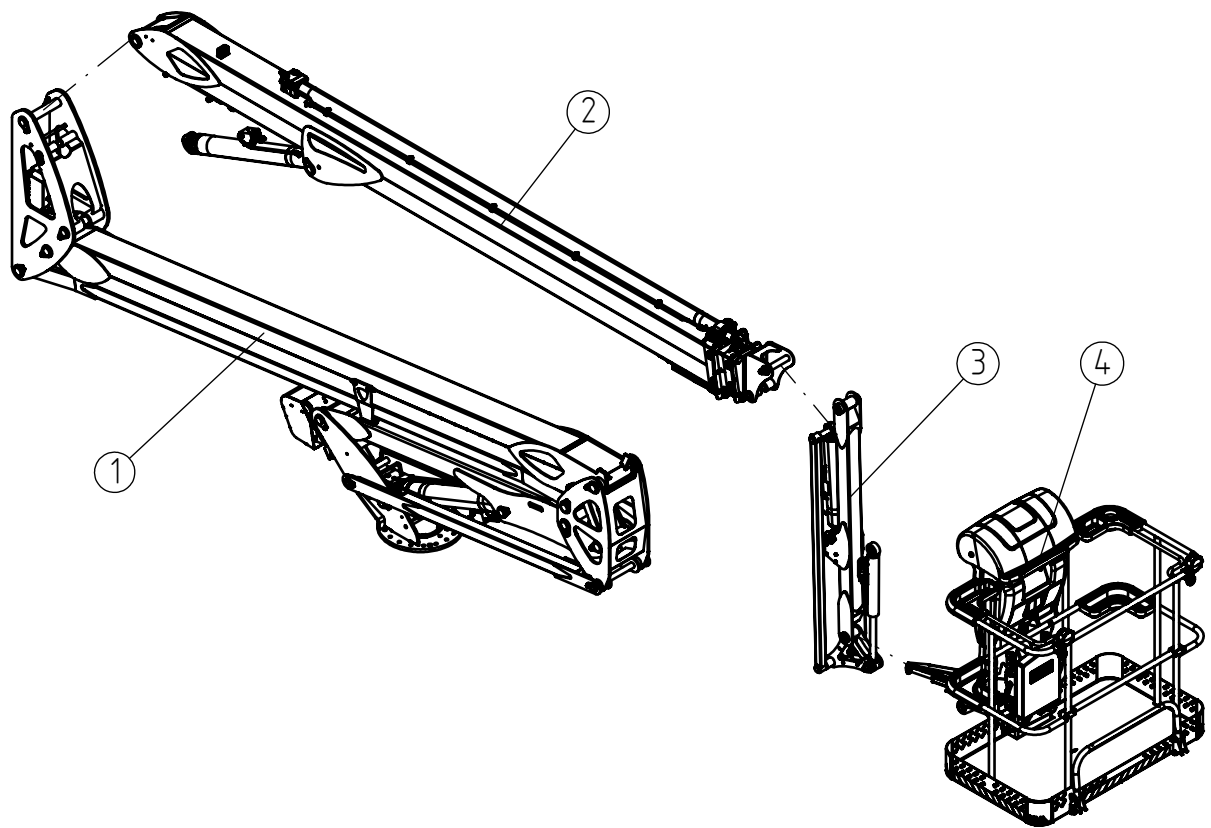
17.12.2024

A445988 COVER PANELS CHASSIS LEGUAN 220

REF	PART NO	QTY	DESCRIPTION	NOTES	PAGE
1	A420914	1	BOTTOM PLATE, CHASSIS, LEGUAN 160M2		-
2	A446160	1	COVER PANEL FRONT LEFT LEGUAN 220		-
2	A458983	1	COVER PANEL GREY FRONT LEFT LEGUAN 220		-
3	A446159	1	COVER PANEL FRONT RIGHT LEGUAN 220		-
3	A458985	1	COVER PANEL GREY FRONT RIGHT LEGUAN 220		-
4	A446157	1	COVER PANEL REAR LEFT LEGUAN 220		-
4	A458986	1	COVER PANEL GREY REAR LEFT LEGUAN 220		-
5	A446158	1	COVER PANEL REAR RIGHT LEGUAN 220		-
5	A458987	1	COVER PANEL GREY REAR RIGHT LEGUAN 220		-
6	A450383	1	SIDE NET, FRONT OIL DIPSTICK		-
7	A453831	1	NET, SIDE FRONT		-
8	A454154	2	NET, SIDE REAR		-
9	A459120	2	SUPPORTING TAPE, COVER PANEL		-
10	A43594	1	DECAL "DIESEL" 32*115 BLACK-WHITE/CLEAR		-
11	A456036	1	GROMMET F60/F52/F41		-
12	66126	22	STAR GRIP SCREW M6*15 F32-20,5		-
13	74932	3	HEXAGONAL HEAD SCREW M8*12		-
14	A464881	16	BUTTON HEAD SOCKET CAP SCREW M6X12		-
15	74807	6	SPEED NUT M6, FOR 0.5-4.0 MM PLATE		-
16	A452923	16	HEXAGONAL NUT M6 DIN 6923		-
17	73122	3	WASHER M8 A8,4 DIN 125 ZN		-

17.12.2024

A444101 BOOMS ASSEMBLY LEGUAN 220

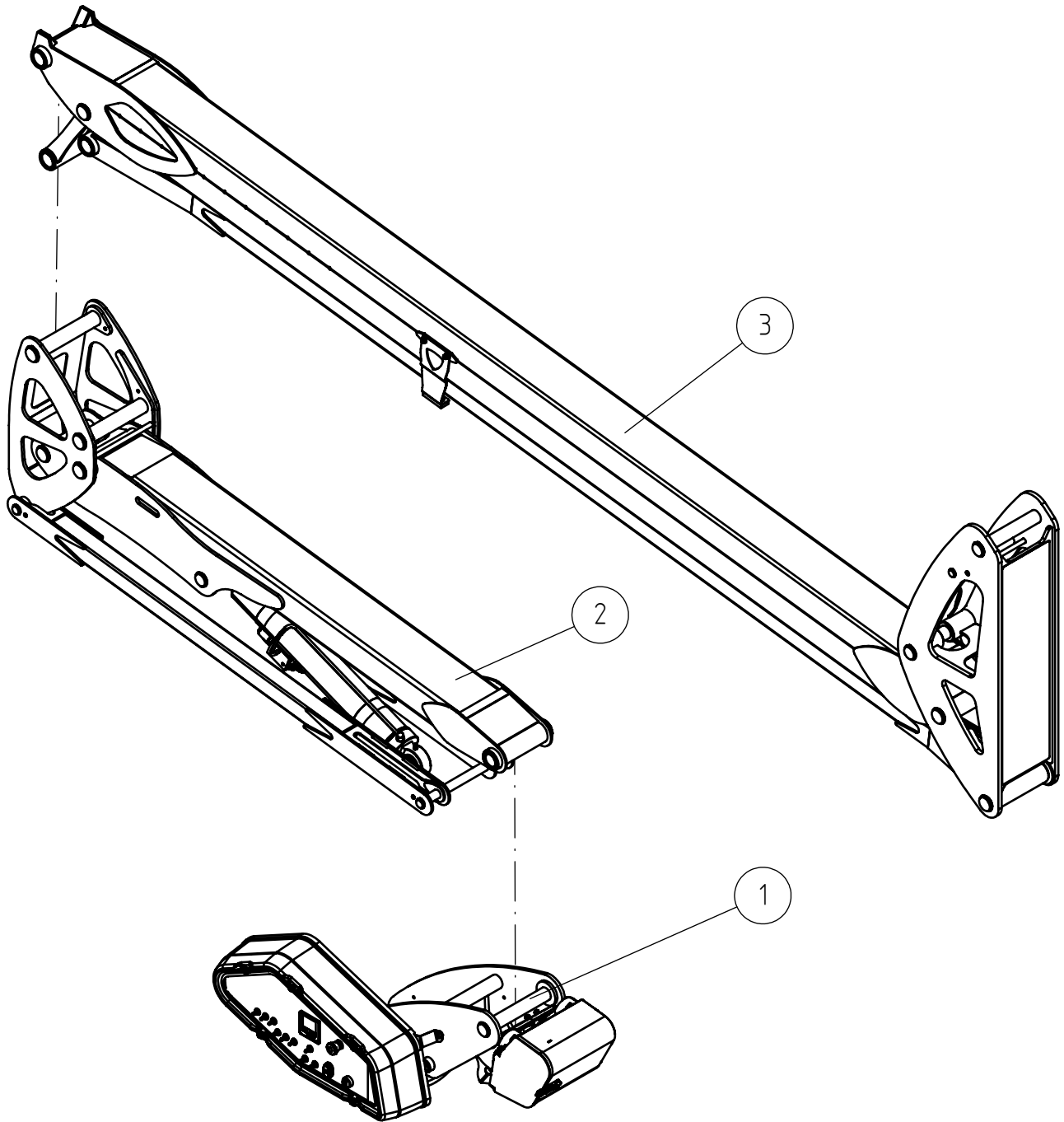


17.12.2024

A444101 BOOMS ASSEMBLY LEGUAN 220

REF	PART NO	QTY	DESCRIPTION	NOTES	PAGE
1	A444564	1	LOWER BOOMS ASSEMBLY LEGUAN 220		80
2	A444563	1	UPPER BOOM ASSEMBLY LEGUAN 220		108
3	A444533	1	JIB BOOM ASSEMBLY LEGUAN 220		126
4	A444544	1	PLATFORM+SELF LEVELLING PIECE ASSEMBLY		132

A444564 LOWER BOOMS ASSEMBLY LEGUAN 220



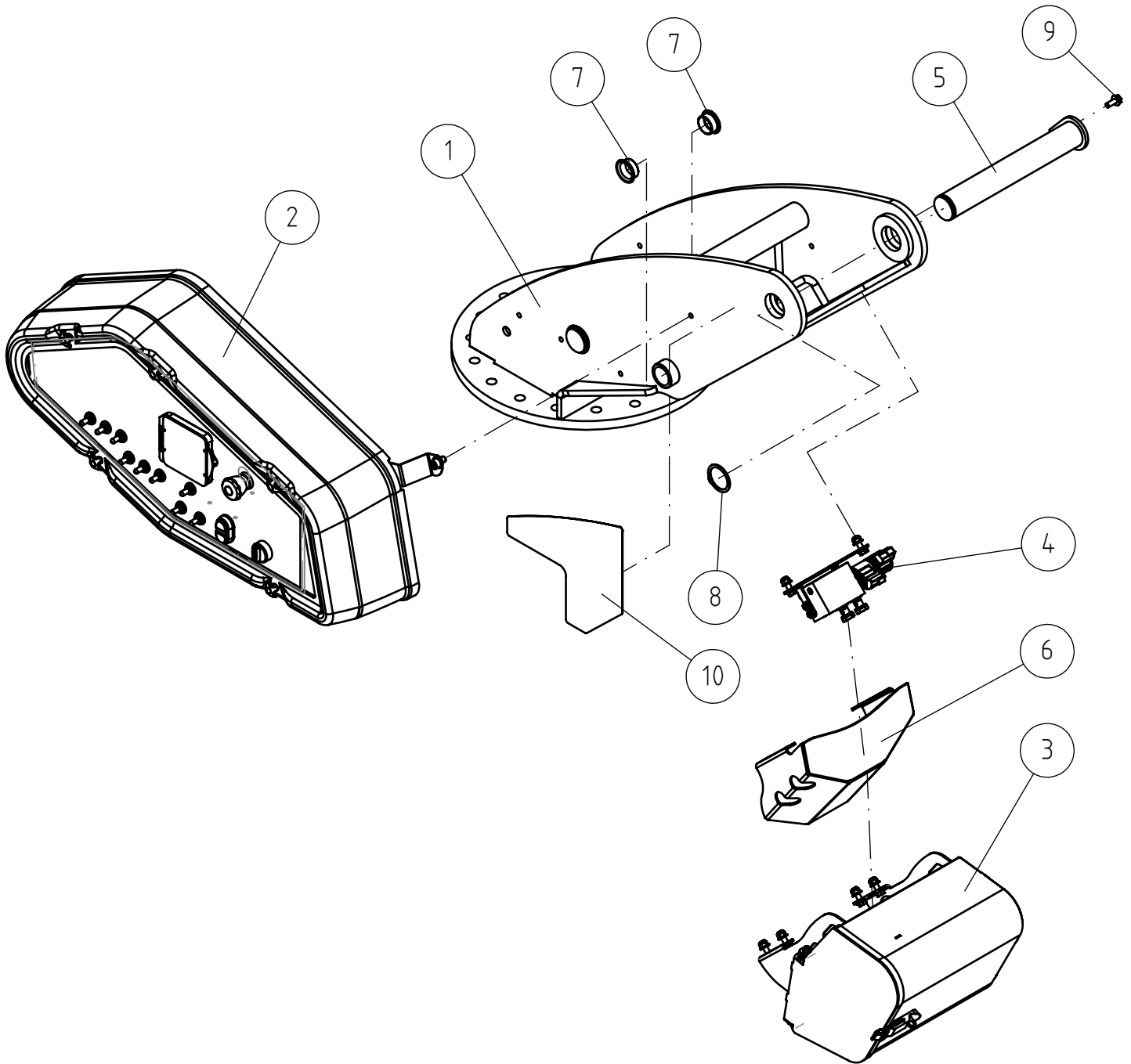
17.12.2024

A444564 LOWER BOOMS ASSEMBLY LEGUAN 220

REF	PART NO	QTY	DESCRIPTION	NOTES	PAGE
1	A446071	1	PEDESTAL ASSEMBLY LEGUAN 220		82
2	A446083	1	LOWER BOOM 1 ASSEMBLY LEGUAN 220		100
3	A446058	1	LOWER BOOM 2 ASSEMBLY LEGUAN 220		104

17.12.2024

A446071 PEDESTAL ASSEMBLY LEGUAN 220



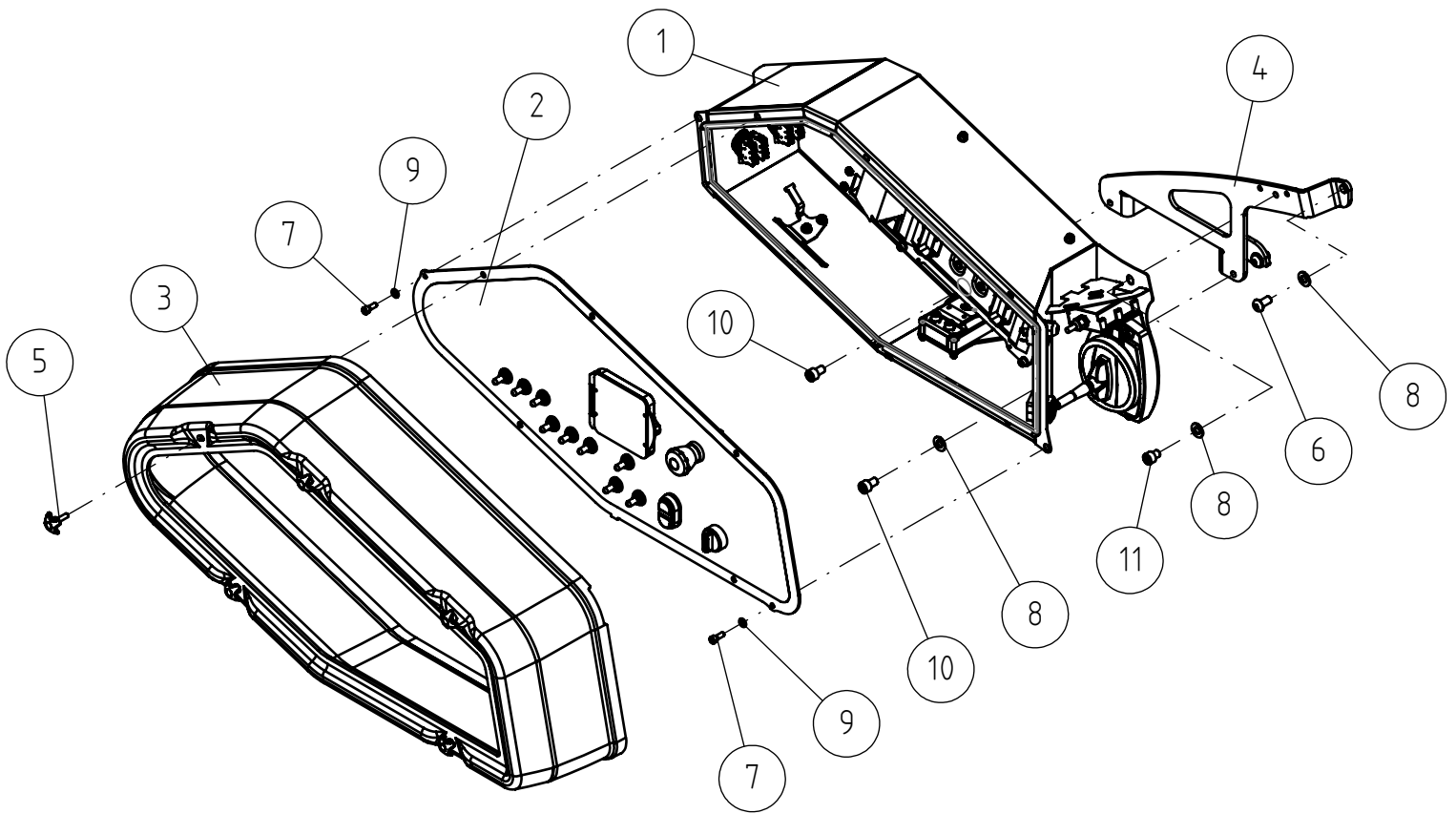
17.12.2024

A446071 PEDESTAL ASSEMBLY LEGUAN 220

REF	PART NO	QTY	DESCRIPTION	NOTES	PAGE
1	A446072	1	PEDESTAL LEGUAN 220		-
2	A455168	1	CONTROL BOX ASSEMBLY, CHASSIS		84
3	A446028	1	HOUSING WITH EQUIPMENT REMOTE CONTROL		94
4	A446450	1	HYDRAULIC MANIFOLD, LOWER BOOM		98
5	A447905	2	PIVOT PIN F=45 L=303		-
6	A455072	1	COVER PLATE, MANIFOLD LOWER BOOM		-
7	66188	4	SLIDE BEARING F34/F30-16		-
8	73090	2	SEEGER RING A45*1,75		-
9	A429201	2	HEXAGONAL SERRATED SCREW M8*20 WITH		-
10	A455639	1	DECAL DAILY INSPECTION (FIN)		-
10	A454777	1	DECAL DAILY INSPECTION		-
10	A455631	1	DECAL DAILY INSPECTION (GER)		-
10	A457780	1	DECAL DAILY INSPECTION (NL)		-
10	A457815	1	DECAL DAILY INSPECTION (ES)		-
10	A457817	1	DECAL DAILY INSPECTION (PL)		-
10	A457916	1	DECAL DAILY INSPECTION (DA)		-
10	A458052	1	DECAL DAILY INSPECTION (SK)		-
10	A458110	1	DECAL DAILY INSPECTION (SV)		-
10	A458064	1	DECAL DAILY INSPECTION (NO)		-
10	A458238	1	DECAL DAILY INSPECTION (IT)		-
10	A456314	1	DECAL DAILY INSPECTION (FR)		-

17.12.2024

A455168 CONTROL BOX ASSEMBLY, CHASSIS



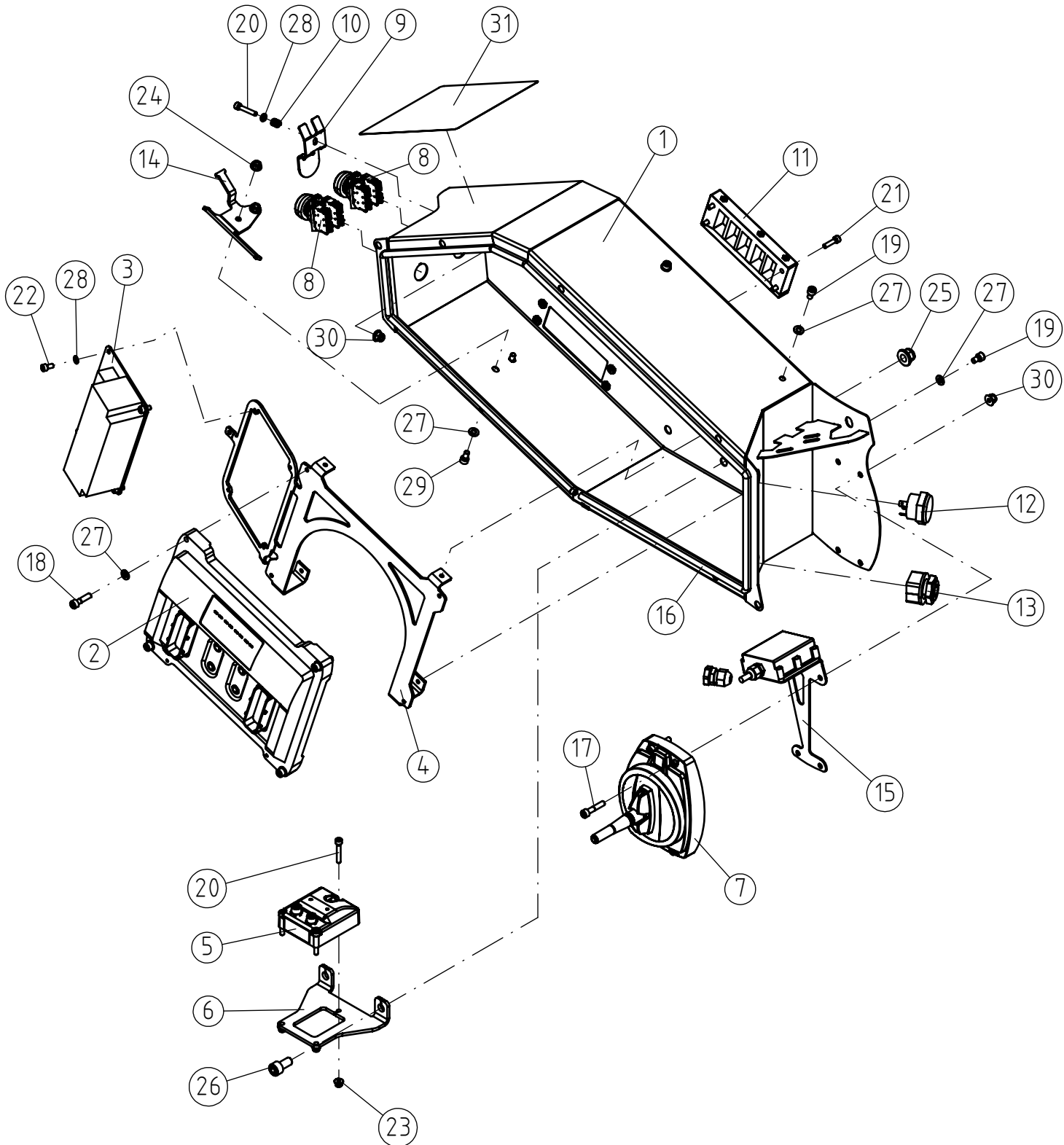
17.12.2024

A455168 CONTROL BOX ASSEMBLY, CHASSIS

REF	PART NO	QTY	DESCRIPTION	NOTES	PAGE
1	A445921	1	CONNECTION BOX ON PIEDESTAL LEGUAN 220		86
2	A455166	1	CONTROL PANEL ASSEMBLY, CHASSIS		90
3	A455479	1	HOUSING, LOWER CONTROLS		-
3	A458990	1	HOUSING GREY, LOWER CONTROLS		-
4	A470025	1	MOUNTING BRACKET, CONTROL BOX		-
5	A436239	5	STAR GRIP SCREW M6*20 BLACK		-
6	A437915	3	HEXAGONAL HEAD SCREW M10*20 10.9 2		-
7	73766	2	HEXAGONAL HEAD SCREW M6*16 DIN 912 2 8.8		-
8	73121	6	WASHER M10 A10,5 DIN 125 ZN		-
9	71680	2	WASHER M6 DIN 125		-
10	74954	2	HEXAGONAL HEAD SCREW M10*16 DIN 912		-
11	A468420	1	HEXAGONAL HEAD SCREW M10*12 DIN 912 8.8		-

17.12.2024

A445921 CONNECTION BOX ON PIEDESTAL LEGUAN 220



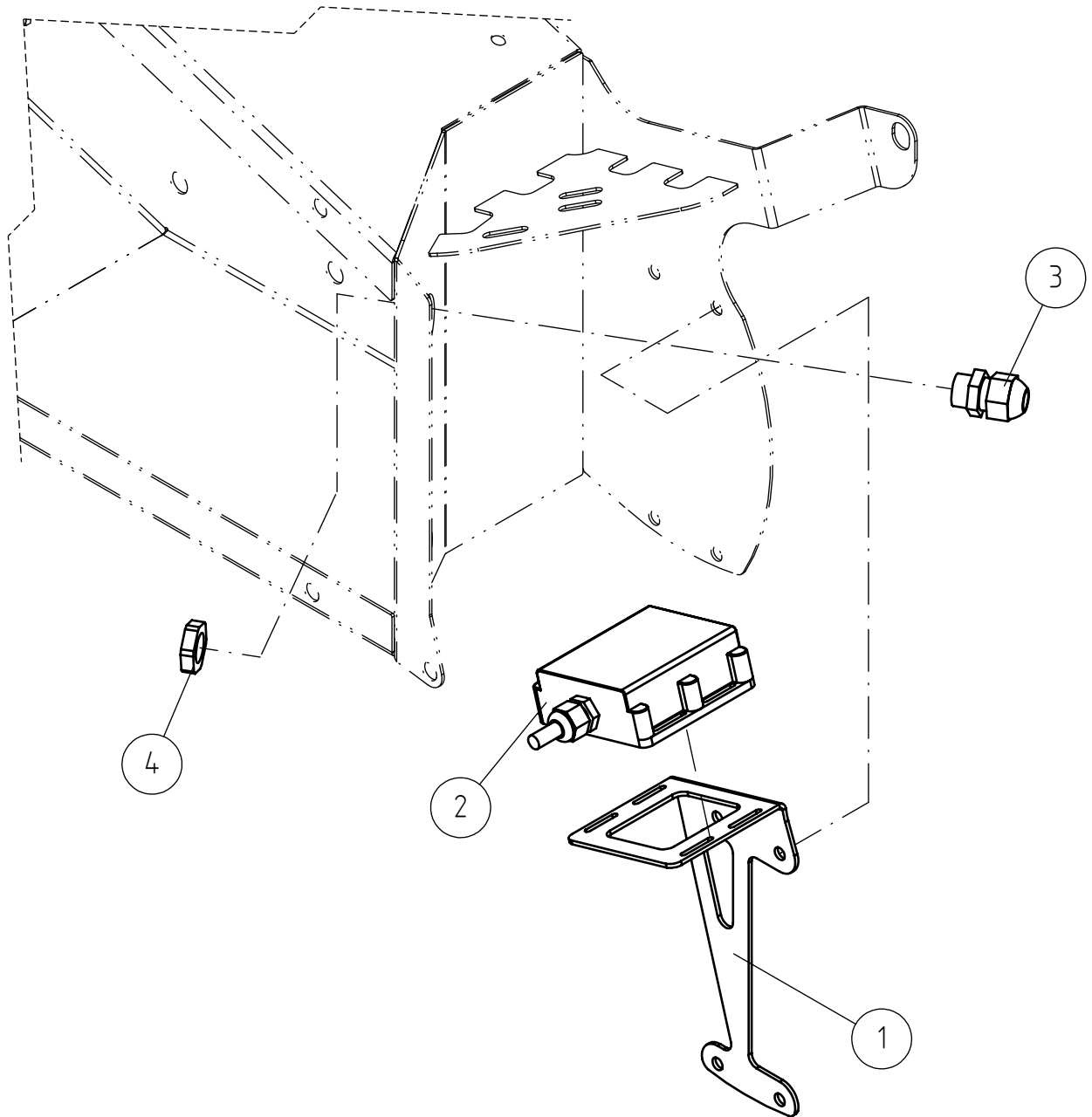
17.12.2024

A445921 CONNECTION BOX ON PIEDESTAL LEGUAN 220

REF	PART NO	QTY	DESCRIPTION	NOTES	PAGE
1	A464484	1	CONTROL BOX		-
2	A445486	1	SAFETY CONTROLLER		-
2.1	A458371	1	ETHERNET CABLE, LOGIC CONTROLLER		-
3	A449851	1	CIRCUIT BOARD CONTROL BOX PEDESTAL		-
4	A445984	1	MOUNTING BRACKET, LOGIC CONTROLLER		-
5	A457905	1	SLOPE SENSOR, CHASSIS LEGUAN 220		-
6	A455207	1	MOUNTING BRACKET, SLOPE SENSOR CHASSIS		-
7	A444346	1	RECEIVER REMOTE CONTROL 2,4 GHZ LEGUAN		-
8	A421458	2	PUSHBUTTON 2*NO WHITE		-
9	A452827	1	COVER PLATE, OVERRIDE BUTTON		-
10	65204	1	COMPRESSION SPRING 1*7*20		-
11	75011	1	CABLE ENTRY FRAME KEL-ER 24/10		-
12	64955	1	ALARM BEEPER SONITRON SCI 535 A5 F2		-
13	75033	1	CABLE GLAND, SPLIT, M25*1.5 IP54		-
14	A455653	1	BINDING BRACKET, CONNECTION BOX		-
15	A457387	1	GPS TRACKER ASSEMBLY		88
16	A457408	1	SEALING TAPE, CONTROL PANEL CHASSIS		-
17	74476	4	HEXAGONAL HEAD SCREW M6* 30		-
18	71880	4	HEXAGONAL HEAD SCREW M 6*25 DIN 912 2		-
19	75089	5	HEXAGONAL HEAD SCREW M6*10 DIN912 2		-
20	74694	4	HEXAGONAL SCREW M5*30 DIN 912		-
21	75094	4	HEXAGONAL HEAD SCREW M5*20 DIN912 2		-
22	74471	4	HEXAG. HEAD SCREW M 5* 10 DIN 912 ZN		-
23	A447716	3	HEXAGONAL NUT M5 NYLOC DIN 6926		-
24	A452923	2	HEXAGONAL NUT M6 DIN 6923		-
25	A453721	1	HEXAGONAL NUT M10 NYLOC DIN 6923		-
26	A456729	1	HEXAGONAL HEAD SCREW M10*20 DIN 912		-
27	71680	11	WASHER M6 DIN 125		-
28	74448	5	WASHER M5 A5,3 DIN 125 ZN		-
29	A429653	2	HEXAGONAL HEAD SCREW M6*12 DIN 912 2 8.8		-
30	A450669	5	NUT M6 NYLOC WITH FLANGE		-
31	A455638	1	DECAL EMERGENCY PROCEDURES (FIN)		-
31	A454782	1	DECAL, EMERGENCY PROCEDURES		-
31	A455630	1	DECAL EMERGENCY PROCEDURES (GER)		-
31	A457779	1	DECAL EMERGENCY PROCEDURES (NL)		-
31	A457814	1	DECAL EMERGENCY PROCEDURES (ES)		-
31	A457816	1	DECAL EMERGENCY PROCEDURES (PL)		-
31	A457915	1	DECAL EMERGENCY PROCEDURES (DA)		-
31	A458051	1	DECAL EMERGENCY PROCEDURES (SK)		-
31	A458109	1	DECAL EMERGENCY PROCEDURES (SV)		-
31	A458063	1	DECAL EMERGENCY PROCEDURES (NO)		-
31	A458236	1	DECAL EMERGENCY PROCEDURES (IT)		-
31	A456315	1	DECAL EMERGENCY PROCEDURES (FR)		-

17.12.2024

A457387 GPS TRACKER ASSEMBLY



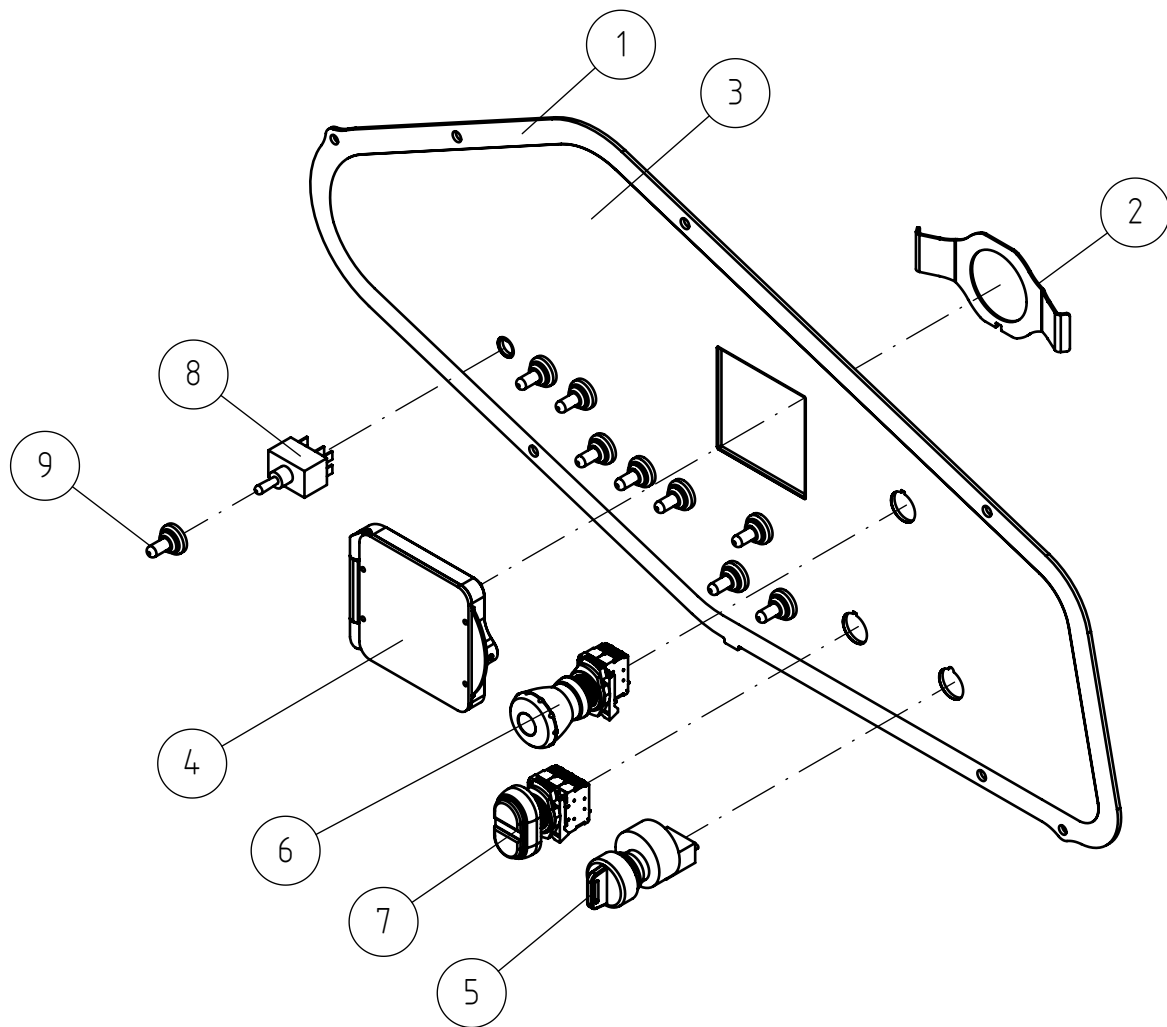
17.12.2024

A457387 GPS TRACKER ASSEMBLY

REF	PART NO	QTY	DESCRIPTION	NOTES	PAGE
1	A456765	1	MOUNTING BRACKET, GPS TRACKER		-
2	A421189	1	GPS TRACKER LEGUAN		-
3	74889	1	CAP NUT CABLE GLAND, PLASTIC PG9		-
4	74894	1	LOCK NUT PG9		-

17.12.2024

A455166 CONTROL PANEL ASSEMBLY, CHASSIS



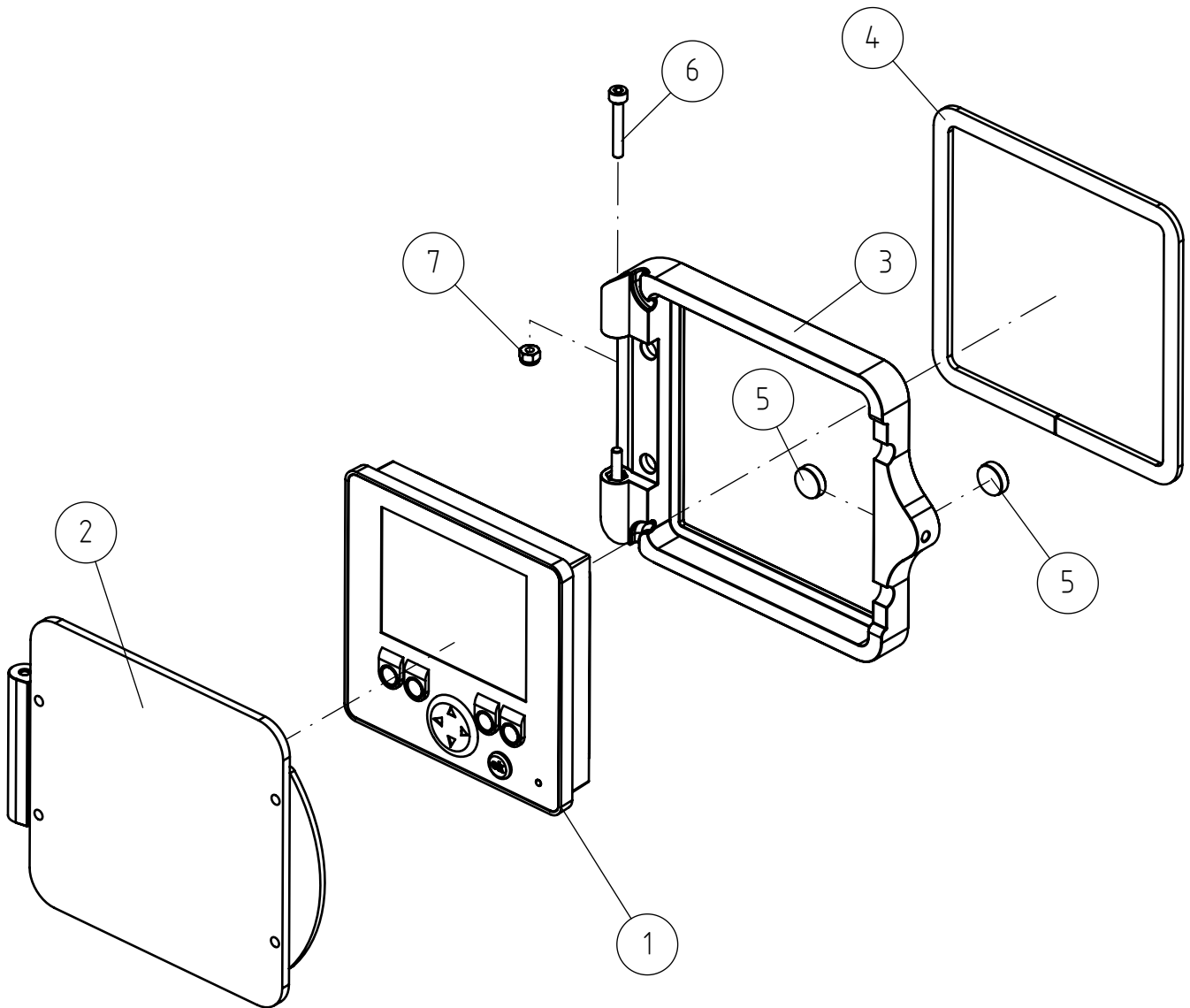
17.12.2024

A455166 CONTROL PANEL ASSEMBLY, CHASSIS

REF	PART NO	QTY	DESCRIPTION	NOTES	PAGE
1	A445980	1	LID CONTROL BOX LEGUAN 220		-
2	A452851	1	LOCKING PLATE, DISPLAY		-
3	A454653	1	DECAL LOWER CONTROLS		-
4	A457922	1	DISPLAY ASSEMBLY, LOWER CONTROLS		92
5	A453221	1	KEY SWITCH 4 POSITIONS		-
6	A419326	1	EMERGENCY STOP 2*NC		-
7	A423432	1	PUSHBUTTON WITH 2 BUTTONS + GREEN LIGHT		-
8	A430207	9	ROCKER SWITCH 3-POSITION		-
9	A430208	9	SEALING BOOT RUBBER, ROCKER SWITCH		-

17.12.2024

A457922 DISPLAY ASSEMBLY, LOWER CONTROLS



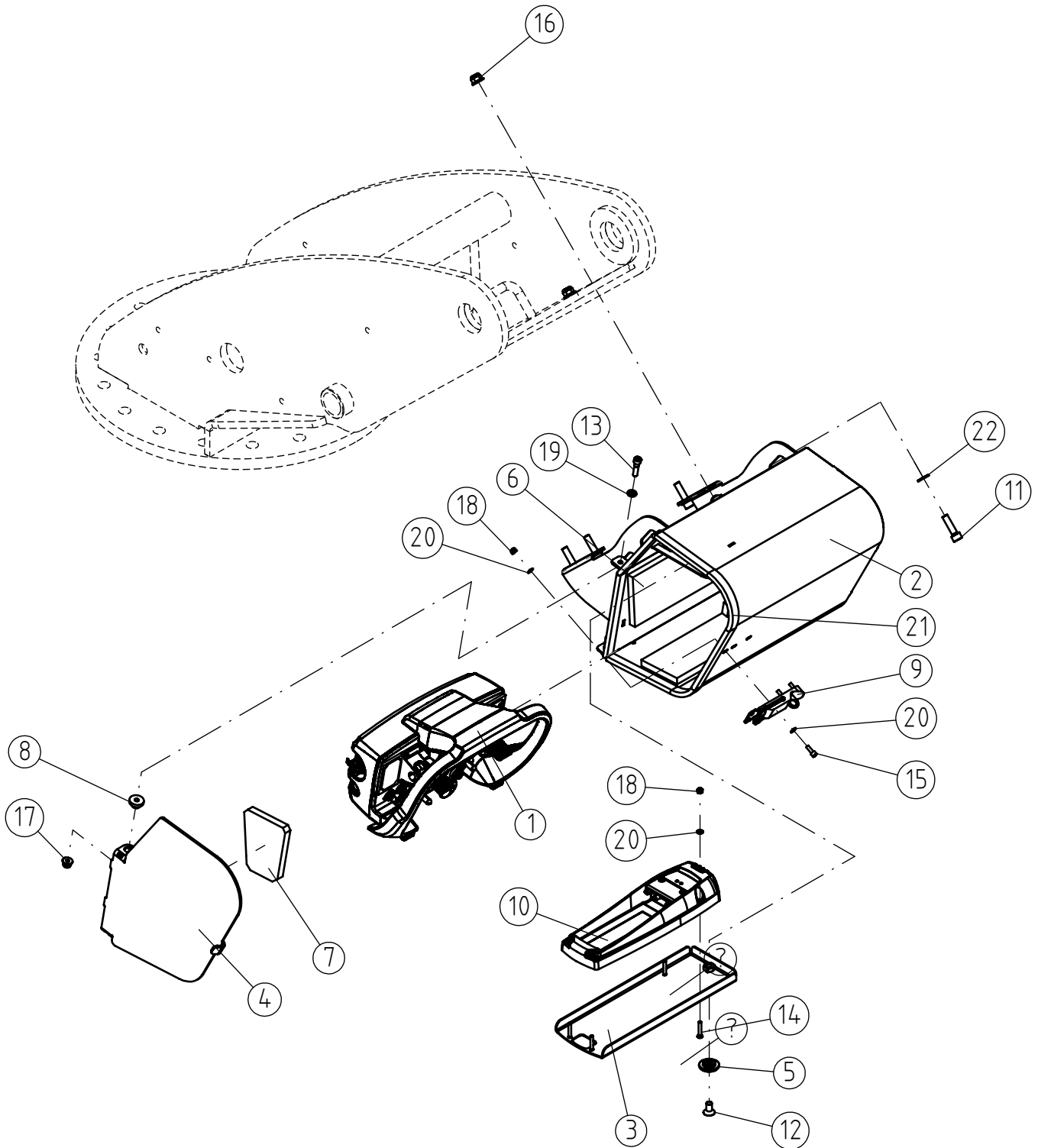
17.12.2024

A457922 DISPLAY ASSEMBLY, LOWER CONTROLS

REF	PART NO	QTY	DESCRIPTION	NOTES	PAGE
1	A457924	1	DISPLAY CODED		-
2	A443717	1	LID ASSEMBLY DISPLAY LEGUAN 190		-
3	A441679	1	FRAME SCREEN PROTECTOR		-
4	A457925	1	SEALING TAPE, DISPLAY		-
5	A431704	2	MAGNET 10MM X 3MM		-
6	A435740	2	HEXAGONAL HEAD SCREW M3*20 DIN 912		-
7	75151	2	HEXAGONAL NUT M3 DIN 985 NYLOC 2		-

17.12.2024

A446028 HOUSING WITH EQUIPMENT REMOTE CONTROL



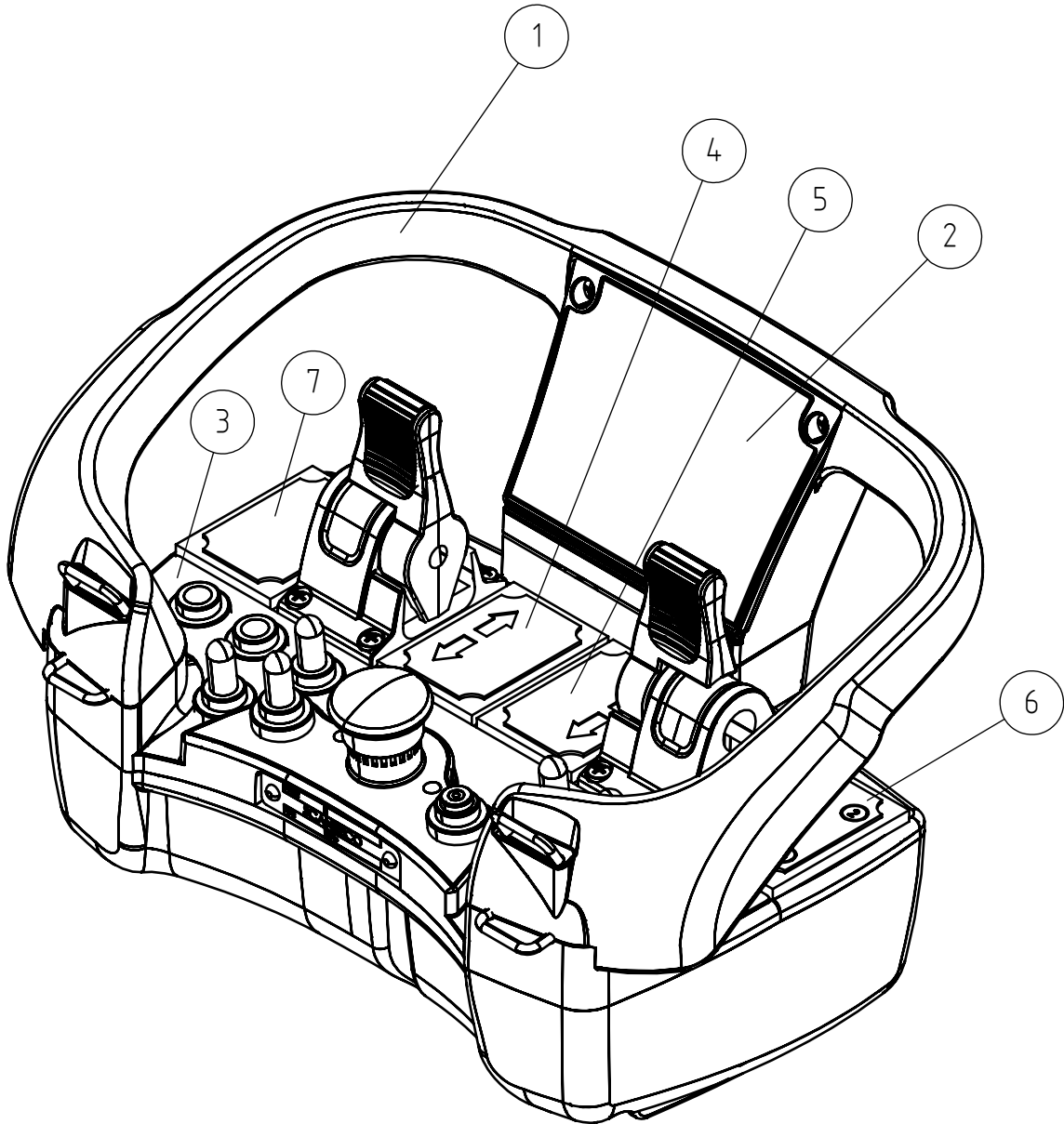
17.12.2024

A446028 HOUSING WITH EQUIPMENT REMOTE CONTROL

REF	PART NO	QTY	DESCRIPTION	NOTES	PAGE
1	A444292	1	REMOTE CONTROL UNIT 2,4 GHZ ASSEMBLY		96
2	A446850	1	BOX, REMOTE CONTROL		-
3	A422885	1	PULLOUT SHELF BOX REMOTE CONTROL UNIT		-
4	A451899	1	DOOR, REMOTE CONTROL BOX		-
5	A451999	1	SLIDE SLEEVE, CHARGER BRACKET		-
6	A432522	1	PADDING, BOX REMOTE CONTROL		-
7	A432521	1	PADDING, DOOR, BOX REMOTE CONTROL		-
8	A420735	2	BUSHING, LOWER CONTROLS LEGUAN 160M2		-
9	A432310	1	LATCH + HOOK		-
10	66177	1	BATTERY CHARGER SCANRECO 230VAC		-
11	73100	4	HEXAGONAL HEAD SCREW M8*30 DIN 912 2		-
12	74938	1	COUNTERSUNK HEAD SCREW M8*16		-
13	71880	2	HEXAGONAL HEAD SCREW M 6*25 DIN 912 2		-
14	74582	4	CROSS-SLOT COUNTERSUNK HEAD SCREW M4*25		-
15	75090	3	HEXAGONAL HEAD SCREW M4*12 DIN912 2		-
16	A447717	4	HEXAGONAL NUT M8 NYLOC DIN 6926		-
17	A450669	2	NUT M6 NYLOC WITH FLANGE		-
18	72313	7	HEXAGONAL NUT M4 DIN 985 NYLOC		-
19	71680	2	WASHER M6 DIN 125		-
20	75097	10	WASHER M4 A4,3 DIN 125		-
21	A454055	1	WEATHER STRIP, REMOTE CONTROL BOX		-
22	73122	4	WASHER M8 A8,4 DIN 125 ZN		-

17.12.2024

A444292 REMOTE CONTROL UNIT 2,4 GHZ ASSEMBLY



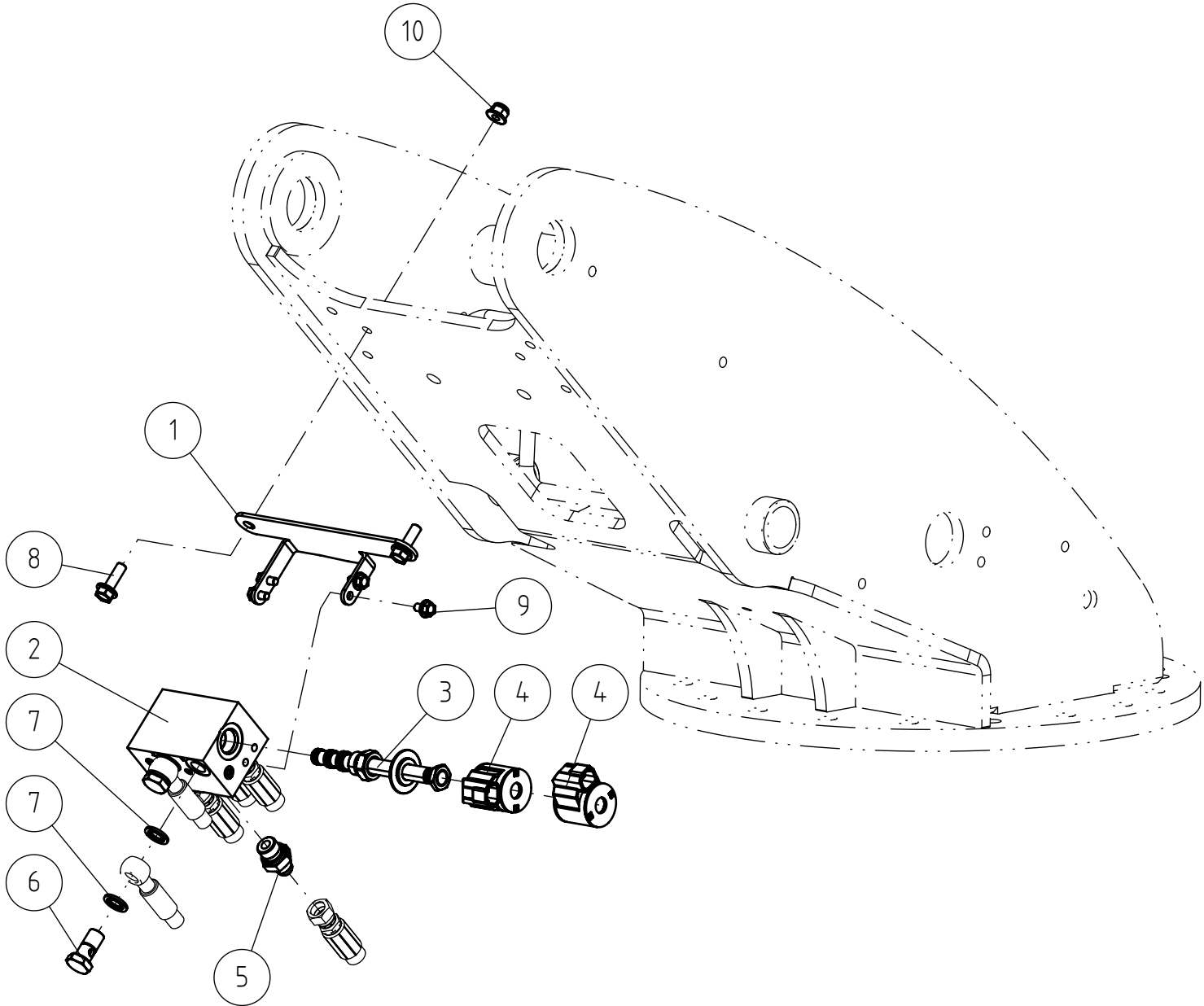
17.12.2024

A444292 REMOTE CONTROL UNIT 2,4 GHZ ASSEMBLY

REF	PART NO	QTY	DESCRIPTION	NOTES	PAGE
1	A444344	1	REMOTE CONTROL UNIT 2,4 GHZ		-
2	A435901	1	DECAL "LEGUAN 190" REMOTE CONTROL UNIT		-
3	A435902	1	DECAL SYMBOLS REMOTE CONTROL LEGUAN 190		-
4	A435898	1	DECAL DRIVING DIRECTION 1 REMOTE CONTROL		-
5	A435899	1	DECAL DRIVING DIRECTION 2 REMOTE CONTROL		-
6	A435897	1	DECAL OUTRIGGERS REMOTE CONTROL LEGUAN		-
7	A435900	1	DECAL EMPTY/BLACK REMOTE CONTROL UNIT		-

17.12.2024

A446450 HYDRAULIC MANIFOLD, LOWER BOOM



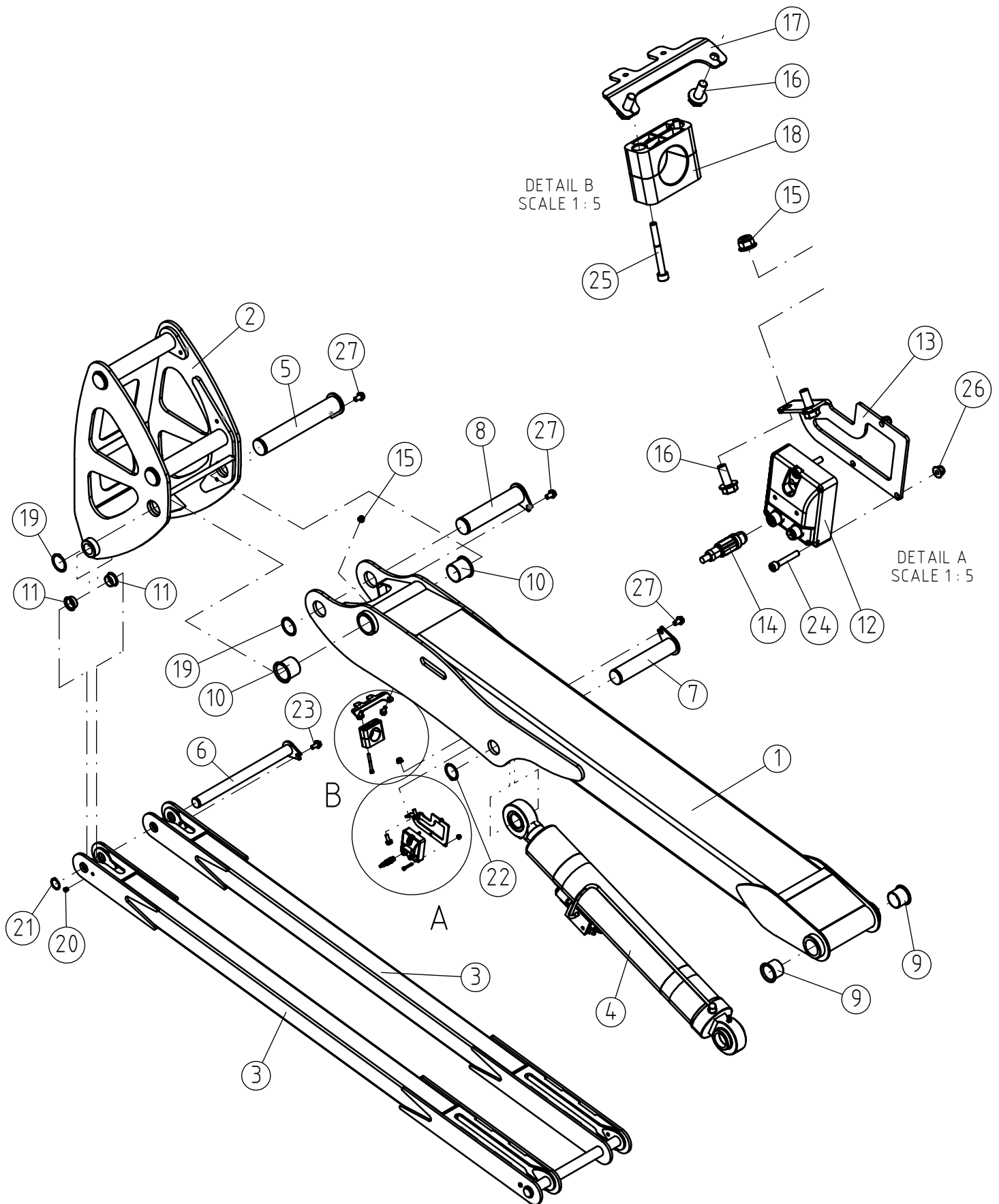
17.12.2024

A446450 HYDRAULIC MANIFOLD, LOWER BOOM

REF	PART NO	QTY	DESCRIPTION	NOTES	PAGE
1	A446622	1	MOUNTING BRACKET, HYDR. MANIFOLD LOWER		-
2	A446448	1	HYDRAULIC MANIFOLD BOOM LIFT LEGUAN 220		-
3	A434710	1	PROPORTIONAL VALVE CARTRIDGE	Install torque 35 Nm, end nut 6 Nm	-
3.1	A443085	1	SEAL KIT VALVE CARTRIDGE SK08-4N-MMM		-
4	A444551	2	SOLENOID 12V DEUTSCH CONNECTOR 08		-
5	64041	4	BASIC FITTING F40XS10-3/8 /8		-
6	64557	2	BANJO BOLT R 1/4"	45 Nm	-
7	73757	4	USIT COMPRESSION R1/4"		-
8	A429202	2	HEXAGONAL SERRATED SCREW M8*25 WITH		-
9	A431969	4	HEXAGONAL SERRATED SCREW M6*10 W. FLANG		-
10	A447717	2	HEXAGONAL NUT M8 NYLOC DIN 6926		-

17.12.2024

A446083 LOWER BOOM 1 ASSEMBLY LEGUAN 220



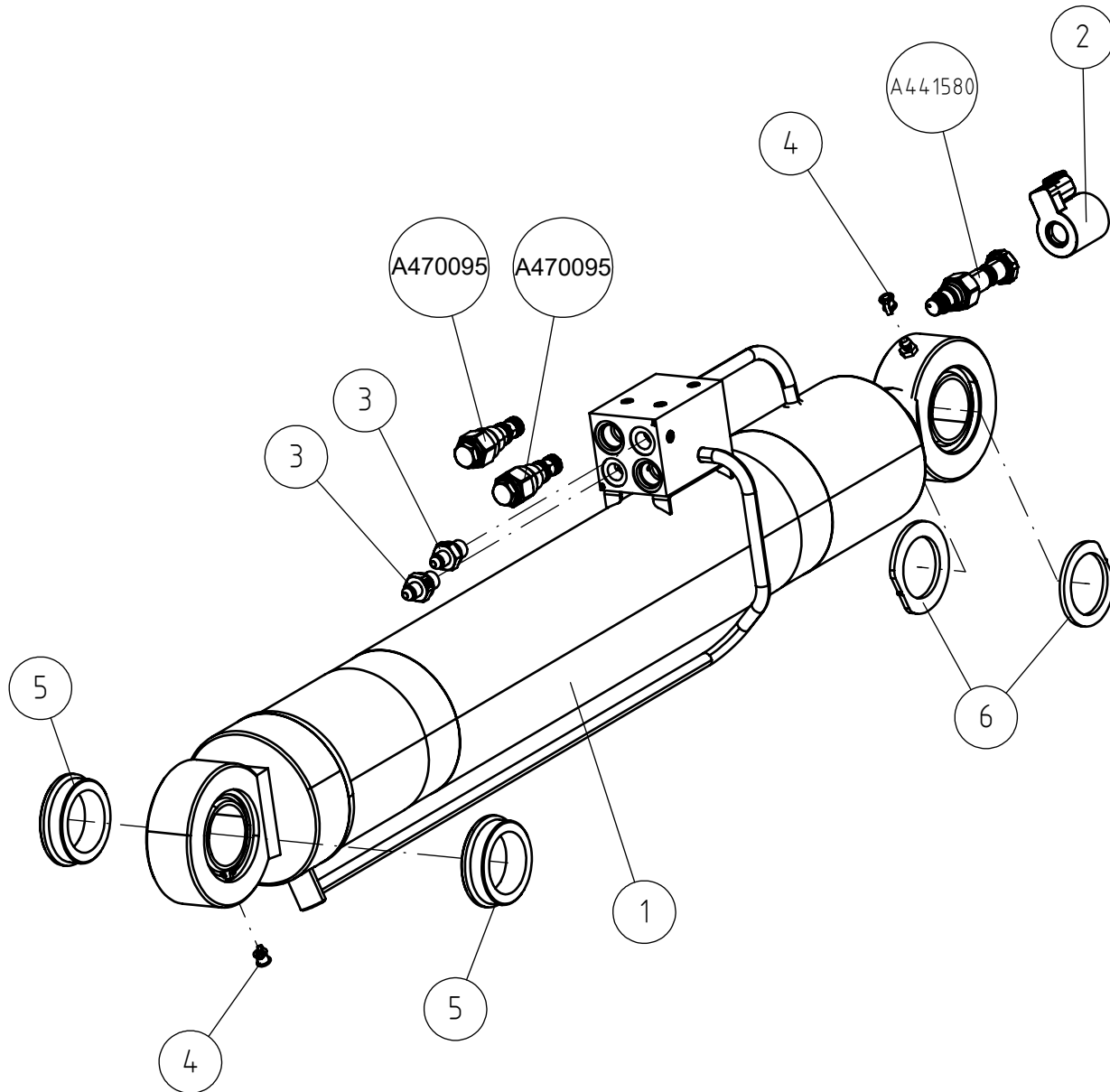
17.12.2024

A446083 LOWER BOOM 1 ASSEMBLY LEGUAN 220

REF	PART NO	QTY	DESCRIPTION	NOTES	PAGE
1	A446082	1	LOWER BOOM 1 LEGUAN 220		-
2	A446084	1	KNUCKLE PIECE 1 LEGUAN 220		-
3	A446087	2	SELF LEVELLING ROD, LOWER BOOM		-
4	A446431	1	LIFT CYLINDER ASSEMBLY LEGUAN 220		102
5	A454045	3	PIVOT PIN F=50 L=303		-
6	A446273	2	PIVOT PIN F=30 L=378		-
7	A446437	1	PIVOT PIN F=45 L=223		-
8	A447914	1	PIVOT PIN F=50 L=223		-
9	66190	2	SLIDE BEARING F50/F45-40		-
10	66333	2	SLIDE BEARING F55/F50-50 WITH FLANG		-
11	66188	4	SLIDE BEARING F34/F30-16		-
12	A457907	1	SLOPE SENSOR, LOWER BOOM LEGUAN 220		-
13	A446434	1	MOUNTING BRACKET, SLOPE SENSOR LOWER		-
14	66136	1	TERMINATION RESISTOR CAN OPEN		-
15	A447717	4	HEXAGONAL NUT M8 NYLOC DIN 6926		-
16	A429201	4	HEXAGONAL SERRATED SCREW M8*20 WITH		-
17	A446682	1	MOUNTING BRACKET, HOSE CLAMP		-
18	A457355	1	PIPE CLAMP D38		-
19	74810	4	SEEGER RING		-
20	74996	2	PLUG, PLASTIC, F12/F8,5 FOR ROUND TUBE		-
21	74409	2	SEEGER RING A30*1,5 DIN 471		-
22	73090	1	SEEGER RING A45*1,75		-
23	A432196	2	HEXAGONAL SERRATED SCREW M10*20 W. FLANG		-
24	74694	3	HEXAGONAL SCREW M5*30 DIN 912		-
25	74478	2	HEXAGONAL HEAD SCREW M6* 55		-
26	A447716	3	HEXAGONAL NUT M5 NYLOC DIN 6926		-
27	A436874	5	HEXAGONAL SCREW M12*20 2		-

17.12.2024

A446431 LIFT CYLINDER ASSEMBLY LEGUAN 220



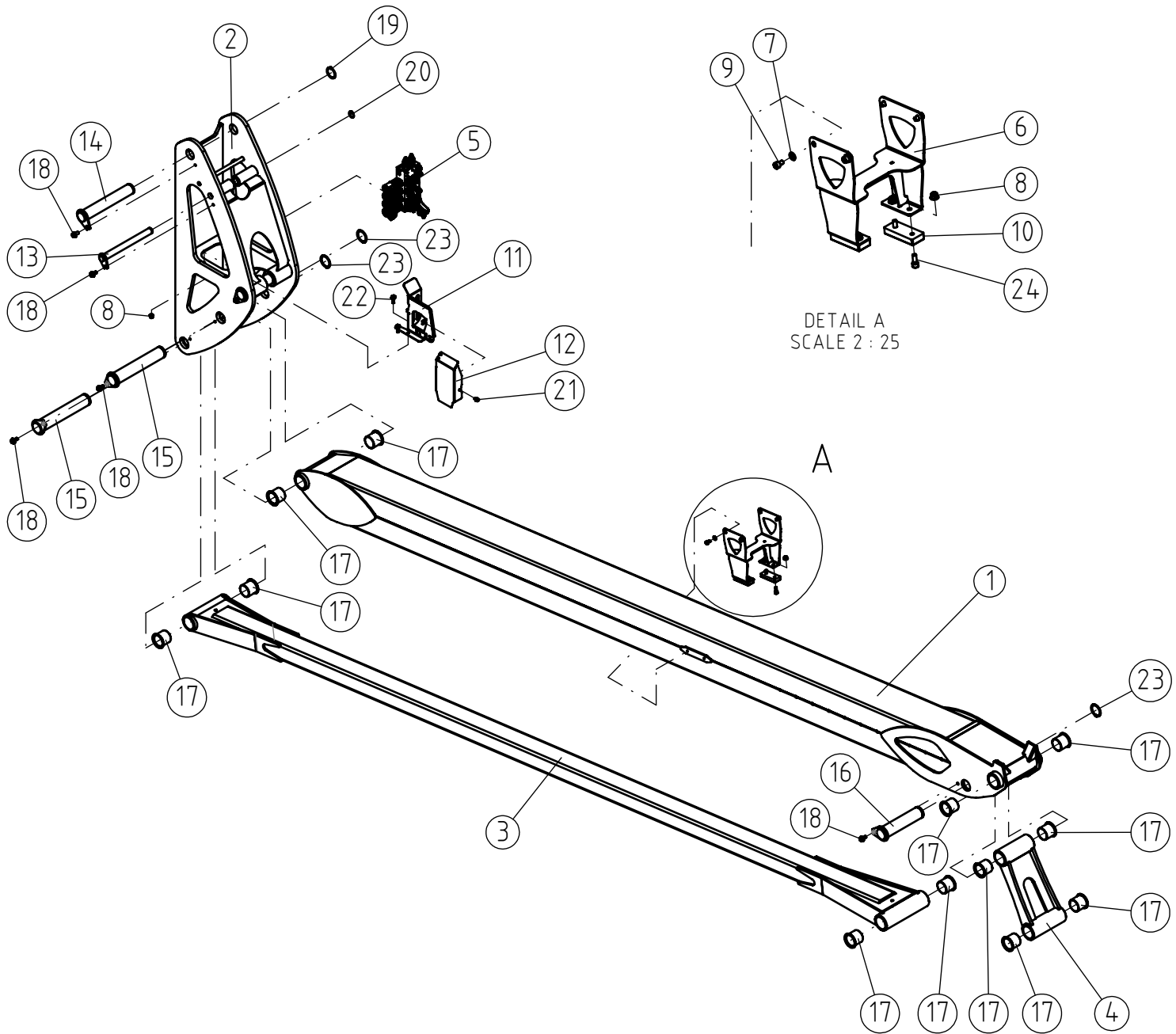
17.12.2024

A446431 LIFT CYLINDER ASSEMBLY LEGUAN 220

REF	PART NO	QTY	DESCRIPTION	NOTES	PAGE
1	A446086	1	HYDR. CYLINDER ASSEMBLY, LOWER BOOM		-
1.1	65147	2	VALVE CARTRIDGE LOAD CONTROL VALVE	Install torque 40 Nm	-
1.2	A441580	1	VALVE CARTRIDGE 2-WAY POPPET TYPE	Install torque 45 Nm	-
1.3	A458385	1	SEAL KIT HYDR. CYLINDER 100/63 NORRHIDRO		-
2	A441592	1	SOLENOID 12VDC / 20W DEUTSCH CONNECTOR		-
3	64678	2	BASIC FITTING F40XS6-1/4"		-
4	A456064	2	CAP, GREASE NIPPLE		-
5	A457421	2	SPACER D62/D45		-
6	A466607	1	SPACER PAIR 45		-

17.12.2024

A446058 LOWER BOOM 2 ASSEMBLY LEGUAN 220



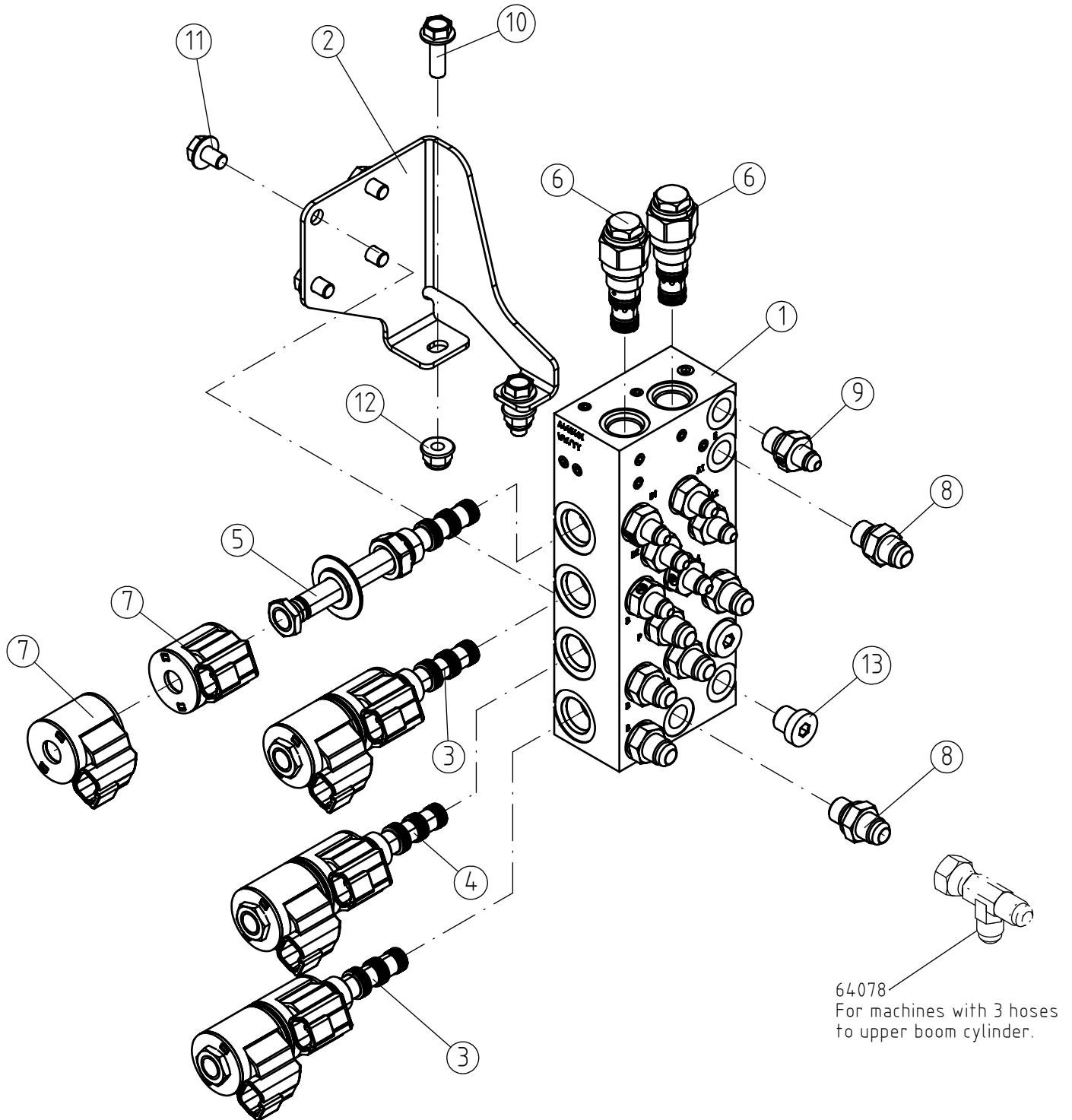
17.12.2024

A446058 LOWER BOOM 2 ASSEMBLY LEGUAN 220

REF	PART NO	QTY	DESCRIPTION	NOTES	PAGE
1	A446057	1	LOWER BOOM 2 LEGUAN 220		-
2	A446064	1	KNUCKLE PIECE 2 LEGUAN 220		-
3	A446067	1	SELF LEVELLING ROD, MIDDLE BOOM		-
4	A446068	1	REACTION ROD LOWER BOOM		-
5	A445482	1	HYDR. MANIFOLD ASSEMBLY, BOOM		106
6	A446771	1	TRANSPORT SUPPORT, LOWER BOOM		-
7	73122	4	WASHER M8 A8,4 DIN 125 ZN		-
8	A447717	6	HEXAGONAL NUT M8 NYLOC DIN 6926		-
9	74932	4	HEXAGONAL HEAD SCREW M8*12		-
10	A444547	2	WEAR PAD REAR LOWER MIDDLE BOOM LEGUAN		-
11	A452253	1	GUIDE BRACKET, KNUCKLE PIECE		-
12	A453830	1	COVER PLATE, COUPLINGS		-
13	A445429	1	PIVOT PIN F=25 L=275		-
14	A445426	2	PIVOT PIN F=45 L=275		-
15	A447910	2	PIVOT PIN F=50 L=275		-
16	A446069	1	PIVOT PIN F=50 L=275		-
17	66333	12	SLIDE BEARING F55/F50-50 WITH FLANG		-
18	A432196	6	HEXAGONAL SERRATED SCREW M10*20 W. FLANG		-
19	73090	2	SEEGER RING A45*1,75		-
20	73326	1	SEEGER RING A25*1,2		-
21	A431969	1	HEXAGONAL SERRATED SCREW M6*10 W. FLANG		-
22	A429202	2	HEXAGONAL SERRATED SCREW M8*25 WITH		-
23	74810	3	SEEGER RING		-
24	74481	4	HEXAGONAL HEAD SCREW M8*20 DIN 912 ZN		-

17.12.2024

A445482 HYDR. MANIFOLD ASSEMBLY, BOOM



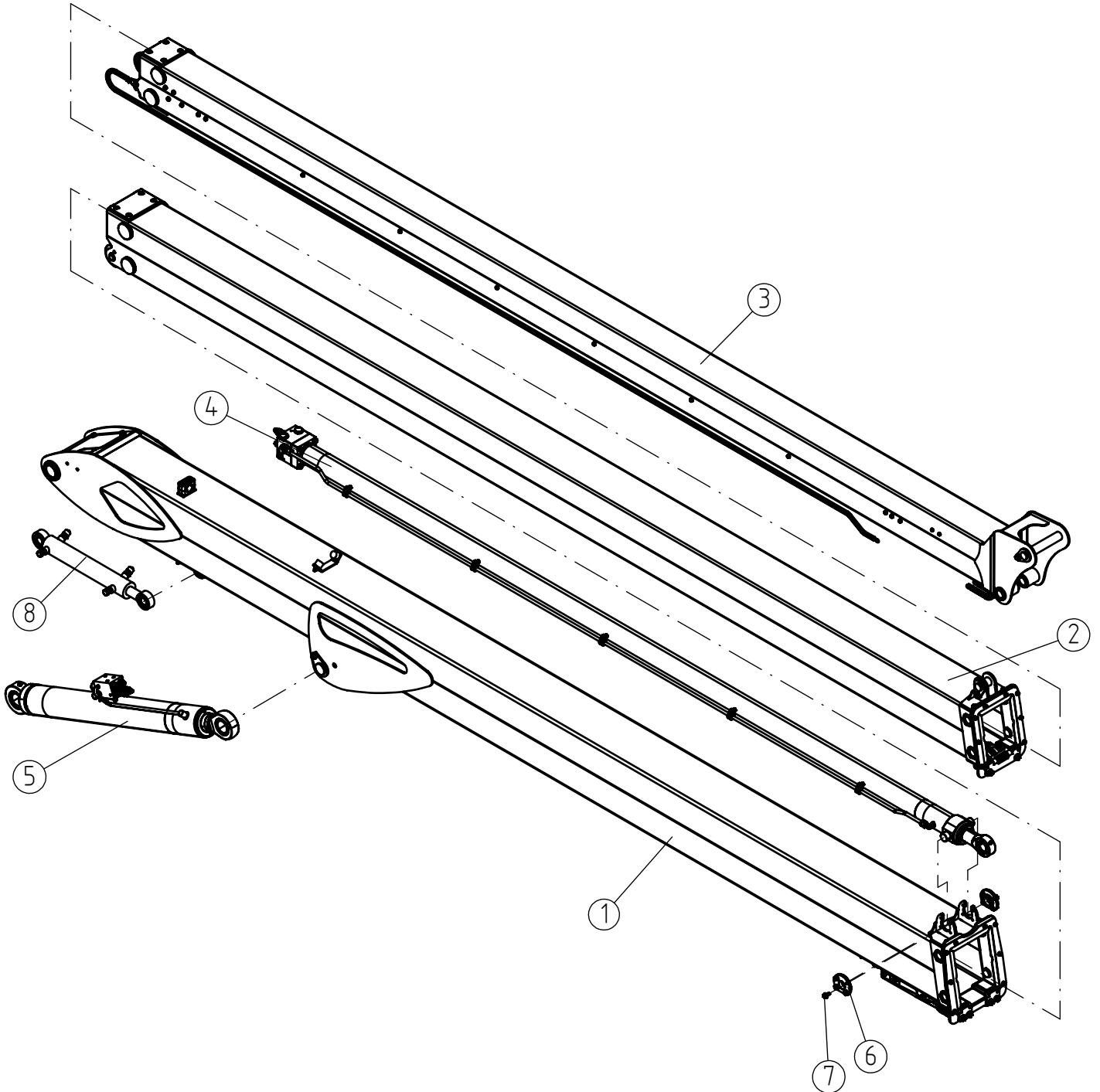
17.12.2024

A445482 HYDR. MANIFOLD ASSEMBLY, BOOM

REF	PART NO	QTY	DESCRIPTION	NOTES	PAGE
1	A445481	1	HYDRAULIC MANIFOLD, BOOM MANIFOLD		-
2	A447333	1	MOUNTING BRACKET, BOOM MANIFOLD		-
3	A434710	2	PROPORTIONAL VALVE CARTRIDGE	Install torque 35 Nm, end nut 6 Nm	-
3.1	A443085	1	SEAL KIT VALVE CARTRIDGE SK08-4N-MMM		-
4	A445539	1	PROPORTIONAL VALVE CARTRIDGE 4/3	Install torque 35 Nm, end nut 6 Nm	-
5	A454498	1	PROPORTIONAL VALVE CARTRIDGE 4/3	Install torque 35 Nm, end nut 6 Nm	-
6	A470095	2	VALVE CARTRIDGE LOAD CONTROL VALVE	Install torque 40 Nm	-
7	A444551	8	SOLENOID 12V DEUTSCH CONNECTOR 08		-
8	64059	7	BASIC FITTING F40XS10-1/4		-
9	64678	7	BASIC FITTING F40XS6-1/4"		-
10	A429202	2	HEXAGONAL SERRATED SCREW M8*25 WITH		-
11	A429197	4	HEXAGONAL SERRATED SCREW M8*12 W. FLANGE		-
12	A447717	2	HEXAGONAL NUT M8 NYLOC DIN 6926		-
13	64700	2	HEXAGONAL PLUG R 1/4"		-

17.12.2024

A444563 UPPER BOOM ASSEMBLY LEGUAN 220



17.12.2024

A444563 UPPER BOOM ASSEMBLY LEGUAN 220

REF	PART NO	QTY	DESCRIPTION	NOTES	PAGE
1	A444561	1	UPPER BOOM WITH CHAIN LEGUAN 220		110
2	A444556	1	MIDDLE BOOM ASSEMBLY LEGUAN 220		114
3	A444541	1	TELESCOPIC BOOM ASSEMBLY LEGUAN 220		118
4	A445220	1	TELESCOPIC CYLINDER ASSEMBLY LEGUAN 220		120
5	A445143	1	HYDR. CYLINDER UPPER BOOM WITH VALVES		122
6	A421817	2	MOUNTING FLANGE HYDR. CYLINDER L190		-
7	A429200	8	HEXAGONAL SERRATED SCREW M8*16 WITH		-
8	A453697	1	MAIN SELF LEVELLING CYL. ASSEMBLY		124

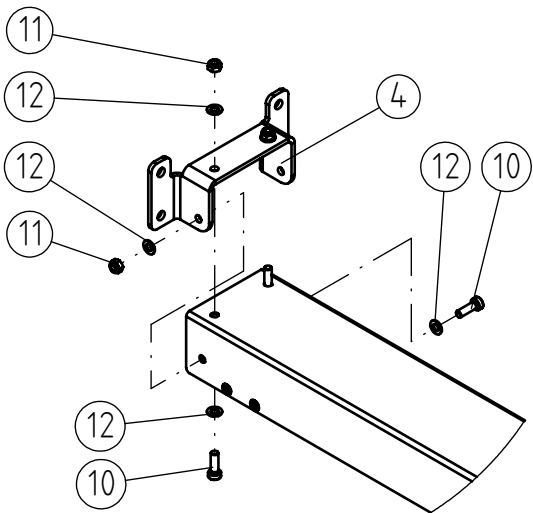
17.12.2024

A444561 UPPER BOOM WITH CHAIN LEGUAN 220

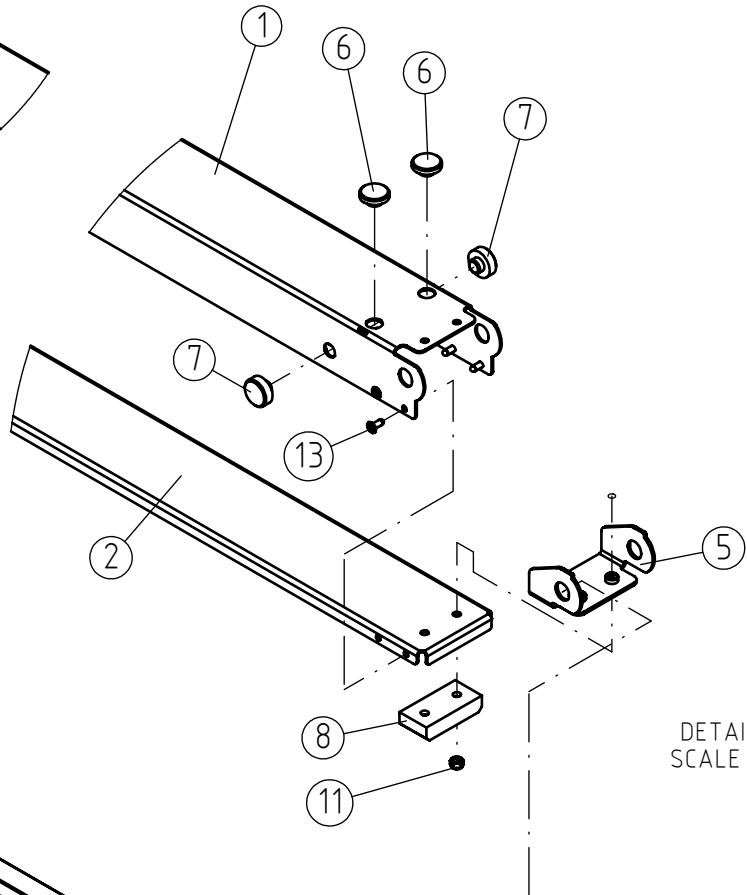
REF	PART NO	QTY	DESCRIPTION	NOTES	PAGE
1	A444562	1	UPPER BOOM LEGUAN 220		-
2	A445164	1	ALUMINIUM CHANNEL CABLE CARRIER CHAIN		112
3	A444569	1	PROTECTIVE COVER, CHAIN TIGHTENER		-
4	A445159	1	COVER PLATE, UPPER BOOM		-
5	A444567	1	BRACKET, WEAR PAD UPPER		-
6	A421806	2	BRACKET LOWER, UPPER BOOM L190		-
7	A455883	4	TIGHTENING BOLT, ADJUSTABLE		-
8	A444568	1	WEAR PAD FRONT UP TELESCOPIC BOOM LEGUAN		-
9	A421808	2	WEAR PAD FRONT DOWN MIDDLE BOOM L190		-
10	A422415	2	WEAR PAD REAR UPPER BOOM L190		-
11	A421773	4	WEAR PAD SIDE, MIDDLE BOOM L190		-
12	A455884	4	SUPPORT PLATE WEAR PAD		-
13	66472	2	CLEVIS M14-172, LEAF CHAIN 4X4		-
14	A423384	2	CLEVIS, LEAF CHAIN		-
15	A444879	1	ROCKING PLATE, RETRACTION CHAIN		-
16	A444878	1	ROCKING PLATE, EXTENSION CHAIN		-
17	A460394	2	COMPRESSION SPRING 32*16*38 YELLOW		-
18	A444499	2	AXLE, LEAF CHAIN		-
19	66474	2	CLEVIS PIN F5,08-32, LEAF CHAIN		-
20	A430288	1	SENSOR, LENGTH-ANGLE, CODED, L190		-
21	66190	2	SLIDE BEARING F50/F45-40		-
22	65238	2	RUBBER MOUNT, CYLINDRICAL		-
23	75153	6	COTTER PIN 1.6*16 DIN 94		-
24	73090	1	SEEGER RING A45*1,75		-
25	A454047	1	PIVOT PIN F=45 L=217		-
26	A420433	1	PIVOT PIN F25 L=43		-
27	73326	1	SEEGER RING A25*1,2		-
28	A452064	1	MOUNTING BRACKET, LENGTH-ANGLE SENSOR		-
29	A453677	1	PIPE CLAMP D=28		-
30	A454185	1	WIPER, UPPER BOOM		-
31	A454186	1	MOUNTING PLATE, WIPER UPPER BOOM		-
32	74802	4	HEXAGON SOCKET SET SCREW M16*25		-
33	A457766	6	HEXAGONAL SERRATED SCREW M10*16 WITH		-
34	74462	4	HEXAGON SOCKET COUNT HEAD SCREW M8*25		-
35	73122	15	WASHER M8 A8,4 DIN 125 ZN		-
36	74932	9	HEXAGONAL HEAD SCREW M8*12		-
37	A445145	4	HEXAGONAL HEAD SCREW M8*16 DIN 7984		-
38	75149	3	HEXAGONAL HEAD SCREW M4*40 DIN 912 2		-
39	72327	4	HEXAGONAL NUT M 14 NYLOC DIN 985		-
40	A450669	2	NUT M6 NYLOC WITH FLANGE		-
41	73384	6	WASHER M14 A15 DIN 125 ZN		-
42	71680	10	WASHER M6 DIN 125		-
43	A429653	8	HEXAGONAL HEAD SCREW M6*12 DIN 912 2 8.8		-
44	A456069	4	HEXAGONAL NUT M16, THIN		-
45	75097	3	WASHER M4 A4,3 DIN 125		-
46	A427068	2	HEXAGONAL HEAD SCREW M6*35 DIN 912 2		-
47	A447717	6	HEXAGONAL NUT M8 NYLOC DIN 6926		-
48	71884	2	HEXAGONAL HEAD SCREW M 8*25 DIN 912 2		-
49	72313	3	HEXAGONAL NUT M4 DIN 985 NYLOC		-
50	A460642	2	BUSHING, CLEVIS		-

17.12.2024

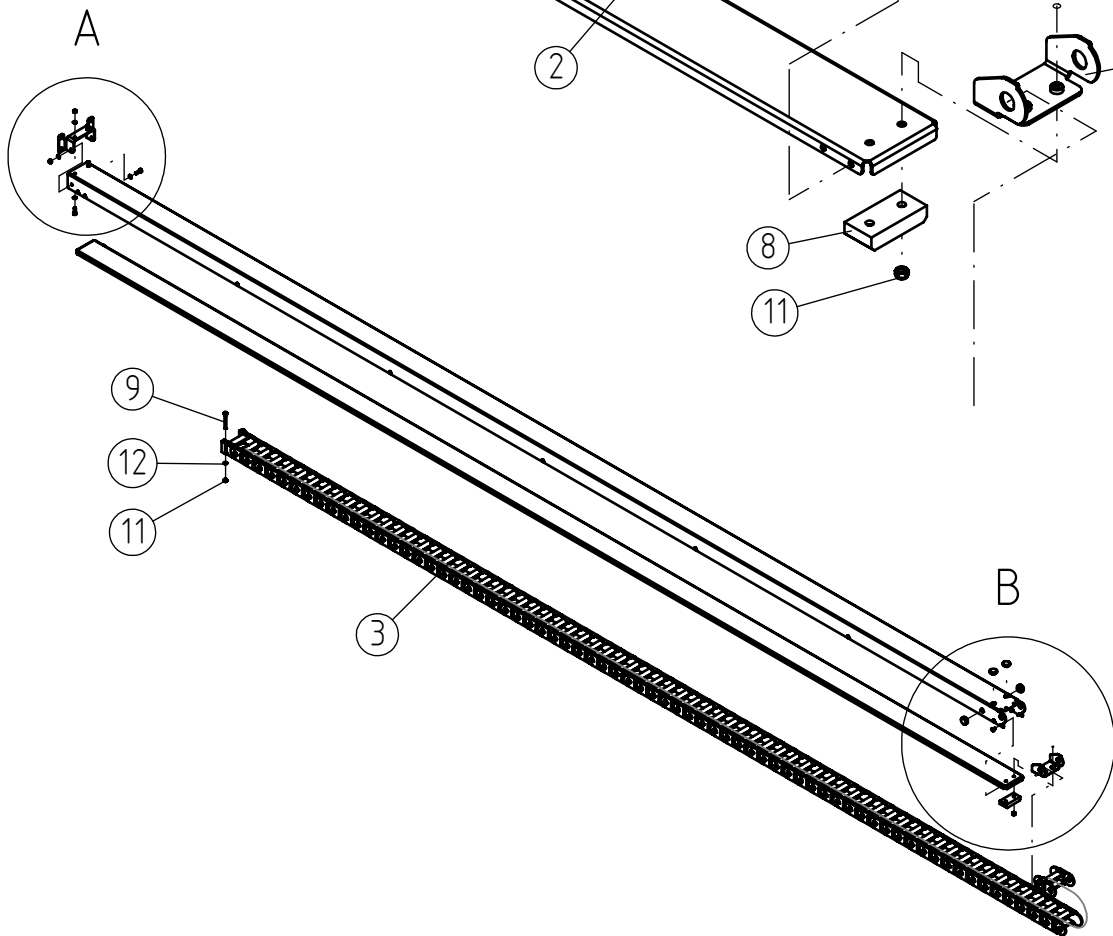
A445164 ALUMINIUM CHANNEL CABLE CARRIER CHAIN



DETAIL A
SCALE 1:5



DETAIL B
SCALE 1:5



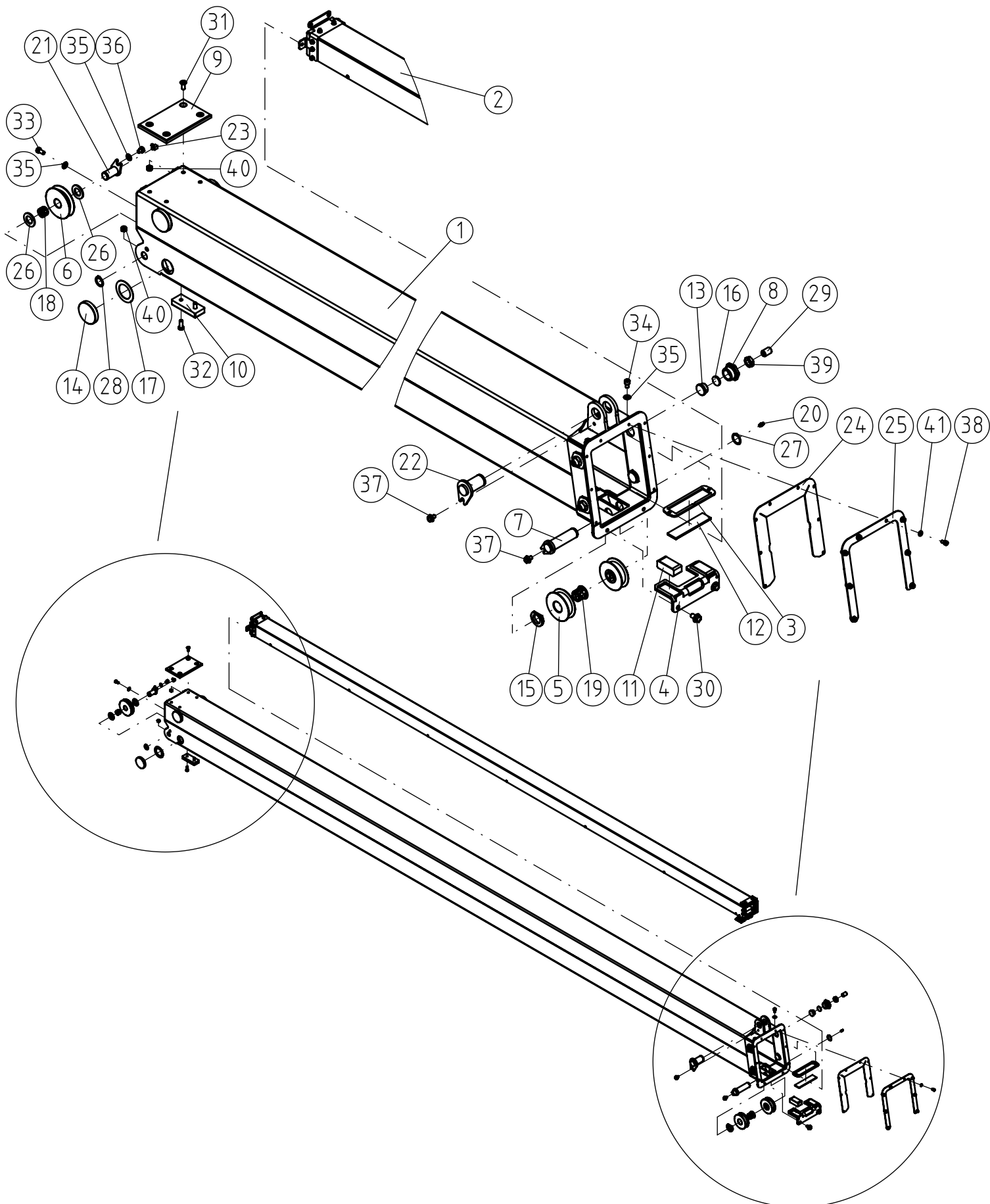
17.12.2024

A445164 ALUMINIUM CHANNEL CABLE CARRIER CHAIN

REF	PART NO	QTY	DESCRIPTION	NOTES	PAGE
1	A445162	1	U-PROFILE CABLE CARRIER CHAIN L220		-
2	A445163	1	BOTTOM, INNER CHUTE		-
3	A444461	1	CABLE CARRIER CHAIN LEGUAN 220		-
4	A444631	1	MOUNTING BRACKET, INNER CHUTE		-
5	A475076	1	MOUNTING BRACKET, CABLE CARRIER CHAIN		-
6	A444251	2	BEARING CABLE CARRIER CHAIN LEGUAN 220		-
7	A444263	2	WEAR PAD CABLE CARRYING CHAIN LEGUAN		-
8	A444189	1	WEAR PAD ALUMINIUM CHANNEL LEGUAN 220		-
9	A436057	2	HEXAGONAL HEAD SCREW M5*45 DIN 912 ZN		-
10	A445160	4	HEX. HEAD SCREW M5*16 DIN 7984		-
11	72315	8	HEXAGONAL NUT M5 NYLOC DIN 985		-
12	74448	10	WASHER M5 A5,3 DIN 125 ZN		-
13	A445150	18	BLIND RIVET 4,0*8		-

17.12.2024

A444556 MIDDLE BOOM ASSEMBLY LEGUAN 220



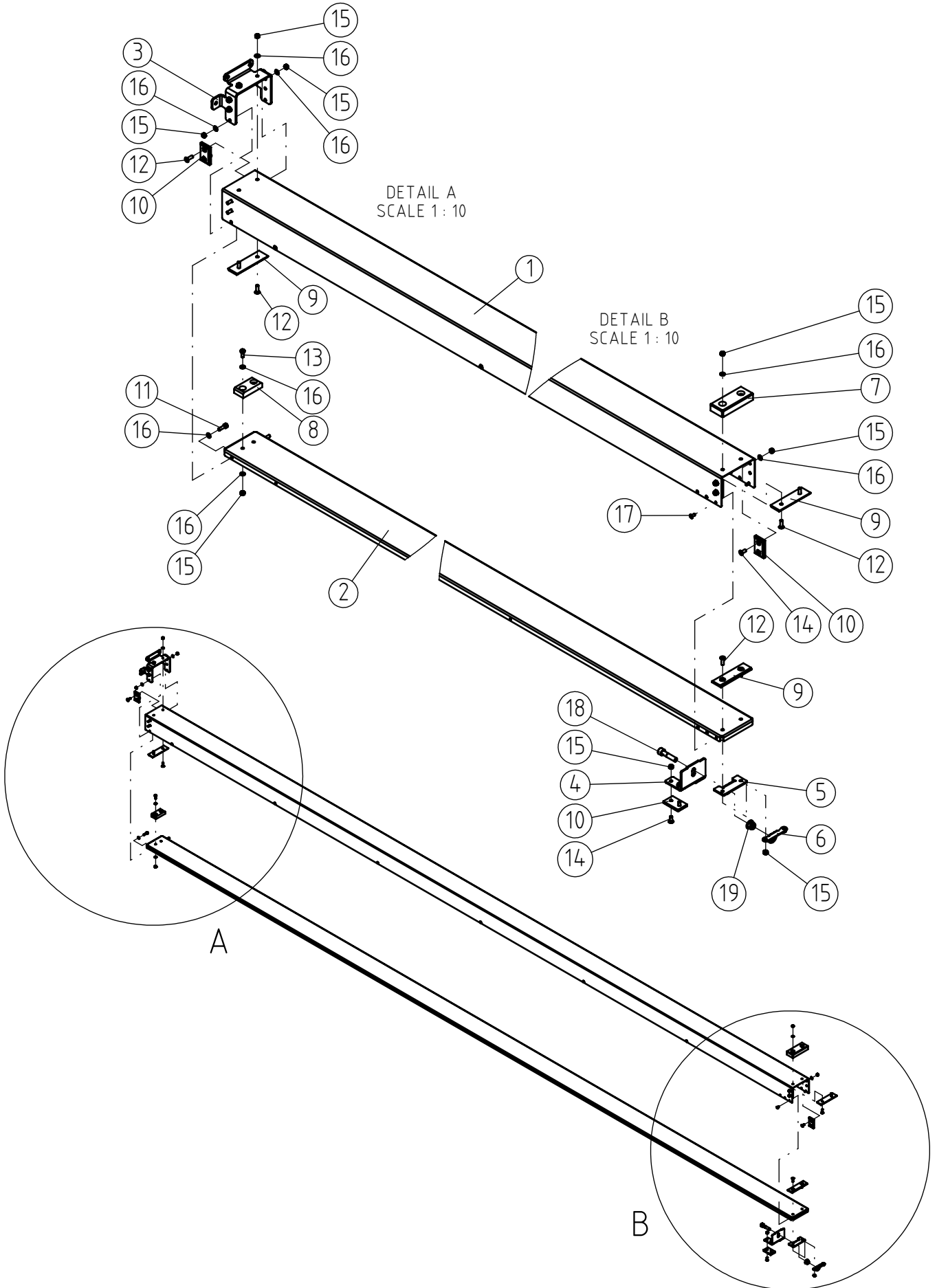
17.12.2024

A444556 MIDDLE BOOM ASSEMBLY LEGUAN 220

REF	PART NO	QTY	DESCRIPTION	NOTES	PAGE
1	A444557	1	MIDDLE BOOM LEGUAN 220		-
2	A445153	1	ALUMINIUM CHANNEL OUTER ASSEMBLY LEGUAN		116
3	A444559	1	BRACKET, WEAR PAD UPPER		-
4	A444558	1	BRACKET, WEAR PAD LOWER		-
5	A421782	2	PULLEY, MIDDLE BOOM L190		-
6	A421763	2	PULLEY, MIDDLE BOOM L190		-
7	A421791	1	PIN, PULLEY MIDDLE BOOM L190		-
8	A455883	4	TIGHTENING BOLT, ADJUSTABLE		-
9	A444560	1	WEAR PAD REAR UP MIDDLE BOOM LEGUAN 220		-
10	A444547	2	WEAR PAD REAR LOWER MIDDLE BOOM LEGUAN		-
11	A421769	2	WEAR PAD FRONT DOWN MIDDLE BOOM L190		-
12	A445156	1	WEAR PAD FRONT UP MIDDLE BOOM LEGUAN 220		-
13	A421773	4	WEAR PAD SIDE, MIDDLE BOOM L190		-
14	A48986	4	SLIDE BEARING		-
15	A421783	2	SPACER S=7 MIDDLE BOOM		-
16	A455884	4	SUPPORT PLATE WEAR PAD		-
17	A48988	4	ADJUSTMENT PLATE		-
18	66521	2	SLIDE BEARING F23/F20-15		-
19	65837	2	SLIDE BEARING BRM-80 F28/F25-25		-
20	72799	1	GREASE NIPPLE M6		-
21	A452810	2	PIVOT PIN, F=20 L=34		-
22	A421818	1	PIN F30		-
23	73398	2	GREASE NIPPLE M6*1 90°		-
24	A454189	1	WIPER, MIDDLE BOOM		-
25	A454190	1	MOUNTING PLATE, WIPER MIDDLE BOOM		-
26	A454178	4	WASHER M20 PA		-
27	73326	1	SEEGER RING A25*1,2		-
28	74851	2	SEEGER RING A20*1,2 DIN 471		-
29	74802	4	HEXAGON SOCKET SET SCREW M16*25		-
30	A457766	2	HEXAGONAL SERRATED SCREW M10*16 WITH		-
31	72052	4	COUNTERSUNK SOCKET HEAD SCREW M8*20 DIN		-
32	A445146	4	HEXAGONAL HEAD SCREW M8*20 DIN 7984		-
33	A445145	4	HEXAGONAL HEAD SCREW M8*16 DIN 7984		-
34	74932	2	HEXAGONAL HEAD SCREW M8*12		-
35	73122	8	WASHER M8 A8,4 DIN 125 ZN		-
36	75000	2	HEXAGONAL SCREW M8*10 DIN 933		-
37	A429197	2	HEXAGONAL SERRATED SCREW M8*12 W. FLANGE		-
38	A429653	8	HEXAGONAL HEAD SCREW M6*12 DIN 912 2 8.8		-
39	A456069	4	HEXAGONAL NUT M16, THIN		-
40	72320	8	HEXAGONAL NUT M8 NYLOC DIN 985		-
41	71680	8	WASHER M6 DIN 125		-

17.12.2024

A445153 ALUMINIUM CHANNEL OUTER ASSEMBLY LEGUAN



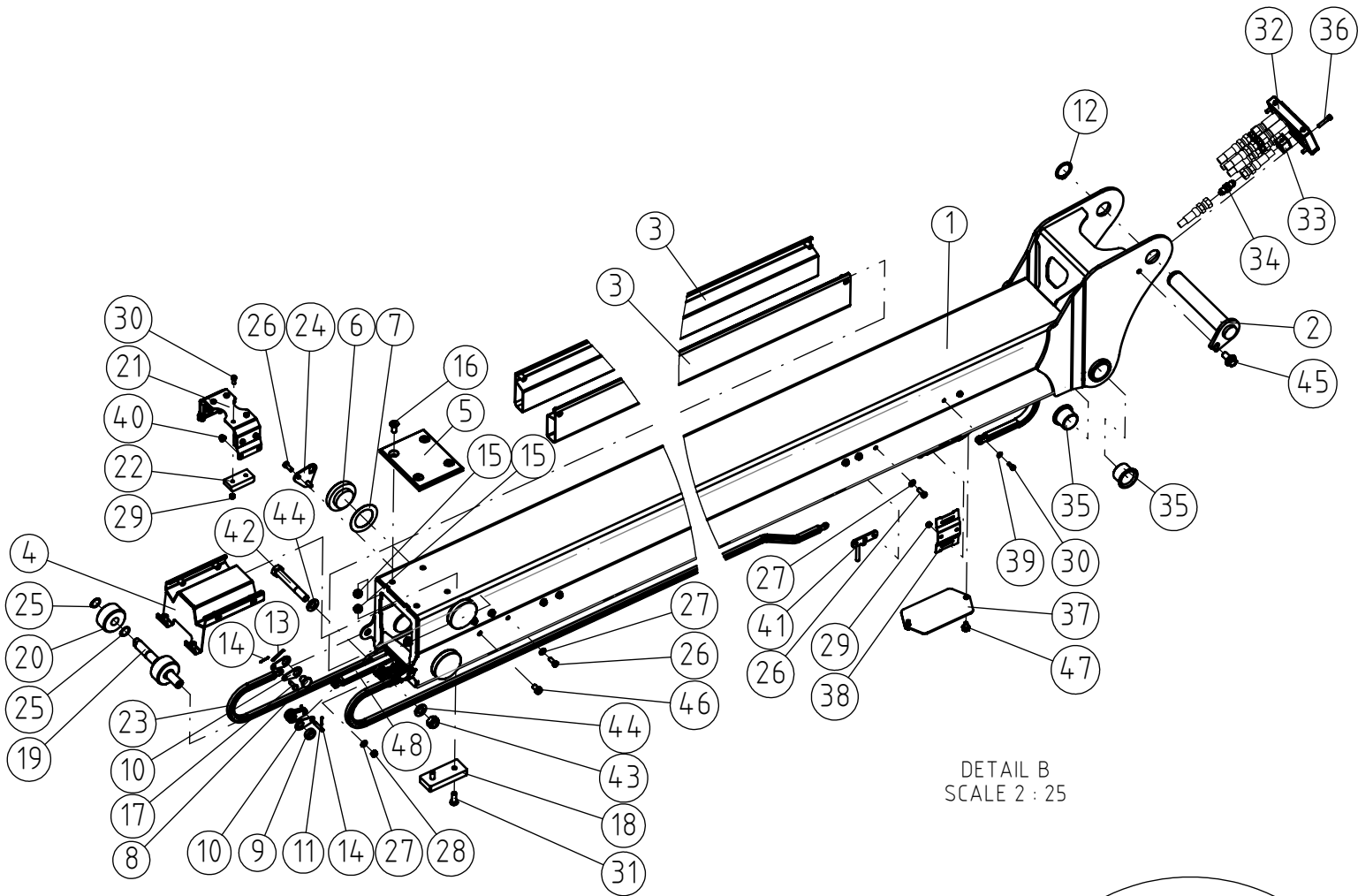
17.12.2024

A445153 ALUMINIUM CHANNEL OUTER ASSEMBLY LEGUAN

REF	PART NO	QTY	DESCRIPTION	NOTES	PAGE
1	A445154	1	ALUMINIUM CHANNEL U-PROFILE LEGUAN 220		-
2	A445155	1	BOTTOM, OUTER CHUTE		-
3	A444741	1	MOUNTING BRACKET, OUTER CHUTE		-
4	A445976	1	MOUNTING BRACKET, WEAR PAD		-
5	A445975	1	MOUNTING BRACKET, OUTER CHUTE		-
6	A446833	1	LOCKING PLATE, OUTER CHUTE		-
7	A453694	1	WEAR PAD, CABLE CHUTE		-
8	A444189	1	WEAR PAD ALUMINIUM CHANNEL LEGUAN 220		-
9	A444757	3	WEAR PAD ALUMINIUM CHANNEL LEGUAN 220		-
10	A421927	6	WEAR PAD REAR LOWER , CABLE CARRIER L190		-
11	74472	2	HEXAGONAL HEAD SCREW M 5*16 DIN 912 ZN		-
12	A445144	10	COUNTERSUNK HEAD SCREW M5*16 DIN 7991		-
13	A444756	2	HEX. HEAD SCREW M5*12 DIN 7984		-
14	75148	8	COUNTERSUNK HEAD SCREW M5*12 DIN 7991		-
15	72315	22	HEXAGONAL NUT M5 NYLOC DIN 985		-
16	74448	20	WASHER M5 A5,3 DIN 125 ZN		-
17	A445150	14	BLIND RIVET 4,0*8		-
18	74482	1	HEXAGONAL HEAD SCREW M8* 35 DIN 912		-
19	A447717	1	HEXAGONAL NUT M8 NYLOC DIN 6926		-

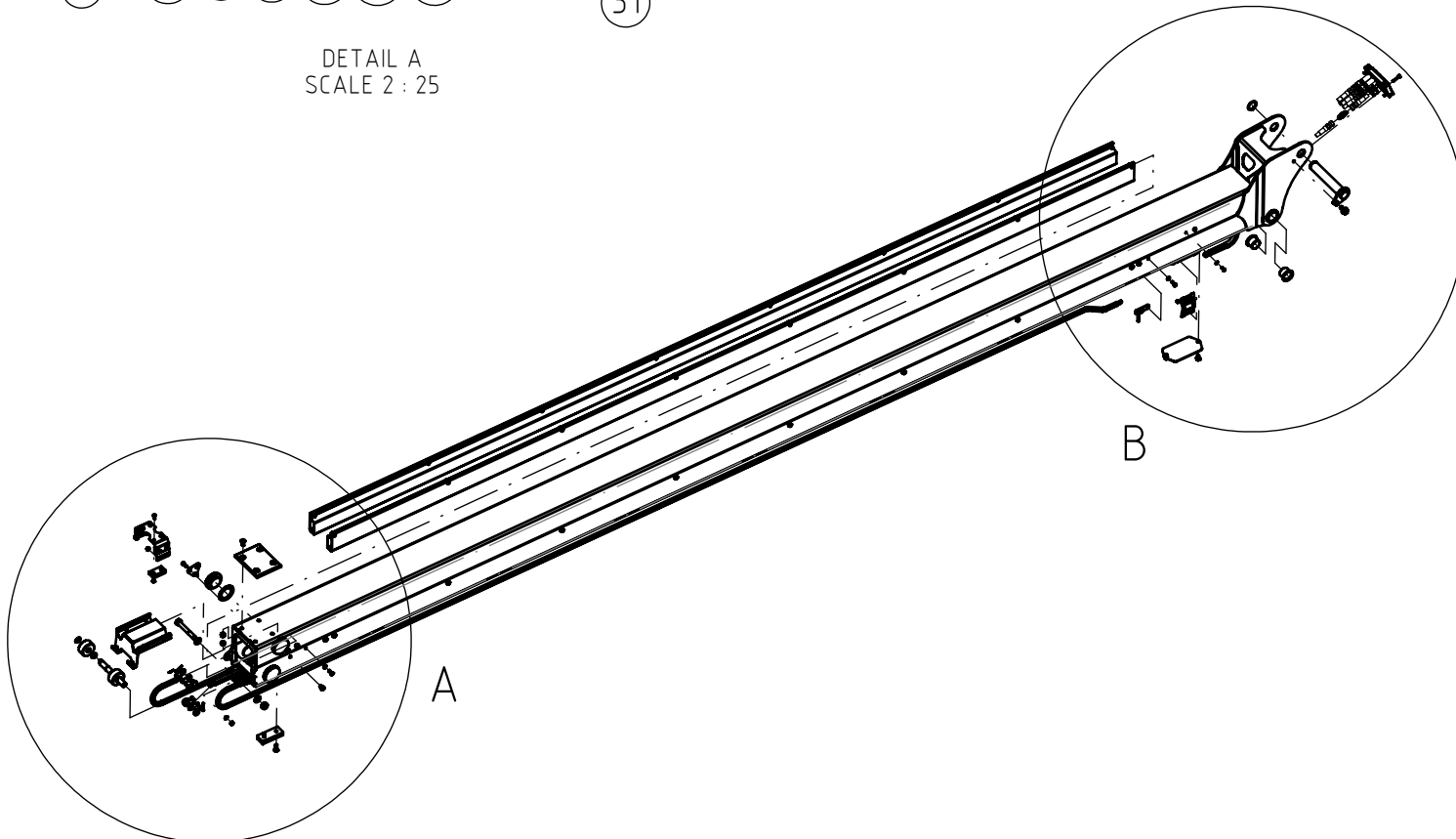
17.12.2024

A444541 TELESCOPIC BOOM ASSEMBLY LEGUAN 200



DETAIL A
SCALE 2 : 25

DETAIL B
SCALE 2 : 25



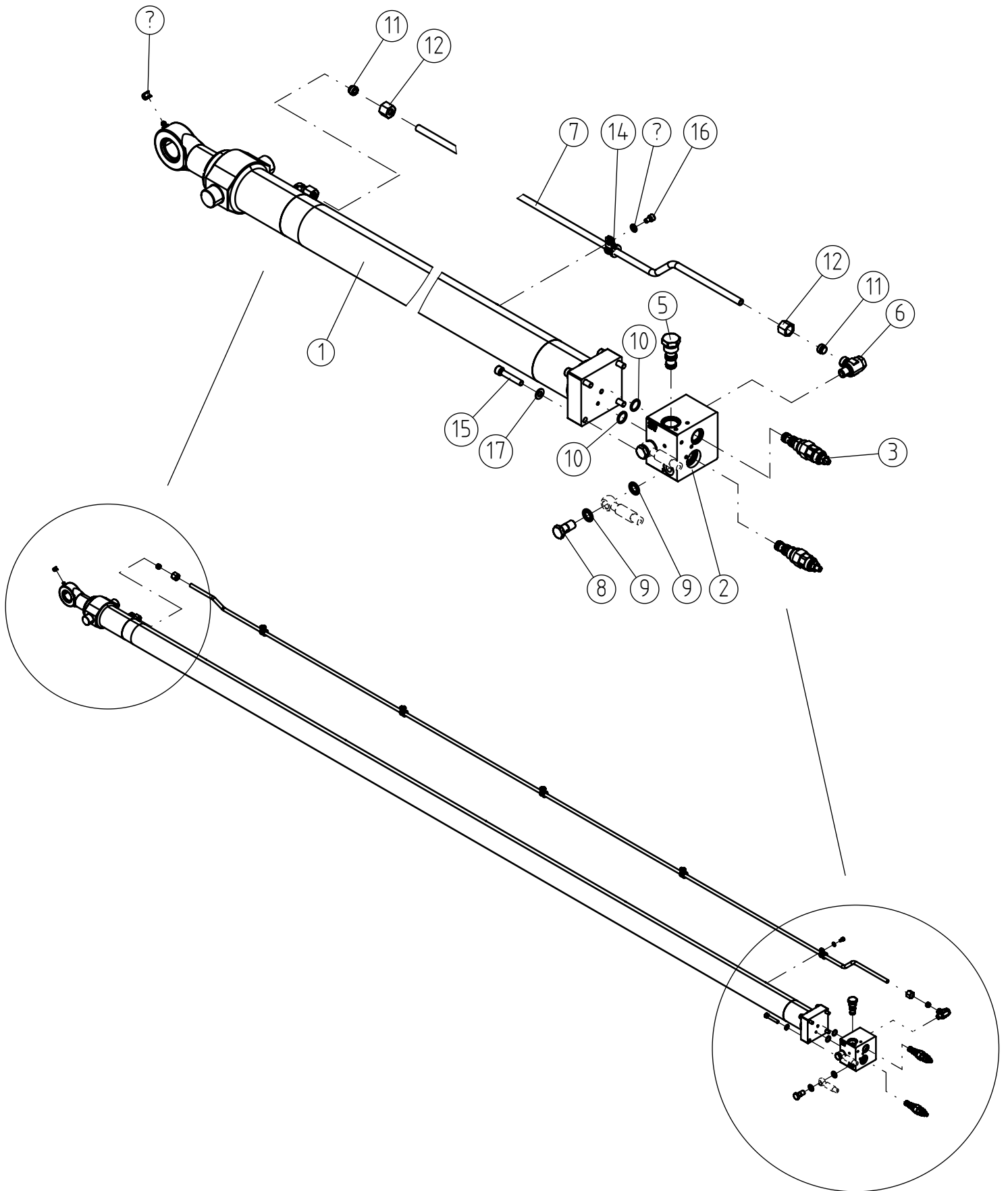
17.12.2024

A444541 TELESCOPIC BOOM ASSEMBLY LEGUAN 220

REF	PART NO	QTY	DESCRIPTION	NOTES	PAGE
1	A444542	1	TELESCOPIC BOOM LEGUAN 220		-
2	A48975	1	PIN		-
3	A445175	2	CABLE CHUTE, INNER BOOM		-
4	A446719	1	HOSE COVER, INNER BOOM		-
5	A444548	1	WEAR PAD REAR UP TELESCOPIC BOOM LEGUAN		-
6	A48986	4	SLIDE BEARING		-
7	A48988	4	ADJUSTMENT PLATE		-
8	A421869	2	LOCKING PIN CHAIN L190		-
9	A421878	4	SPACER TELESCOPE L190		-
10	66473	12	END LINK, LEAF CHAIN		-
11	66474	2	CLEVIS PIN F5,08-32, LEAF CHAIN		-
12	74409	1	SEEGER RING A30*1,5 DIN 471		-
13	75154	2	COTTER PIN 2.5*25 DIN 94		-
14	75153	6	COTTER PIN 1.6*16 DIN 94		-
15	72320	8	HEXAGONAL NUT M8 NYLOC DIN 985		-
16	72052	4	COUNTERSUNK SOCKET HEAD SCREW M8*20 DIN		-
17	A444499	2	AXLE, LEAF CHAIN		-
18	A444547	2	WEAR PAD REAR LOWER MIDDLE BOOM LEGUAN		-
19	A444252	1	AXLE, CABLE CARRIER CHAIN		-
20	A421841	2	ROLLER, CABLE CARRIER CHAIN L190		-
21	A445141	1	MOUNTING BRACKET, WEAR PAD		-
22	A444189	4	WEAR PAD ALUMINIUM CHANNEL LEGUAN 220		-
23	A445169	2	LEAF CHAIN 2X2 TELESCOPE LEGUAN 220		-
24	A445142	1	LOCKING PLATE, AXLE		-
25	74812	4	SEEGER RING A 16*1,0		-
26	A445243	28	HEXAGONAL HEAD SCREW M6*16 DIN 7984		-
27	71680	28	WASHER M6 DIN 125		-
28	72318	2	HEXAGONAL NUT M 6 DIN 985 NYLOC		-
29	72315	12	HEXAGONAL NUT M5 NYLOC DIN 985		-
30	A444756	12	HEX. HEAD SCREW M5*12 DIN 7984		-
31	A445146	4	HEXAGONAL HEAD SCREW M8*20 DIN 7984		-
32	75012	1	CABLE ENTRY FRAME KEL-ER 16/8		-
33	75019	8	CABLE GROMMET F10-F11 BLACK KT10		-
34	A436013	5	CONNECTOR FITTING UNF 7/16" JIC UK		-
35	66189	4	SLIDE BEARING F34/F30-26		-
36	75095	4	HEXAGONAL HEAD SCREW M5*25 DIN912 2		-
37	A445304	1	COVER PLATE, INNER BOOM		-
38	A446300	2	MOUNTING BRACKET, CABLES, INNER BOOM		-
39	74448	4	WASHER M5 A5,3 DIN 125 ZN		-
40	A447716	4	HEXAGONAL NUT M5 NYLOC DIN 6926		-
41	A453676	2	HOSE GUIDE, INNER BOOM		-
42	74491	1	HEXAGONAL SCREW M12*90		-
43	72324	1	HEXAGONAL NUT M 12 NYLOC DIN 985		-
44	71691	2	WASHER M12 A13 DIN 125		-
45	A432196	1	HEXAGONAL SERRATED SCREW M10*20 W. FLANG		-
46	A445323	1	HEXAGONAL HEAD SCREW M8*12 DIN 7984		-
47	A431969	2	HEXAGONAL SERRATED SCREW M6*10 W. FLANG		-
48	A445168	2	LEAF CHAIN 4X4 TELESCOPE LEGUAN 220		-

17.12.2024

A445220 TELESCOPIC CYLINDER ASSEMBLY LEGUAN 220



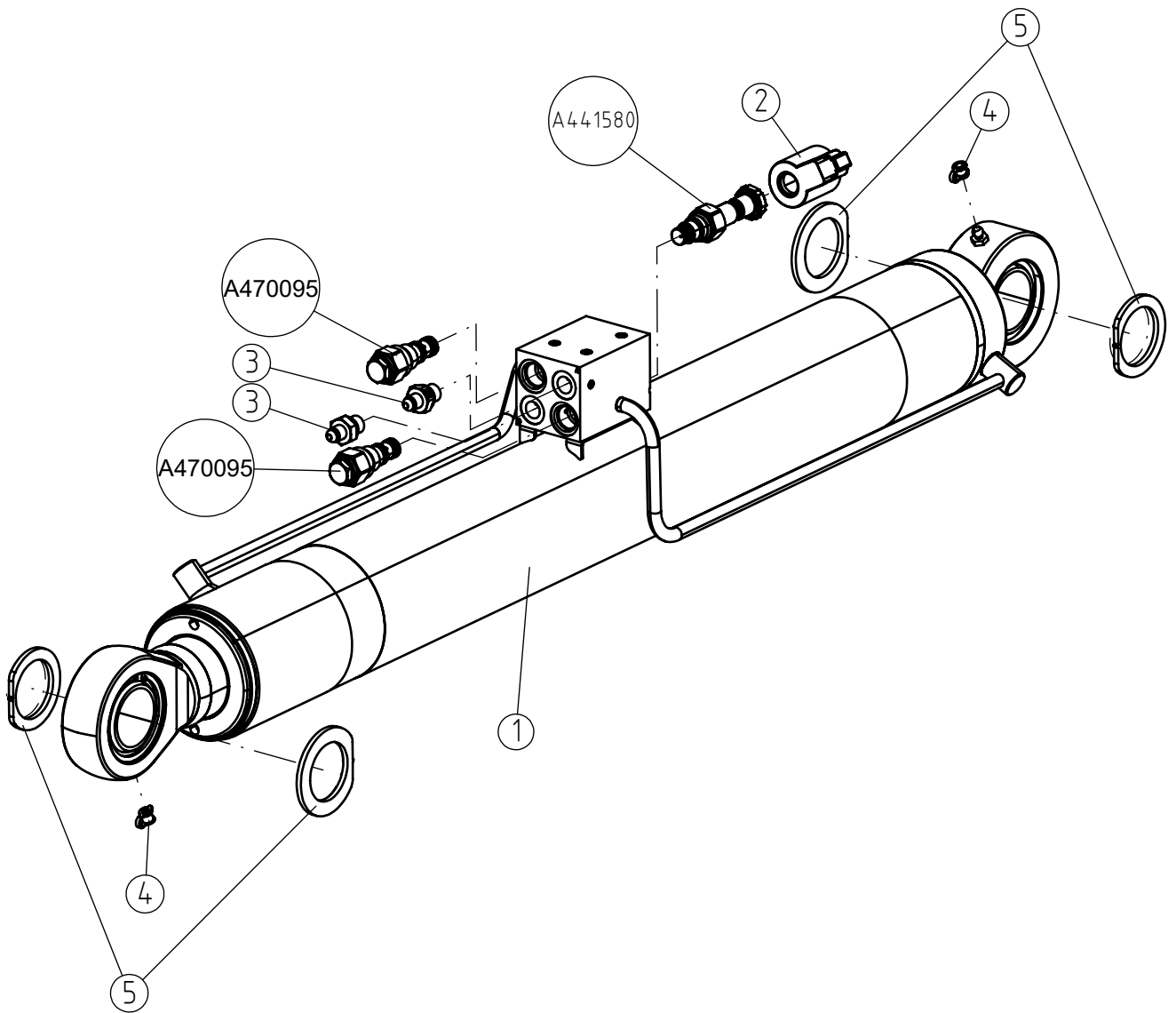
17.12.2024

A445220 TELESCOPIC CYLINDER ASSEMBLY LEGUAN 220

REF	PART NO	QTY	DESCRIPTION	NOTES	PAGE
1	A453224	1	HYDRAULIC CYLINDER 63/45(30)-3000		-
1.1	A458392	1	SEAL KIT 2 HYDR. CYLINDER 63/45		-
2	A446370	1	SUBPLATE TELE. CYLINDER		-
3	A447426	1	LOAD CONTROL VALVE VBST-08AA	Install torque 40 Nm	-
4	A459133	1	VALVE CARTRIDGE LOAD HOLDING VALVE	Install torque 40 Nm	-
5	66040	1	LOAD SHUTTLE VALVE CARTRIDGE LS10-30-	Install torque 40 Nm	-
5.1	A443087	1	SEAL KIT VALVE CARTRIDGE SK10-3N-MM		-
6	A451926	1	BANJO ELBOW FITTING		-
7	A446424	1	HYDRAULIC PIPE, TELE. CYL.		-
8	64557	2	BANJO BOLT R 1/4"	45 Nm	-
9	73757	4	USIT COMPRESSION R1/4"		-
10	74738	2	O-RING NBR F 15 * 2,50 72SH		-
11	A451988	2	CUTTING RING		-
12	66365	2	FITTING NUT "M NUT" M10L M16*1,5		-
13	A456064	1	CAP, GREASE NIPPLE		-
14	74570	5	PIPE CLAMP F11 MM		-
15	74483	4	HEXAGONAL HEAD SCREW M8* 45 DIN 912		-
16	75089	5	HEXAGONAL HEAD SCREW M6*10 DIN912 2		-
17	73122	4	WASHER M8 A8,4 DIN 125 ZN		-
18	71680	5	WASHER M6 DIN 125		-

17.12.2024

A445143 HYDR. CYLINDER UPPER BOOM WITH VALVES



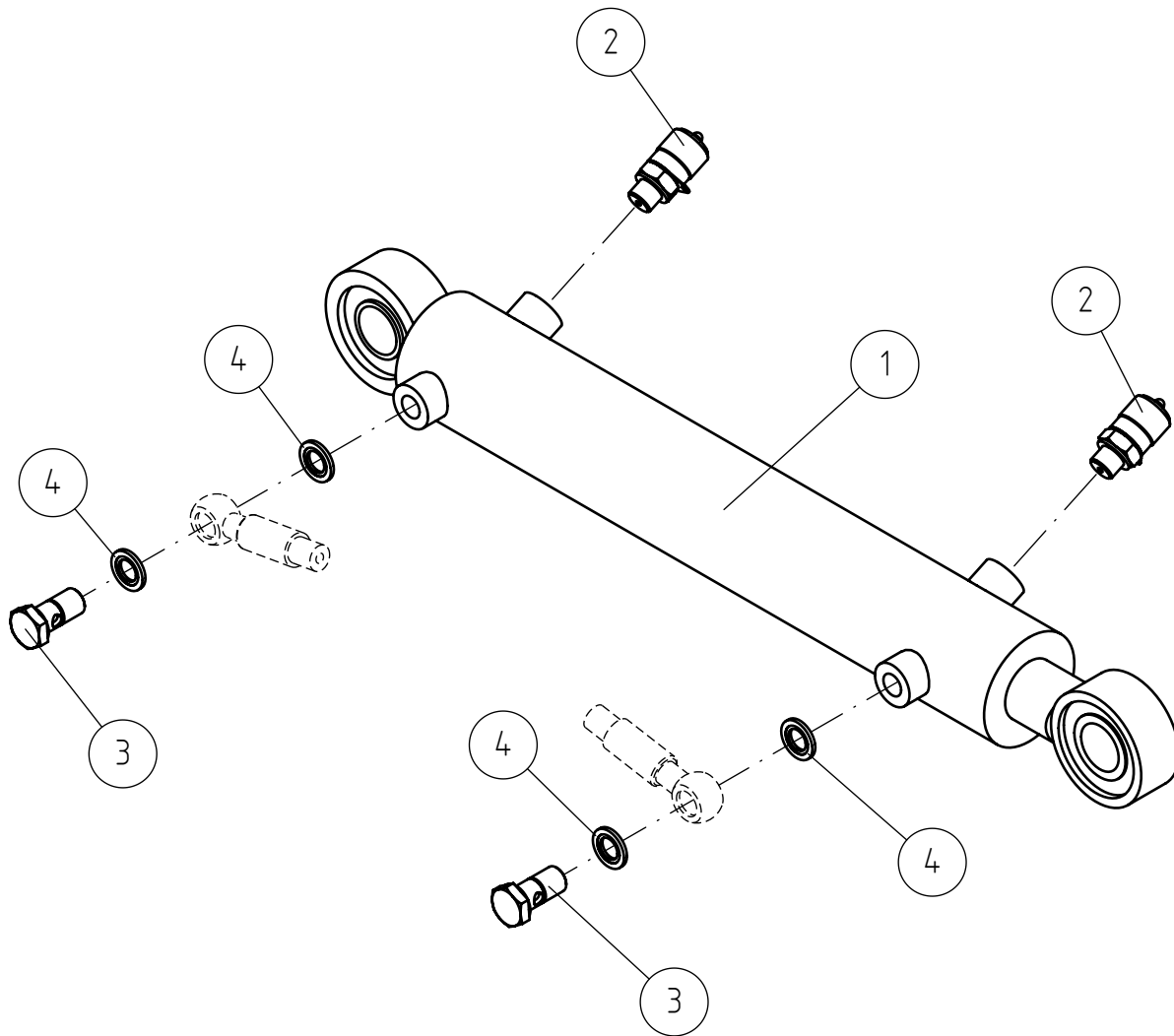
17.12.2024

A445143 HYDR. CYLINDER UPPER BOOM WITH VALVES

REF	PART NO	QTY	DESCRIPTION	NOTES	PAGE
1	A445822	1	HYDR. CYLINDER ASSEMBLY, UPPER BOOM		-
1.1	A422148	1	SEAL KIT, HYDR. CYLINDER 90/63 NORRHVD		-
2	A441592	1	SOLENOID 12VDC / 20W DEUTSCH CONNECTOR		-
3	64678	2	BASIC FITTING F40XS6-1/4"		-
4	A456064	2	CAP, GREASE NIPPLE		-
5	A466607	2	SPACER PAIR 45		-

17.12.2024

A453697 MAIN SELF LEVELLING CYL. ASSEMBLY



17.12.2024

A453697 MAIN SELF LEVELLING CYL. ASSEMBLY

REF	PART NO	QTY	DESCRIPTION	NOTES	PAGE
1	A36674	1	HYDRAULIC CYLINDER 50/32-280 LEGUAN		-
1.1	A420077	1	SEAL KIT, HYDR. CYLINDER 50/32 NORRHYD		-
2	64196	2	MANOMETER FITTING M16*2		-
3	64557	2	BANJO BOLT R 1/4"	45 Nm	-
4	73757	4	USIT COMPRESSION R1/4"		-

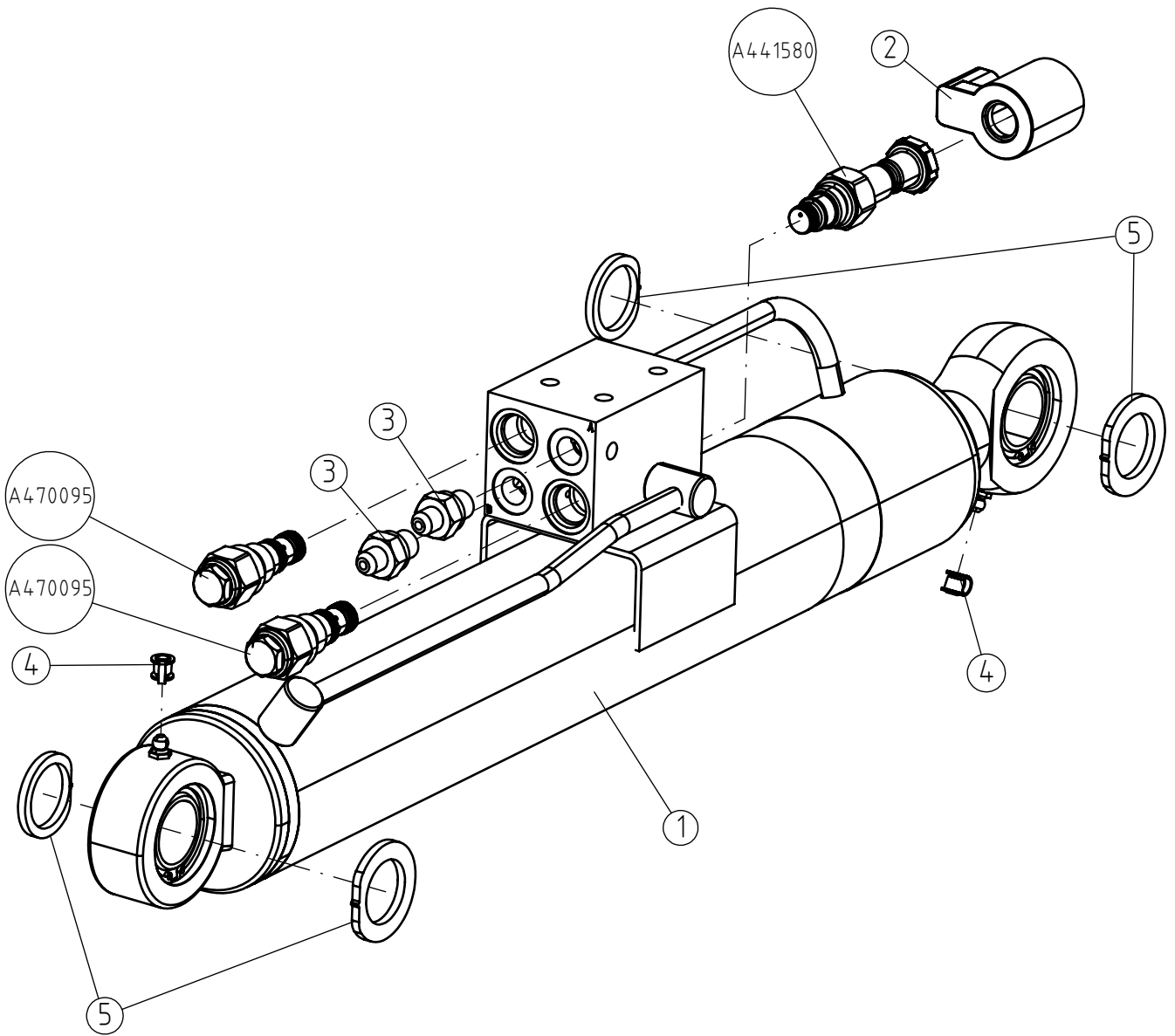
17.12.2024

A444533 JIB BOOM ASSEMBLY LEGUAN 220

REF	PART NO	QTY	DESCRIPTION	NOTES	PAGE
1	A444536	1	JIB BOOM LEGUAN 220		-
2	A36620	1	KNUCKLE PIECE LEGUAN 160M2		-
3	A447276	1	HYDR. CYLINDER ASSEMBLY, JIB		128
4	A446093	2	SELF LEVELLING BAR, JIB		-
5	A419411	1	PIVOT PIN F30 L=74		-
6	A447561	2	PIVOT PIN F=30 L=295		-
7	A454049	1	PIVOT PIN F=30 L=105		-
8	A468273	1	SELF LEVELLING CYLINDER ASSEMBLY		130
9	65526	1	GROMMET F32/25/19		-
10	A457909	1	SLOPE SENSOR, JIB LEGUAN 220		-
11	A447332	1	COVER PLATE ANGLE SENSOR		-
12	66136	1	TERMINATION RESISTOR CAN OPEN		-
13	66188	2	SLIDE BEARING F34/F30-16		-
14	66189	6	SLIDE BEARING F34/F30-26		-
15	A429197	2	HEXAGONAL SERRATED SCREW M8*12 W. FLANGE		-
16	74409	4	SEEGER RING A30*1,5 DIN 471		-
17	74694	3	HEXAGONAL SCREW M5*30 DIN 912		-
18	74448	3	WASHER M5 A5,3 DIN 125 ZN		-
19	72315	3	HEXAGONAL NUT M5 NYLOC DIN 985		-
20	71680	4	WASHER M6 DIN 125		-
21	74475	4	HEXAGON. HEAD SCREW M 6* 20 DIN 912 ZN		-
22	74484	2	HEXAGONAL HEAD SCREW M8* 60 DIN 912		-
23	73122	2	WASHER M8 A8,4 DIN 125 ZN		-
24	A447717	2	HEXAGONAL NUT M8 NYLOC DIN 6926		-

17.12.2024

A447276 HYDR. CYLINDER ASSEMBLY, JIB



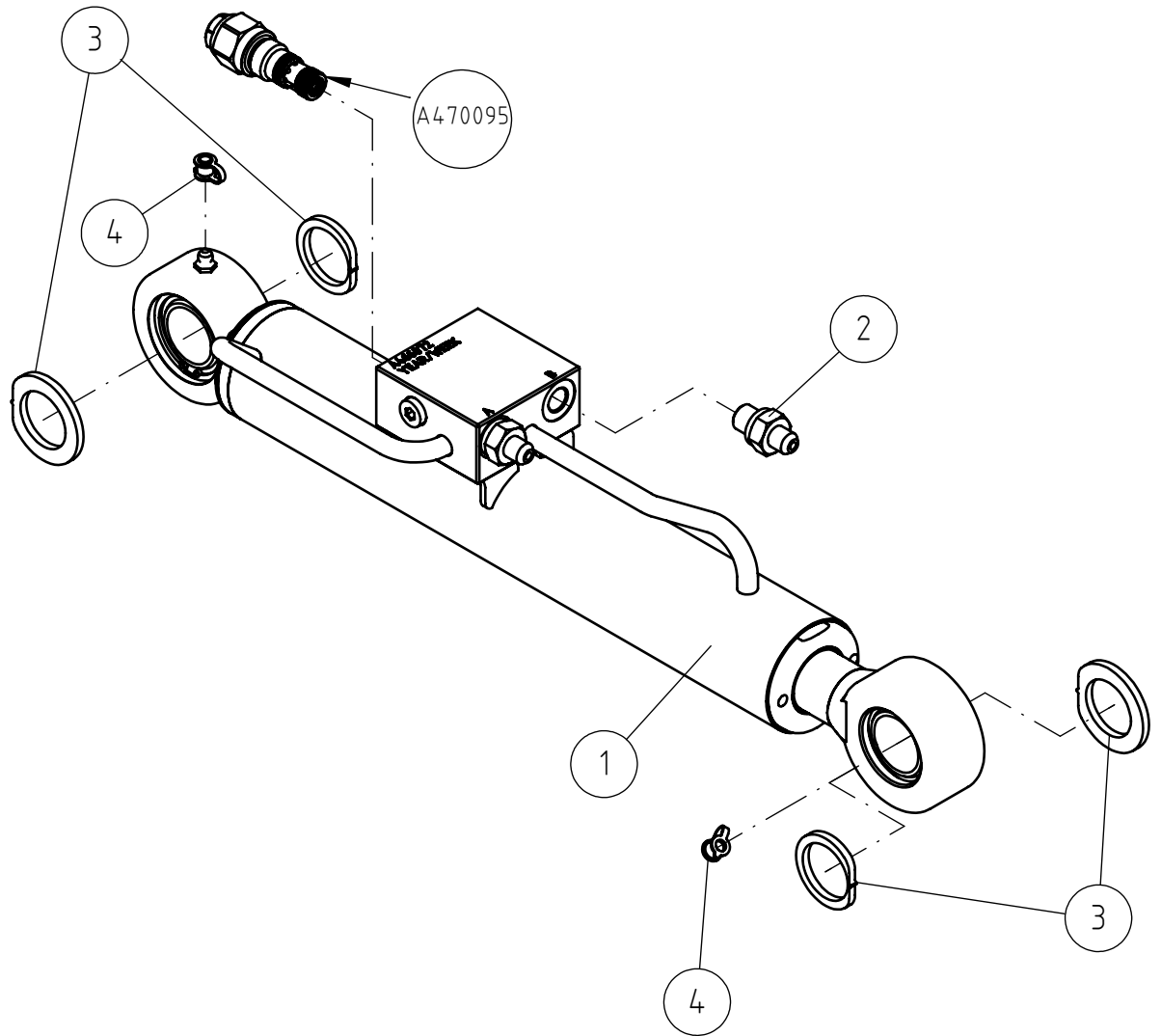
17.12.2024

A447276 HYDR. CYLINDER ASSEMBLY, JIB

REF	PART NO	QTY	DESCRIPTION	NOTES	PAGE
1	A466028	1	HYDR. CYLINDER ASSEMBLY, JIB BOOM		-
1.1	A470095	2	VALVE CARTRIDGE LOAD CONTROL VALVE	Install torque 40 Nm	-
1.2	A441580	1	VALVE CARTRIDGE 2-WAY POPPET TYPE	Install torque 45 Nm	-
1.3	A420076	1	SEAL KIT, HYDR. CYLINDER 70/40 NORRHVD		-
2	A441592	1	SOLENOID 12VDC / 20W DEUTSCH CONNECTOR		-
3	64678	2	BASIC FITTING F40XS6-1/4"		-
4	A456064	2	CAP, GREASE NIPPLE		-
5	A466608	2	SPACER PAIR 30		-

17.12.2024

A468273 SELF LEVELLING CYLINDER ASSEMBLY



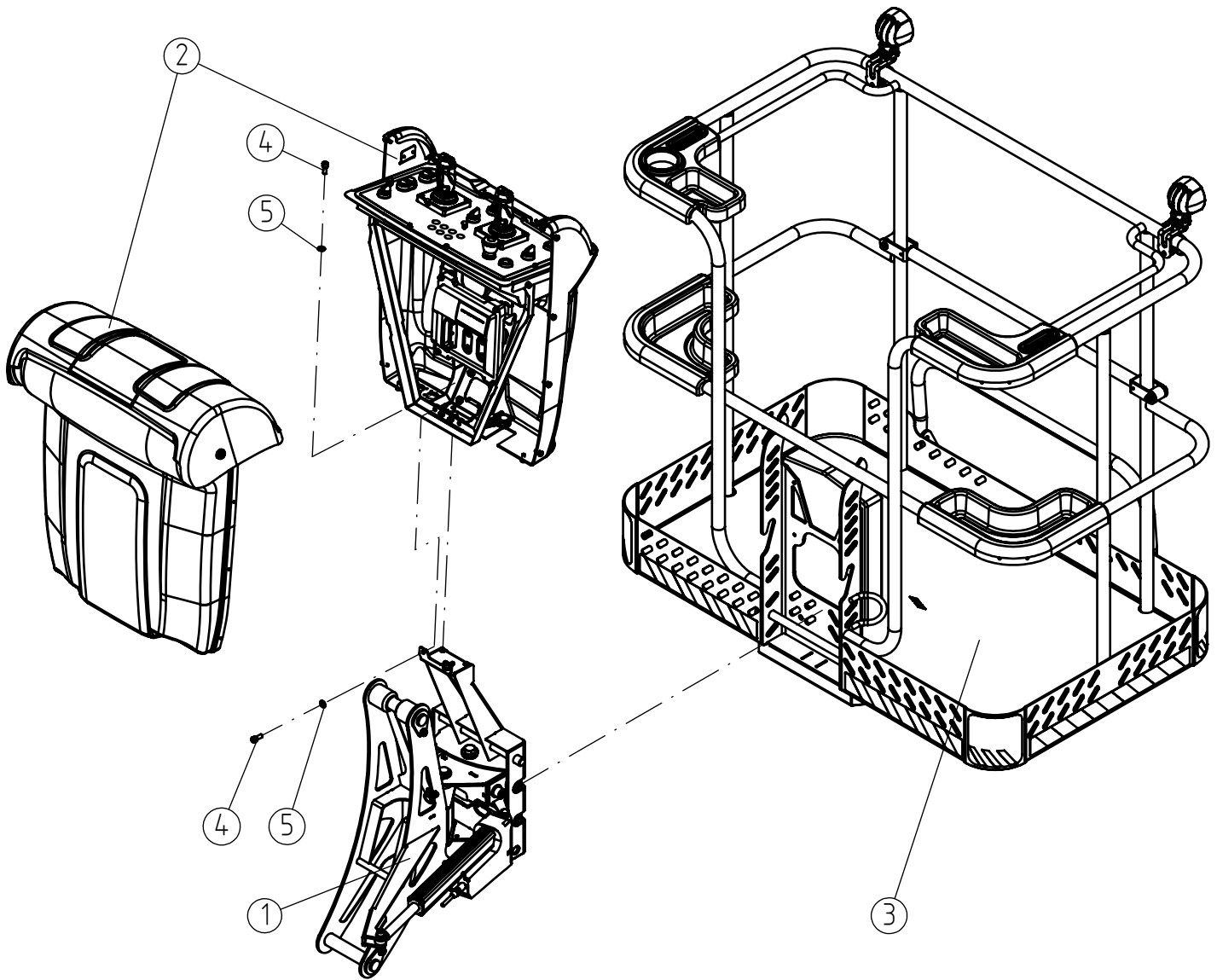
17.12.2024

A468273 SELF LEVELLING CYLINDER ASSEMBLY

REF	PART NO	QTY	DESCRIPTION	NOTES	PAGE
1	A466233	1	SELF LEVELLING CYLINDER - SLAVE		-
1.1	A470095	1	VALVE CARTRIDGE LOAD CONTROL VALVE	Install torque 40 Nm	-
1.2	A420077	1	SEAL KIT, HYDR. CYLINDER 50/32 NORRHVD		-
2	64678	2	BASIC FITTING F40XS6-1/4"		-
3	A466608	2	SPACER PAIR 30		-
4	A456064	2	CAP, GREASE NIPPLE		-

17.12.2024

A444544 PLATFORM+SELF LEVELLING PIECE ASSEMBLY



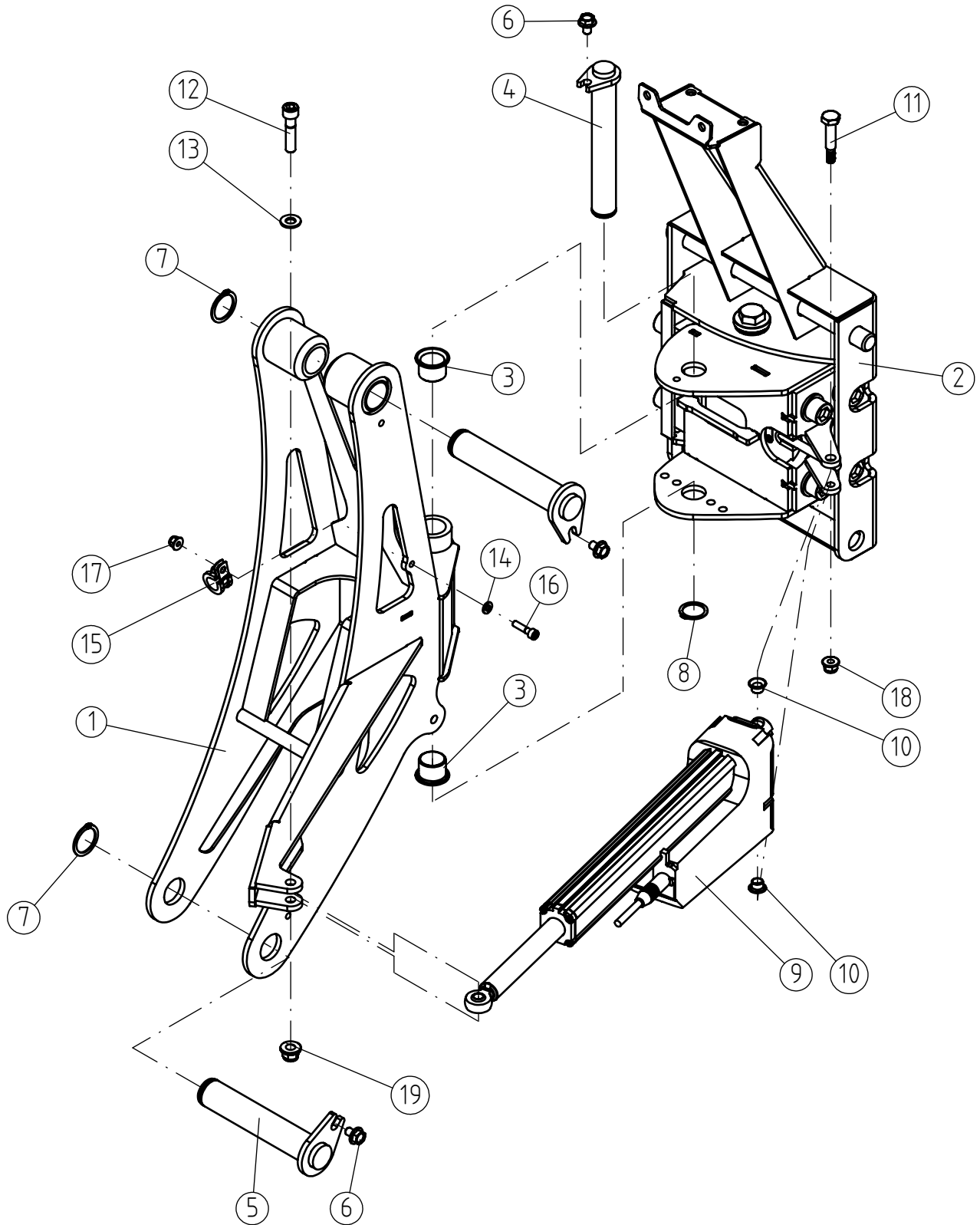
17.12.2024

A444544 PLATFORM+SELF LEVELLING PIECE ASSEMBLY

REF	PART NO	QTY	DESCRIPTION	NOTES	PAGE
1	A447344	1	ROTATION PLATFORM ASSEMBLY LEGUAN 220		134
2	A449211	1	CONTROL PANEL PLATFORM ASSEMBLY		138
3	A453723	1	WORK PLATFORM ACCESSORIES		144
4	74481	4	HEXAGONAL HEAD SCREW M8*20 DIN 912 ZN		-
5	73122	4	WASHER M8 A8,4 DIN 125 ZN		-

17.12.2024

A447344 ROTATION PLATFORM ASSEMBLY LEGUAN 220



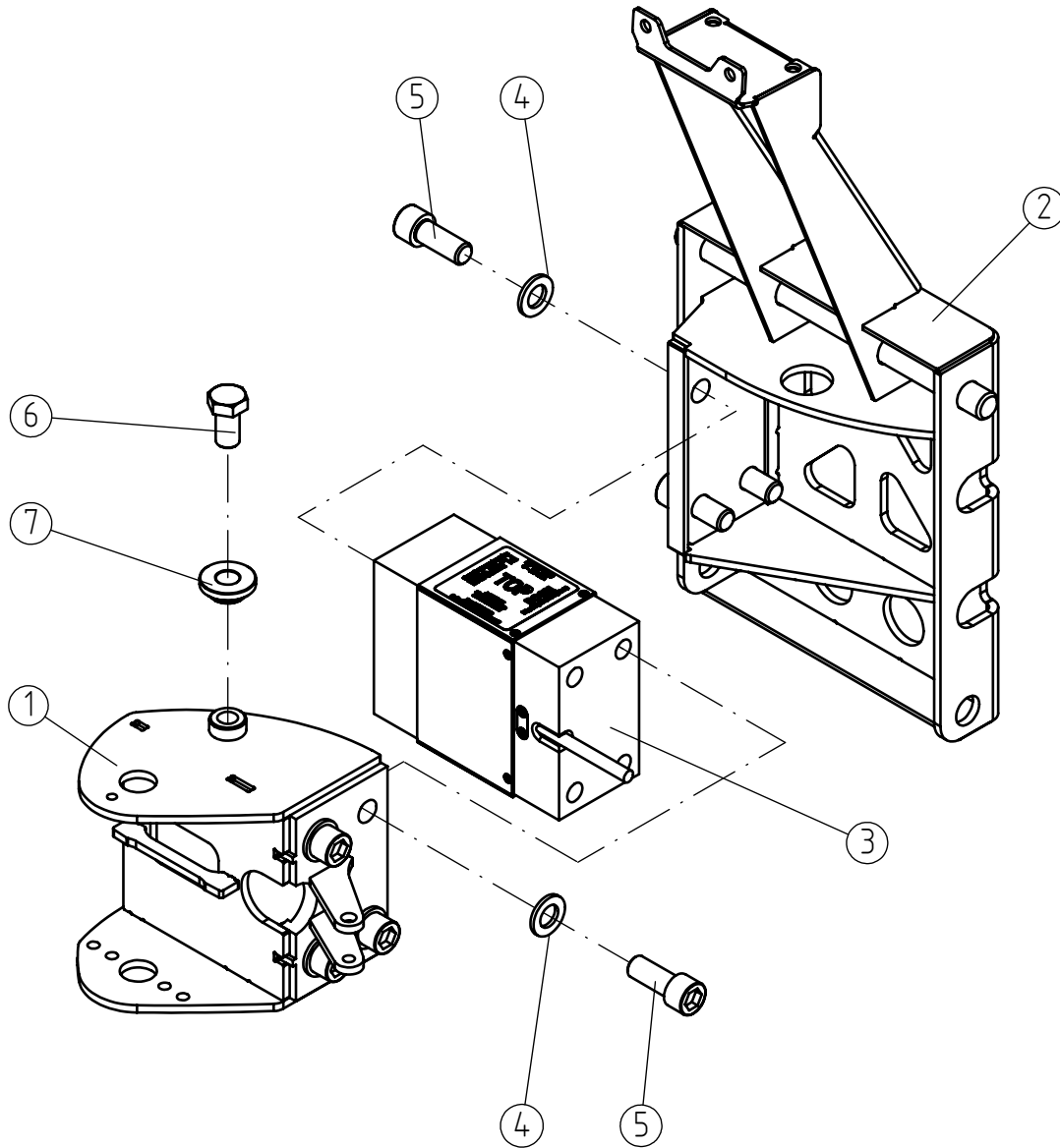
17.12.2024

A447344 ROTATION PLATFORM ASSEMBLY LEGUAN 220

REF	PART NO	QTY	DESCRIPTION	NOTES	PAGE
1	A447357	1	KNUCKLE PIECE PLATFORM SELF LEVELLING		-
2	A447345	1	MOUNTING BRACKET PLATFORM ASSEMBLY		136
3	66187	2	SLIDE BEARING F28/F25-21,5		-
4	A417543	1	PIVOT PIN D25X183		-
5	A419337	2	PIVOT PIN F30 L=148		-
6	A429197	3	HEXAGONAL SERRATED SCREW M8*12 W. FLANGE		-
7	74409	2	SEEGER RING A30*1,5 DIN 471		-
8	73326	1	SEEGER RING A25*1,2		-
9	A449074	1	ACTUATOR MOTOR 12V 3500N 260MM		-
10	A447259	2	SLIDE BEARING, F12/F10		-
11	A447358	1	PIN, LINEAR MOTOR		-
12	A453083	1	HEXAGONAL HEAD SCREW M10*45 DIN 912		-
13	73121	1	WASHER M10 A10,5 DIN 125 ZN		-
14	71680	1	WASHER M6 DIN 125		-
15	74571	1	PIPE CLAMP F16 MM		-
16	71880	1	HEXAGONAL HEAD SCREW M 6*25 DIN 912 2		-
17	A450669	1	NUT M6 NYLOC WITH FLANGE		-
18	A447717	1	HEXAGONAL NUT M8 NYLOC DIN 6926		-
19	A453721	1	HEXAGONAL NUT M10 NYLOC DIN 6923		-

17.12.2024

A447345 MOUNTING BRACKET PLATFORM ASSEMBLY



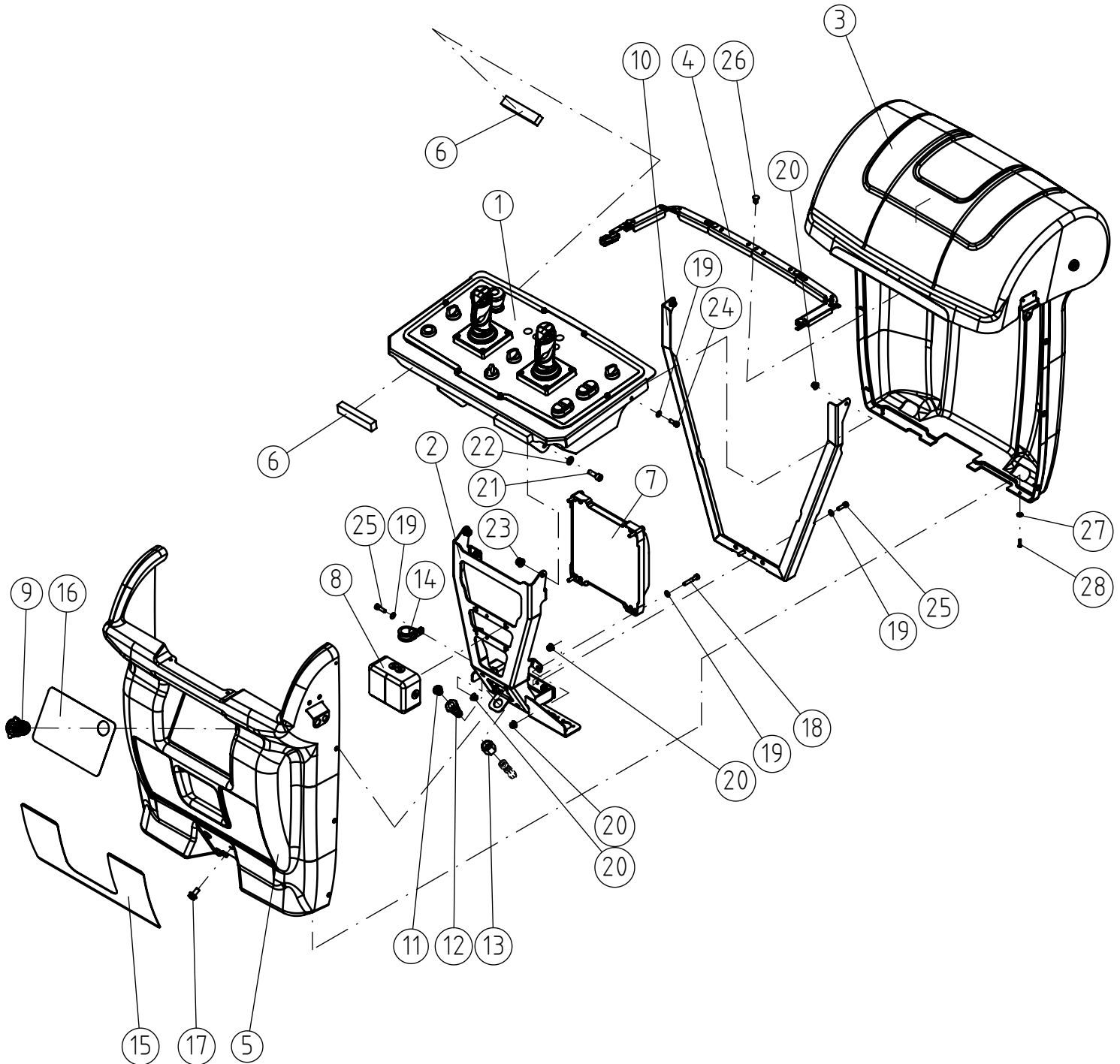
17.12.2024

A447345 MOUNTING BRACKET PLATFORM ASSEMBLY

REF	PART NO	QTY	DESCRIPTION	NOTES	PAGE
1	A447353	1	PIVOT PIECE, PLATFORM ROTATION		-
2	A449168	1	MOUNTING BRACKET PLATFORM LEGUAN 220		-
3	66033	1	LOAD CELL MOBA 0-500 KG		-
4	A430193	8	WASHER M16 DIN 125		-
5	75004	8	HEXAGONAL HEAD SCREW M16*1,5-40	150 Nm	-
6	72232	1	HEXAGONAL SCREW M16*30 DIN 933		-
7	A453698	1	SECURING SLEEVE, LOAD CELL		-

17.12.2024

A449211 CONTROL PANEL PLATFORM ASSEMBLY



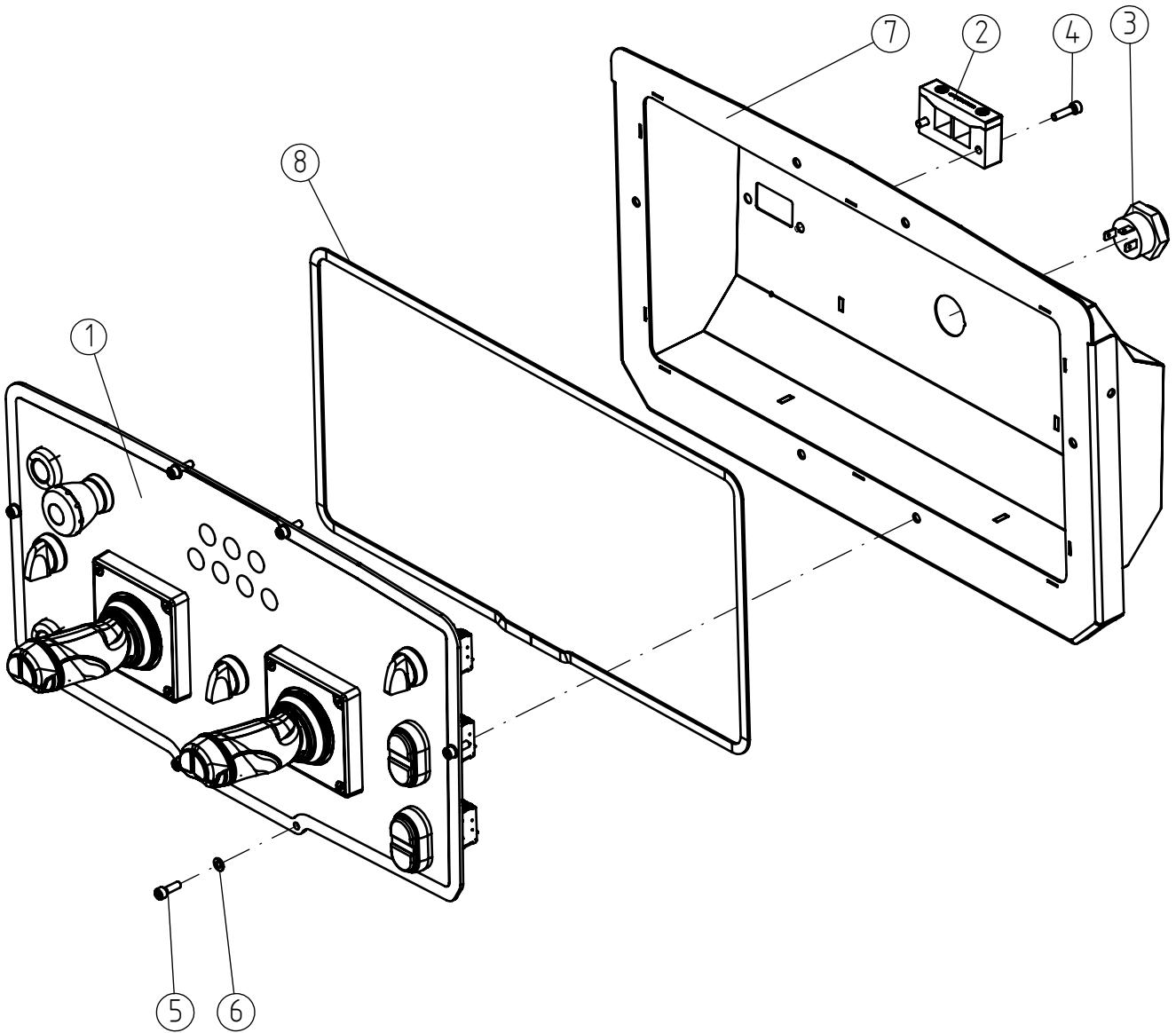
17.12.2024

A449211 CONTROL PANEL PLATFORM ASSEMBLY

REF	PART NO	QTY	DESCRIPTION	NOTES	PAGE
1	A444822	1	CONTROLS ON PLATFORM LEGUAN 220		140
2	A449181	1	FRAME, CONTROL BOX, PLATFORM		-
3	A449385	1	COVER PANEL + LID, PLATFORM CONTROLS		-
3.1	A419465	1	LID, ABS, CONTROLS AT PLATFORM L135		-
3	A458995	1	COVER PANEL + LID GREY, PLATFORM		-
4	A422089	1	LED LIGHT STRIP ON PLATFORM LEGUAN 165		-
5	A453809	1	COVER PANEL DASHBOARD PLATFORM LEGUAN		-
5	A457746	1	COVER PANEL, WITHOUT OUTLET, DASHBOARD		-
5	A458992	1	COVER PANEL GREY, DASHBOARD PLATFORM		-
5	A464867	1	COVER PANEL GRAY, WITHOUT OUTLET,		-
5	A458992	1	COVER PANEL GREY, DASHBOARD PLATFORM		-
6	A460422	4	SUPPORTING TAPE		-
7	A444566	1	SAFETY CONTROLLER		-
7.1	A458371	1	ETHERNET CABLE, LOGIC CONTROLLER		-
8	66154	1	SOCKET GROUNDED 2-PART 250V/16A IP55		-
9	A454835	1	USB SOCKET		-
10	A431773	1	MOUNTING BRACKET CONTROL PANEL L135 NEO		-
11	A454927	1	PLASTIC PLUG R1/4"		-
12	A449387	1	LEAD-THROUGH FITTING G1/4" SK - 9/16" -		-
13	64052	1	BINDING NUT BTXS12		-
14	74573	1	PIPE CLAMP F25 MM		-
15	A454792	1	DECAL PLATFORM		-
16	A454683	1	DECAL PLATFORM COVER		-
17	A429200	4	HEXAGONAL SERRATED SCREW M8*16 WITH		-
18	A427068	4	HEXAGONAL HEAD SCREW M6*35 DIN 912 2		-
19	71680	9	WASHER M6 DIN 125		-
20	A450669	9	NUT M6 NYLOC WITH FLANGE		-
21	71884	2	HEXAGONAL HEAD SCREW M 8*25 DIN 912 2		-
22	73122	2	WASHER M8 A8,4 DIN 125 ZN		-
23	A447717	2	HEXAGONAL NUT M8 NYLOC DIN 6926		-
24	73766	2	HEXAGONAL HEAD SCREW M6*16 DIN 912 2 8.8		-
25	74475	3	HEXAGON. HEAD SCREW M 6* 20 DIN 912 ZN		-
26	A454169	5	BARBED FASTENER D12,7/D6 NYLON		-
27	A444610	10	CUP WASHER M4 DIN 17670 BRASS		-
28	A444594	10	CROSS HEAD COUNTERSUNK SCREW M4*16 DIN		-

17.12.2024

A444822 CONTROLS ON PLATFORM LEGUAN 220



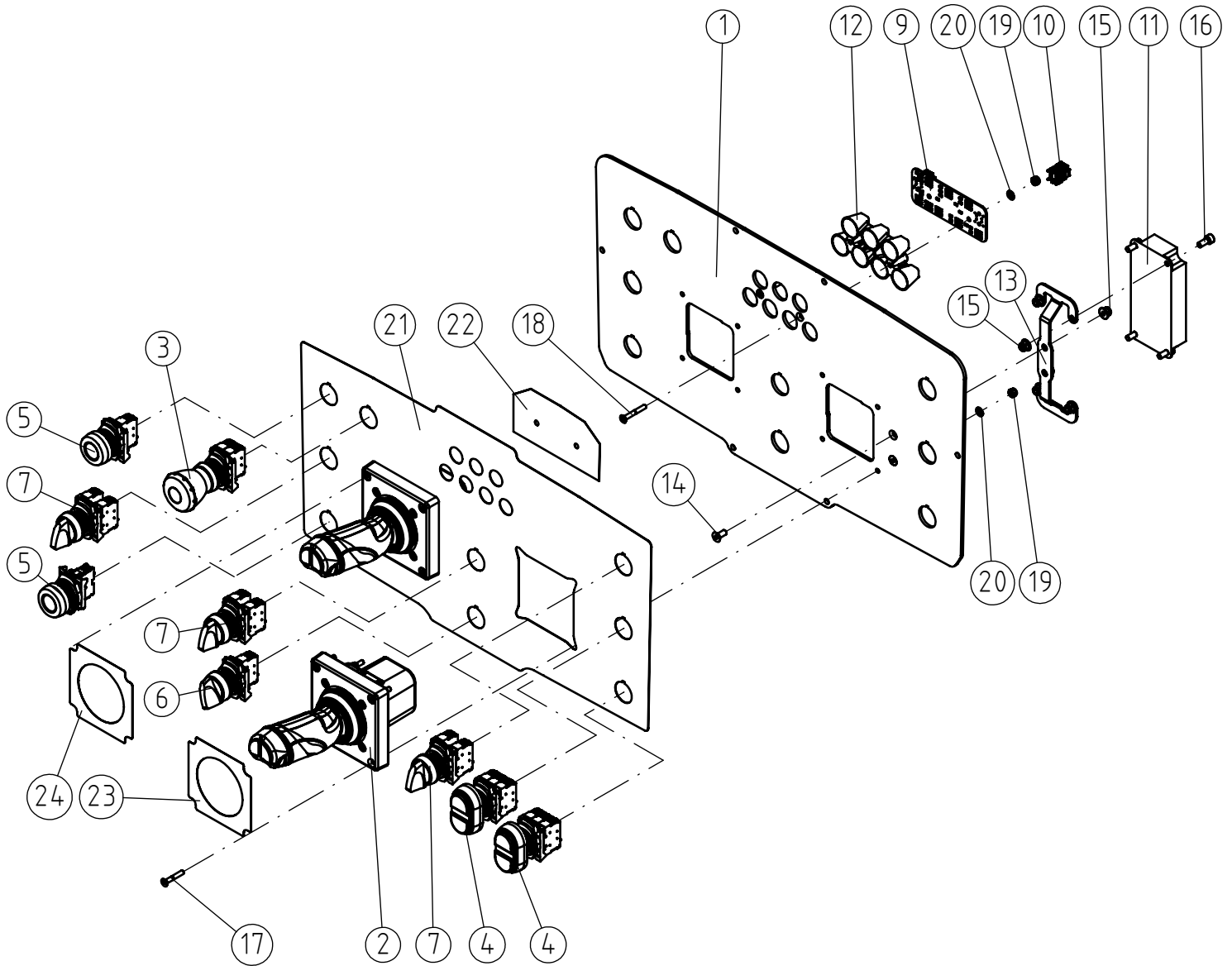
17.12.2024

A444822 CONTROLS ON PLATFORM LEGUAN 220

REF	PART NO	QTY	DESCRIPTION	NOTES	PAGE
1	A444823	1	DASHBOARD PLATFORM ASSEMBLY LEGUAN 220		142
2	A451705	1	CABLE ENTRY FRAME		-
3	64955	1	ALARM BEEPER SONITRON SCI 535 A5 F2		-
4	75094	2	HEXAGONAL HEAD SCREW M5*20 DIN912 2		-
5	74472	6	HEXAGONAL HEAD SCREW M 5*16 DIN 912 ZN		-
6	74448	6	WASHER M5 A5,3 DIN 125 ZN		-
7	A444824	1	HOUSING, CONTROL PANEL		-
8	A453725	1	SEALING TAPE, CONTROL PANEL PLATFORM		-

17.12.2024

A444823 DASHBOARD PLATFORM ASSEMBLY LEGUAN 220

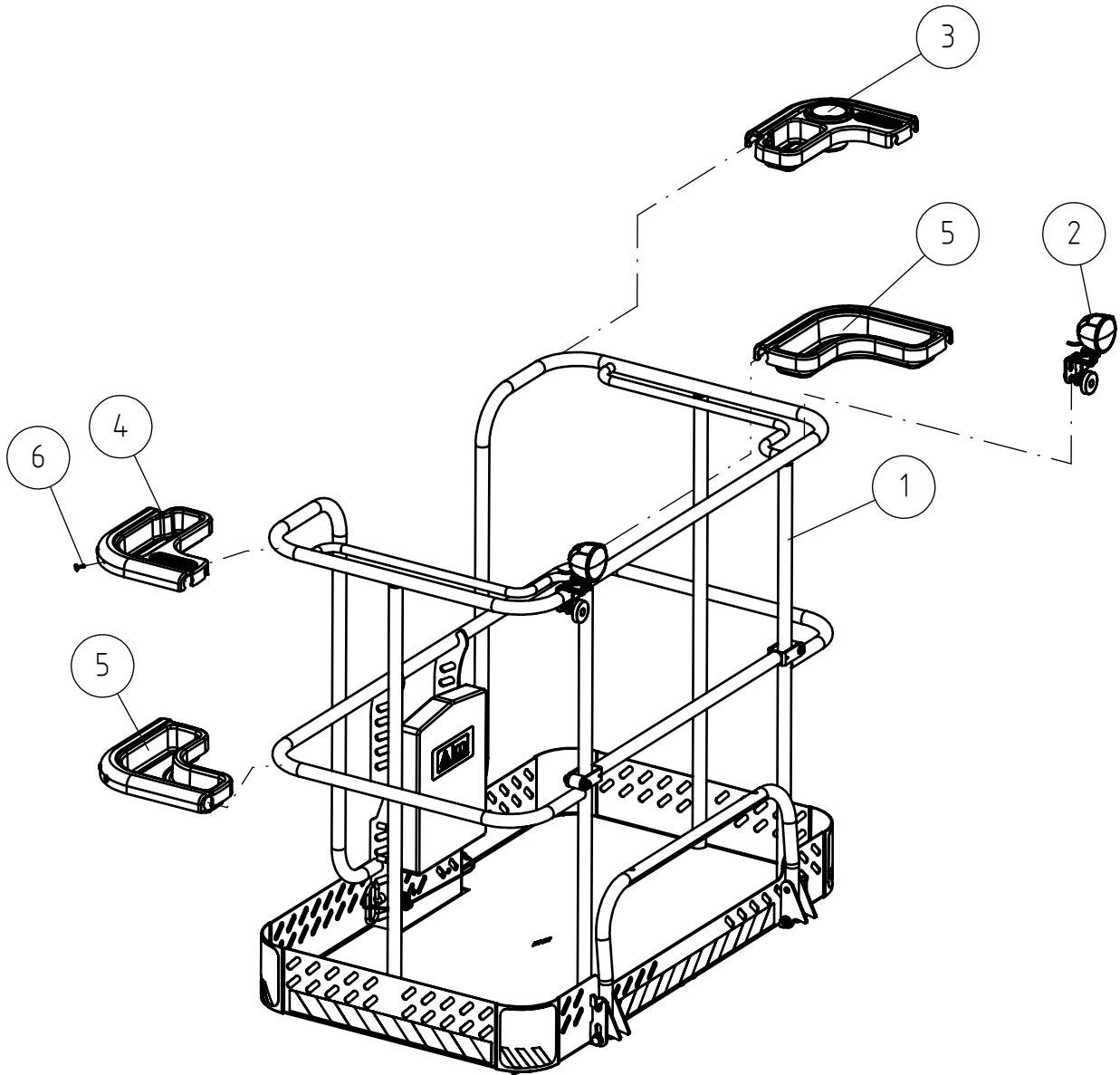


17.12.2024

A444823 DASHBOARD PLATFORM ASSEMBLY LEGUAN 220

REF	PART NO	QTY	DESCRIPTION	NOTES	PAGE
1	A444988	1	PLATE DASHBOARD		-
2	A431624	2	JOYSTICK JC4000 PLATFORM L135 NEO		-
2.1	A460975	1	PROTECTIVE COVER FOR JOYSTICK PUSH		-
3	A419326	1	EMERGENCY STOP 2*NC		-
4	A423432	2	PUSHBUTTON WITH 2 BUTTONS + GREEN LIGHT		-
5	A419324	2	PUSHBUTTON 1*NO		-
6	A419327	1	ROTARY SWITCH 1*NO 2 POSITIONS 0-1		-
7	A421459	3	SELECTOR SWITCH 2*NO 3-POSITION		-
8	73532	3	GROMMET F15/F10/F5		-
9	A433650	1	INDICATOR PANEL PLATFORM L135 NEO		-
10	A435230	2	DIRECT CONNECTOR SDDC 1,5		-
11	A446006	1	CIRCUIT BOARD CONTROLS PLATFORM LEGUAN		-
12	A435729	1	HOUSING LED INDICATORS PLATFORM L135 NEO		-
13	A453773	1	MOUNTING PLATE CIRCUIT BOARD LEGUAN 220		-
14	75148	2	COUNTERSUNK HEAD SCREW M5*12 DIN 7991		-
15	A447716	6	HEXAGONAL NUT M5 NYLOC DIN 6926		-
16	A453776	4	HEXAGONAL HEAD SCREW M5*12 DIN 912		-
17	A438204	8	COUNTERSUNK HEAD SCREW M4*25 DIN 7991		-
18	A438205	2	COUNTERSUNK HEAD SCREW M4*30 DIN 7991		-
19	72313	10	HEXAGONAL NUT M4 DIN 985 NYLOC		-
20	75097	10	WASHER M4 A4,3 DIN 125		-
21	A444831	1	DECAL DASHBOARD PLATFORM LEGUAN 220		-
21	A457474	1	DECAL DASHBOARD PLATFORM, AUSTRALIA		-
22	A454639	1	DECAL INDICATORS PLATFORM L225		-
23	A454632	1	DECAL JOYSTICK, RIGHT		-
24	A454633	1	DECAL JOYSTICK, LEFT		-

A453723 WORK PLATFORM ACCESSORIES



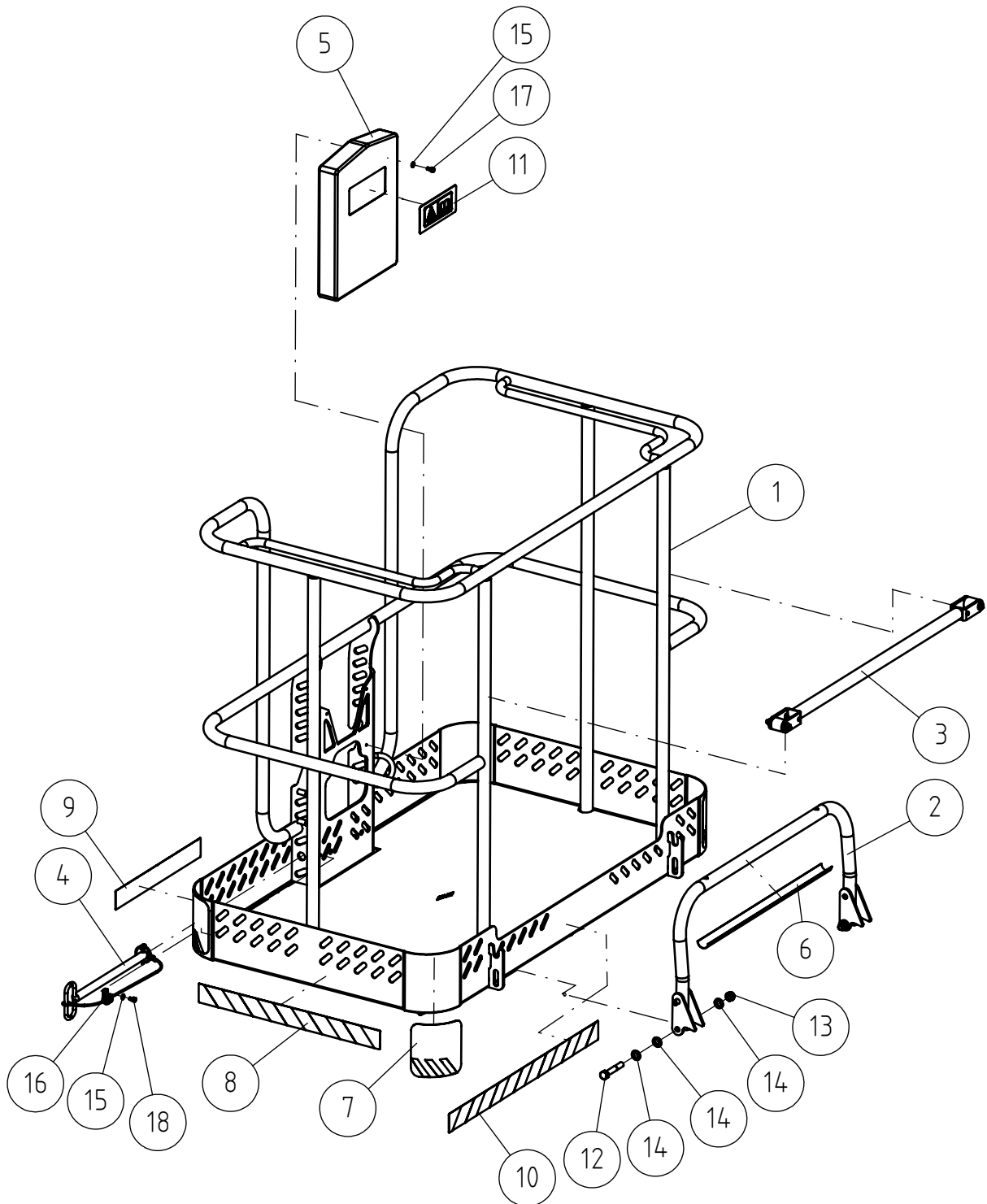
17.12.2024

A453723 WORK PLATFORM ACCESSORIES

REF	PART NO	QTY	DESCRIPTION	NOTES	PAGE
1	A453724	1	WORK PLATFORM ASSEMBLY LEGUAN 220		146
1	A443939	1	WORK PLATFORM 900X820 MM ASSEMBLY LEGUAN		148
2	A421621	2	WORK LIGHT, ON PLATFORM, LEGUAN 190		154
3	A418885	1	EQUIPMENT HOLDER, RIGHT, PLATFORM L135		-
4	A418889	1	EQUIPMENT HOLDER, LEFT, PLATFORM L135		-
5	A418891	2	EQUIPMENT HOLDER, PLATFORM L135		-
6	A468350	8	BLIND RIVET		-

17.12.2024

A453724 WORK PLATFORM ASSEMBLY LEGUAN 220



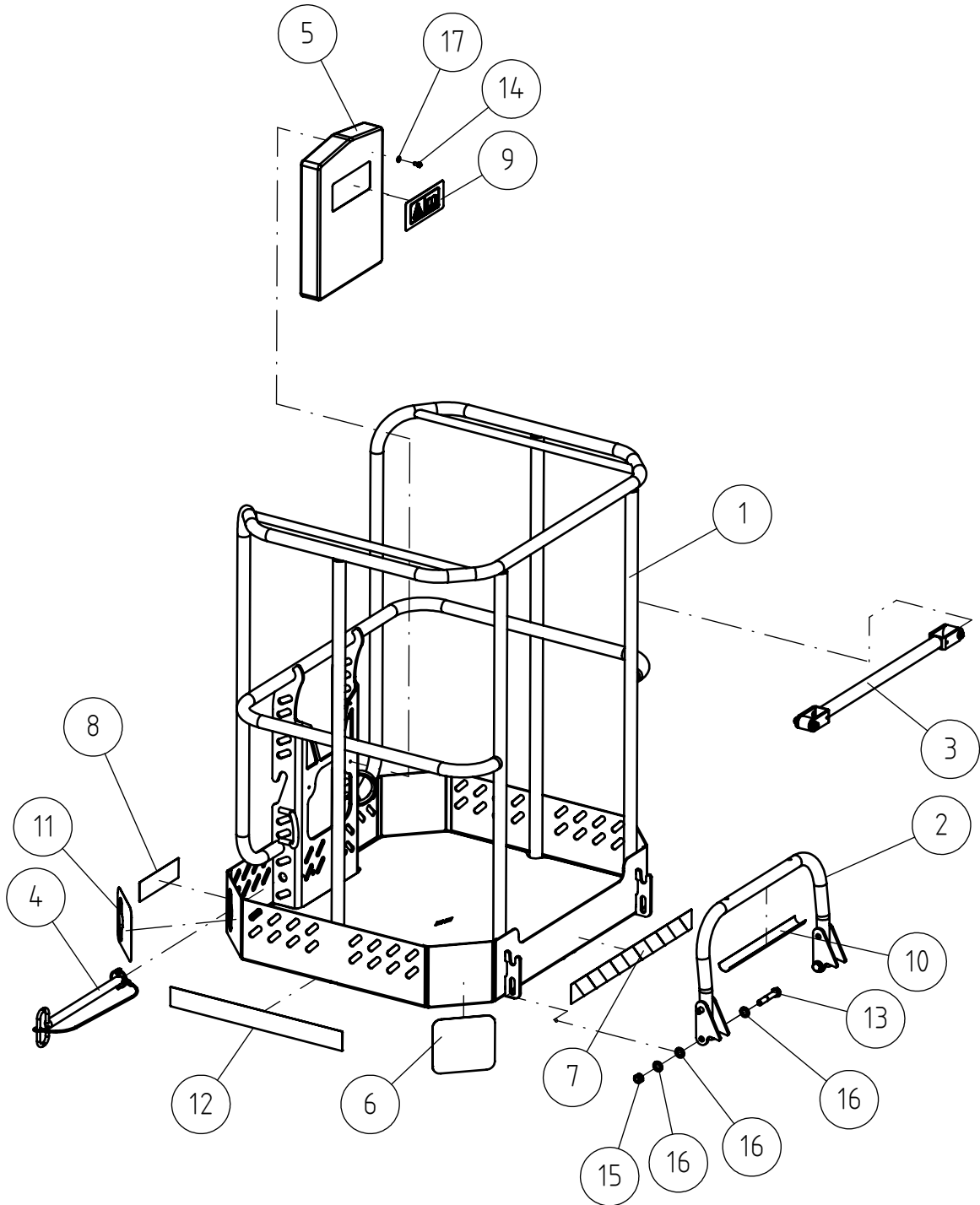
17.12.2024

A453724 WORK PLATFORM ASSEMBLY LEGUAN 220

REF	PART NO	QTY	DESCRIPTION	NOTES	PAGE
1	A419884	1	WORK PLATFORM LEGUAN 1270X744MM		-
2	A36191	1	STEP, WORK PLATFORM, LEGUAN 135		-
3	A417499	1	CROSS BAR, OPENING PLATFORM L135		152
4	A420082	1	LOCKING PIN WORK PLATFORM LEGUAN		-
5	64662	1	BOX, OPERATORS MANUAL		-
6	A420079	1	ANTI SLIP ADHESIVE TAPE L=560 LEGUAN		-
7	A421421	4	HAZARD TAPE YELLOW/BLACK CORNER PLATFORM		-
8	A421422	2	HAZARD TAPE YELLOW/BLACK SIDE PLATFORM		-
9	A421425	2	HAZARD TAPE YELLOW/BLACK PLATFORM FRONT		-
10	A421418	1	HAZARD TAPE YELLOW/BLACK PLATFORM REAR		-
11	A422085	1	DECAL SYMBOL READ OPERATORS MANUAL		-
12	A458022	2	HEXAGONAL SCREW M12*75 DIN 931		-
13	72324	2	HEXAGONAL NUT M 12 NYLOC DIN 985		-
14	A435580	6	WASHER M12 POLYAMID		-
15	71680	5	WASHER M6 DIN 125		-
16	74570	1	PIPE CLAMP F11 MM		-
17	A429653	4	HEXAGONAL HEAD SCREW M6*12 DIN 912 2 8.8		-
18	75089	1	HEXAGONAL HEAD SCREW M6*10 DIN912 2		-

17.12.2024

A443939 WORK PLATFORM 900X820 MM ASSEMBLY LEGUAN



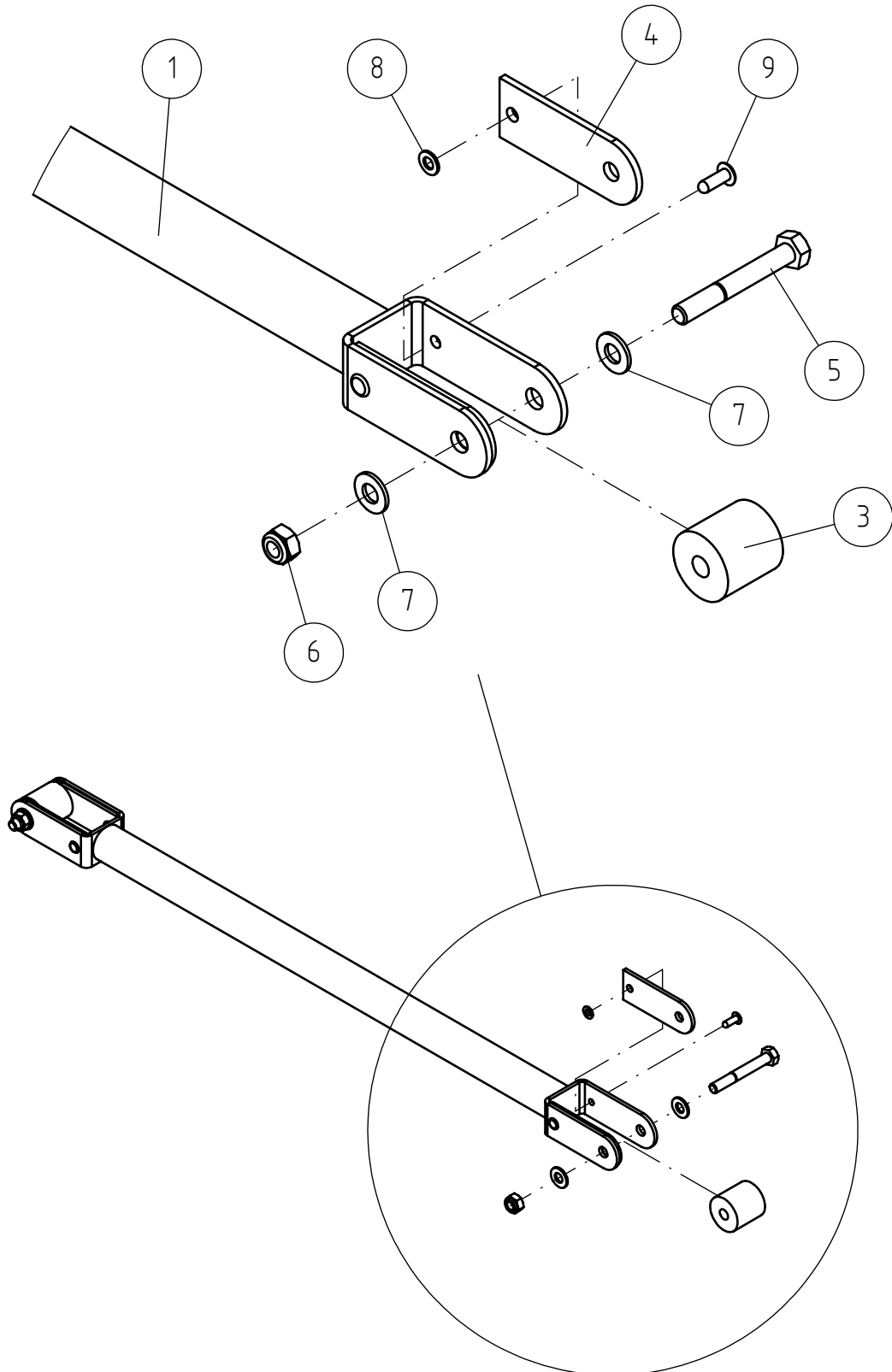
17.12.2024

A443939 WORK PLATFORM 900X820 MM ASSEMBLY LEGUAN

REF	PART NO	QTY	DESCRIPTION	NOTES	PAGE
1	A424503	1	WORK PLATFORM 900X820MM LEGUAN		-
2	A443941	1	STEP, WORK PLATFORM 900MM LEGUAN		-
3	A443940	1	CROSS BAR, OPENING PLATFORM 900X820MM		150
4	A420082	1	LOCKING PIN WORK PLATFORM LEGUAN		-
5	64662	1	BOX, OPERATORS MANUAL		-
6	A421421	3	HAZARD TAPE YELLOW/BLACK CORNER PLATFORM		-
7	A421422	1	HAZARD TAPE YELLOW/BLACK SIDE PLATFORM		-
8	A443975	2	HAZARD TAPE YELLOW/BLACK 170*50MM		-
9	A422085	1	DECAL SYMBOL READ OPERATORS MANUAL		-
10	A443973	1	ANTI SLIP ADHESIVE TAPE L=330 STEP		-
11	A443994	1	DECAL YELLOW/BLACK 150*139MM CORNER		-
12	A443995	2	DECAL YELLOW/BLACK + COLLISION HAZARD		-
13	A440119	2	HEXAGONAL SCREW M12*70 DIN 931		-
14	72116	4	HEXAGONAL SCREW M 6*12 DIN 933 ZN		-
15	72324	2	HEXAGONAL NUT M 12 NYLOC DIN 985		-
16	A435580	6	WASHER M12 POLYAMID		-
17	71680	4	WASHER M6 DIN 125		-

17.12.2024

A443940 CROSS BAR, OPENING PLATFORM 900X820MM



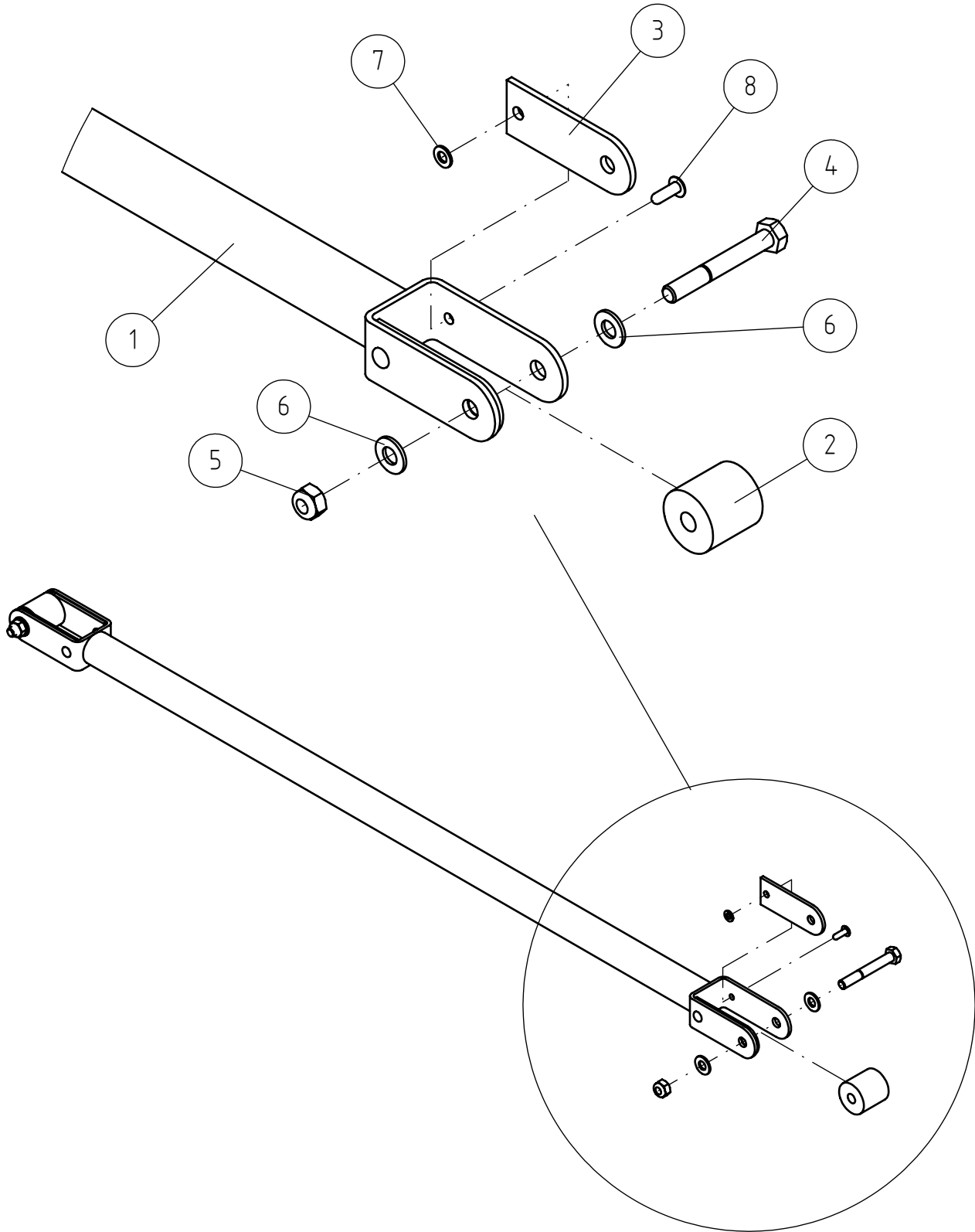
17.12.2024

A443940 CROSS BAR, OPENING PLATFORM 900X820MM

REF	PART NO	QTY	DESCRIPTION	NOTES	PAGE
1	A424520	1	CROSS BAR, OPENING PLATFORM 900X820MM		-
2	A418341	2	ROLLER L=30 LEGUAN 135		-
3	A418342	4	WEAR PLATE SELF LEVELLING BAR		-
4	72139	2	HEXAGONAL SCREW M 8*60 DIN 931		-
5	72320	2	HEXAGONAL NUT M8 NYLOC DIN 985		-
6	73122	4	WASHER M8 A8,4 DIN 125 ZN		-
7	74448	4	WASHER M5 A5,3 DIN 125 ZN		-
8	A452342	4	BLIND RIVET 4,8*12		-

17.12.2024

A417499 CROSS BAR, OPENING PLATFORM L135



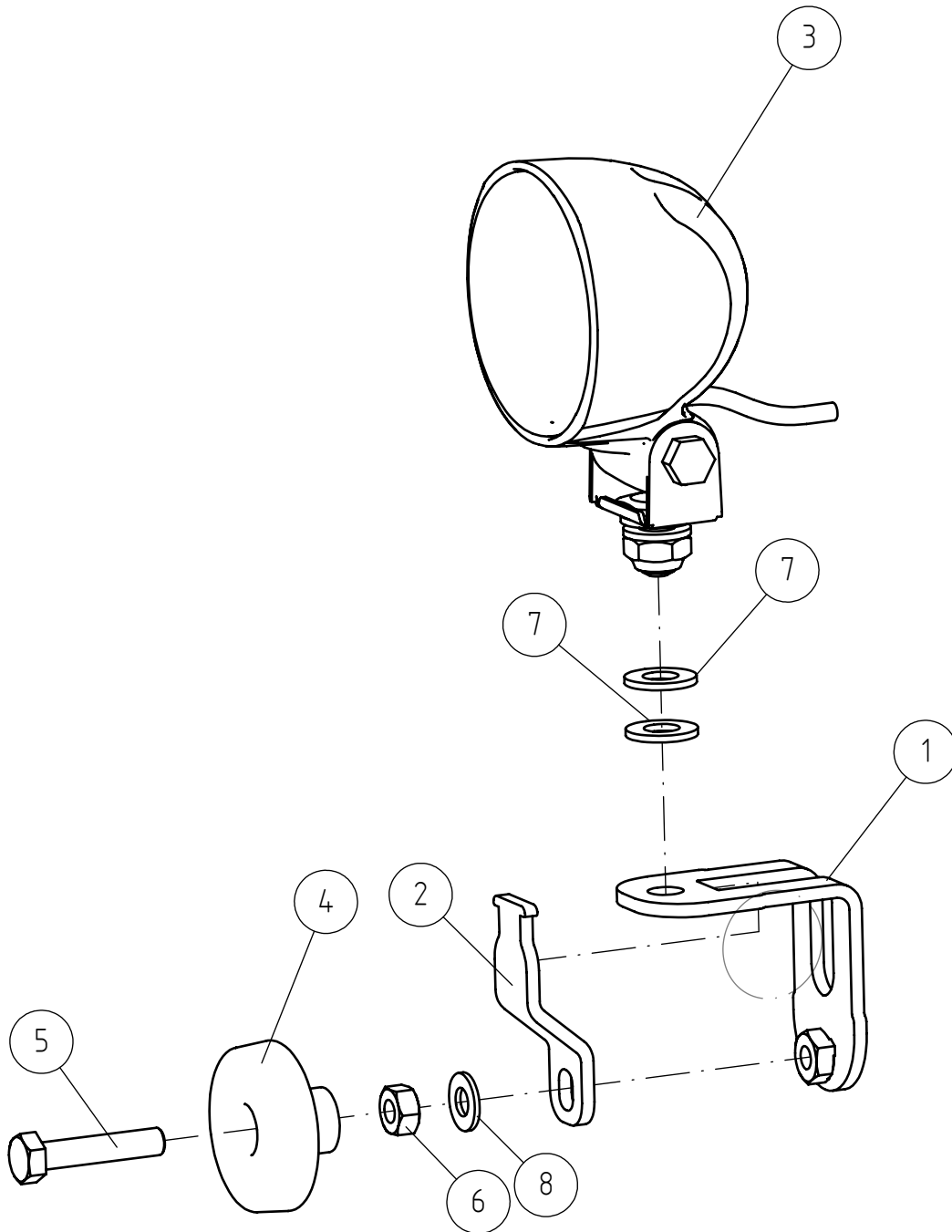
17.12.2024

A417499 CROSS BAR, OPENING PLATFORM L135

REF	PART NO	QTY	DESCRIPTION	NOTES	PAGE
1	A417886	1	SELF LEVELLING BAR PLATFORM L135		-
2	A418341	2	ROLLER L=30 LEGUAN 135		-
3	A418342	4	WEAR PLATE SELF LEVELLING BAR		-
4	72139	2	HEXAGONAL SCREW M 8*60 DIN 931		-
5	72320	2	HEXAGONAL NUT M8 NYLOC DIN 985		-
6	73122	4	WASHER M8 A8,4 DIN 125 ZN		-
7	74448	4	WASHER M5 A5,3 DIN 125 ZN		-
8	A452342	4	BLIND RIVET 4,8*12		-

17.12.2024

A421621 WORK LIGHT, ON PLATFORM, LEGUAN 190



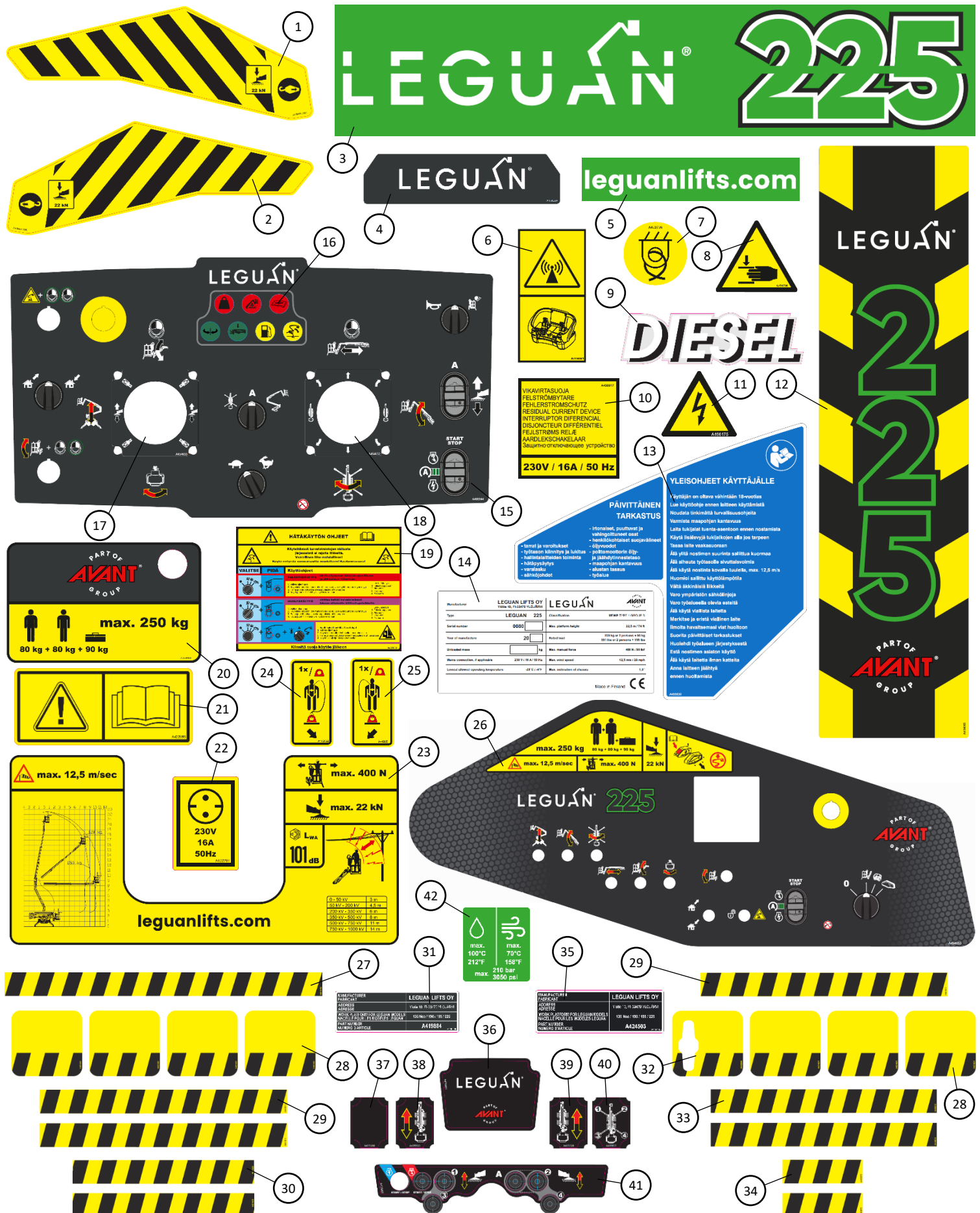
17.12.2024

A421621 WORK LIGHT, ON PLATFORM, LEGUAN 190

REF	PART NO	QTY	DESCRIPTION	NOTES	PAGE
1	A421657	1	BRACKET, WORK LIGHT PLATFORM LEGUAN		-
2	A421620	1	TIGHTENER, WORK LIGHT PLATFORM LEGUAN		-
3	A419163	1	WORK LIGHT LED 2500 LUMEN WITH CONNECTOR		-
4	64188	1	FINGER SCREW R5026M8S		-
5	73222	1	HEXAGONAL SCREW M8*40 DIN 933		-
6	72319	1	HEXAGONAL NUT M8 DIN 934		-
7	73121	2	WASHER M10 A10,5 DIN 125 ZN		-
8	73122	1	WASHER M8 A8,4 DIN 125 ZN		-

17.12.2024

A478431 DECAL KIT



17.12.2024

A478431 DECAL KIT

REF	PART NO	QTY	DESCRIPTION	NOTES	PAGE
1	A475458	4	DECAL OURIGGER, RIGHT		-
2	A475459	4	DECAL OUTRIGGER, LEFT		-
3	A454337	2	DECAL "LEGUAN 225" 215X1127 MM		-
4	A451370	2	DECAL TRACK FRAME		-
5	A454338	2	DECAL WEB ADDRESS		-
6	A419061	1	DECAL RADIO FREQUENCY HAZARD		-
7	A422795	4	DECAL SYMBOL TIE DOWN POINT LEGUAN		-
8	A454796	2	DECAL CRUSHING HAZARD		-
9	A43594	1	DECAL "DIESEL" 32*115 BLACK-WHITE/CLEAR		-
10	A430017	1	DECAL RESIDUAL CURRENT DEVICE		-
10	A476817	1	DECAL RESIDUAL CURRENT DEVICE (AUS)		-
11	A456175	1	DECAL ELECTROCUTION HAZARD		-
12	A454065	1	DECAL LOGO KNUCKLE PIECE		-
13	A455639	1	DECAL DAILY INSPECTION (FIN)		-
13	A454777	1	DECAL DAILY INSPECTION		-
13	A455631	1	DECAL DAILY INSPECTION (GER)		-
13	A457780	1	DECAL DAILY INSPECTION (NL)		-
13	A457815	1	DECAL DAILY INSPECTION (ES)		-
13	A457817	1	DECAL DAILY INSPECTION (PL)		-
13	A457916	1	DECAL DAILY INSPECTION (DA)		-
13	A458052	1	DECAL DAILY INSPECTION (SK)		-
13	A458110	1	DECAL DAILY INSPECTION (SV)		-
13	A458064	1	DECAL DAILY INSPECTION (NO)		-
13	A458238	1	DECAL DAILY INSPECTION (IT)		-
13	A456314	1	DECAL DAILY INSPECTION (FR)		-
14	A454774	1	TYPE PLATE CE LEGUAN 220		-
14	A456693	1	TYPE PLATE AUS LEGUAN 220		-
14	A456105	1	TYPE PLATE USA LEGUAN 220		-
15	A444831	1	DECAL DASHBOARD PLATFORM LEGUAN 220		-
15	A457474	1	DECAL DASHBOARD PLATFORM, AUSTRALIA		-
16	A454639	1	DECAL INDICATORS PLATFORM L225		-
17	A454633	1	DECAL JOYSTICK, LEFT		-
18	A454632	1	DECAL JOYSTICK, RIGHT		-
19	A455638	1	DECAL EMERGENCY PROCEDURES (FIN)		-
19	A454782	1	DECAL, EMERGENCY PROCEDURES		-
19	A455630	1	DECAL EMERGENCY PROCEDURES (GER)		-
19	A457779	1	DECAL EMERGENCY PROCEDURES (NL)		-
19	A457814	1	DECAL EMERGENCY PROCEDURES (ES)		-
19	A457816	1	DECAL EMERGENCY PROCEDURES (PL)		-
19	A457915	1	DECAL EMERGENCY PROCEDURES (DA)		-
19	A458051	1	DECAL EMERGENCY PROCEDURES (SK)		-
19	A458109	1	DECAL EMERGENCY PROCEDURES (SV)		-
19	A458063	1	DECAL EMERGENCY PROCEDURES (NO)		-
19	A458236	1	DECAL EMERGENCY PROCEDURES (IT)		-
19	A456315	1	DECAL EMERGENCY PROCEDURES (FR)		-
20	A454683	1	DECAL PLATFORM COVER		-
21	A422085	1	DECAL SYMBOL READ OPERATORS MANUAL		-
22	A422794	2	DECAL ELECTRIC BOX L125		-
23	A454792	1	DECAL PLATFORM		-
24	A442882	1	DECAL FASTENING POINT SAFETY HARNESS		-
25	A442881	1	DECAL FASTENING POINT SAFETY HARNESS,		-
26	A454653	1	DECAL LOWER CONTROLS		-
27	A421418	1	HAZARD TAPE YELLOW/BLACK PLATFORM REAR		-
28	A421421	4	HAZARD TAPE YELLOW/BLACK CORNER PLATFORM		-
29	A421422	3	HAZARD TAPE YELLOW/BLACK SIDE PLATFORM		-
30	A421425	1	HAZARD TAPE YELLOW/BLACK PLATFORM FRONT		-
31	A430236	1	DECAL TYPE PLATE WORK PLATFORM LEGUAN		-
32	A443994	1	DECAL YELLOW/BLACK 150*139MM CORNER		-
33	A444010	2	HAZARD TAPE YELLOW/BLACK SIDE PLATFORM		-
34	A443975	1	HAZARD TAPE YELLOW/BLACK 170*50MM		-
35	A444145	1	DECAL TYPE PLATE WORK PLATFORM NARROW		-
36	A435901	1	DECAL "LEGUAN 190" REMOTE CONTROL UNIT		-
37	A435900	1	DECAL EMPTY/BLACK REMOTE CONTROL UNIT		-
38	A435898	1	DECAL DRIVING DIRECTION 1 REMOTE CONTROL		-
39	A435899	1	DECAL DRIVING DIRECTION 2 REMOTE CONTROL		-
40	A435897	1	DECAL OUTRIGGERS REMOTE CONTROL LEGUAN		-
41	A435902	1	DECAL SYMBOLS REMOTE CONTROL LEGUAN 190		-
42	A455584	2	DECAL AIR/WATER		-

17.12.2024

A478432 DECAL KIT USA

REF	PART NO	QTY	DESCRIPTION	NOTES	PAGE
1	A475460	4	DECAL USA OUTRIGGER, RIGHT		-
2	A475461	4	DECAL USA OUTRIGGER, LEFT		-
3	A455932	2	DECAL USA LOGO UPPER BOOM		-
4	A451370	2	DECAL TRACK FRAME		-
5	A454338	2	DECAL WEB ADDRESS		-
6	A422795	4	DECAL SYMBOL TIE DOWN POINT LEGUAN		-
7	A454777	1	DECAL DAILY INSPECTION		-
8	A454782	1	DECAL, EMERGENCY PROCEDURES		-
9	A455970	4	DECAL CRUSHING OF HANDS		-
10	A455944	1	DECAL USA DASHBOARD PLATFORM		-
11	A454633	1	DECAL JOYSTICK, LEFT		-
12	A454632	1	DECAL JOYSTICK, RIGHT		-
13	A454639	1	DECAL INDICATORS PLATFORM L225		-
14	A455960	1	DECAL USA ELECTROCUTION, UPPER CONTROLS		-
15	A455933	1	DECAL USA ELECTROCUTION, LOWER CONTROLS		-
16	A441821	2	DECAL USA COLLISION HAZARD FRONT LEGUAN		-
17	A443151	2	DECAL USA CRUSHING HAZARD REAR LEGUAN		-
18	A442470	1	DECAL USA "DIESEL EXHAUST" LEGUAN 190		-
19	A454065	1	DECAL LOGO KNUCKLE PIECE		-
20	A417275	1	DECAL USA "DIESEL ULTRA LOW SULFUR FUEL"		-
21	A456176	1	DECAL HAZARDOUS VOLTAGE		-
22	A443187	2	DECAL USA CRUSHING HAZARD FRONT LEGUAN		-
23	A443205	1	DECAL USA "EXPOSED BELT DRIVE" LEGUAN		-
24	A456013	1	DECAL USA NOTICE		-
25	A456000	1	DECAL USA ANNUAL INSPECTION		-
26	A419061	1	DECAL RADIO FREQUENCY HAZARD		-
27	A441803	1	DECAL FUSES USA LEGUAN		-
28	A437224	1	DECAL "DO NOT USE THE BLOCK HEATER..."		-
29	A441818	1	DECAL 120V/20A/60HZ LEGUAN		-
30	A442882	1	DECAL FASTENING POINT SAFETY HARNESS		-
31	A442881	1	DECAL FASTENING POINT SAFETY HARNESS,		-
32	A441823	1	DECAL CLOSE GATE LEGUAN 190		-
33	A443585	1	DECAL "LIFT INSPECTED" LEGUAN		-
34	A455936	1	DECAL USA LOWER CONTROLS		-
35	A456105	1	TYPE PLATE USA LEGUAN 220		-
36	A441802	1	DECAL USA READ OPERATORS MANUAL LEGUAN		-
37	A441820	1	DECAL SOCKET LEGUAN 190		-
38	A455937	1	DECAL USA PLATFORM		-
39	A455584	2	DECAL AIR/WATER		-
40	A421418	1	HAZARD TAPE YELLOW/BLACK PLATFORM REAR		-
41	A421421	4	HAZARD TAPE YELLOW/BLACK CORNER PLATFORM		-
42	A441811	2	HAZARD TAPE YELLOW/BLACK SIDE PLATFORM		-
43	A421425	2	HAZARD TAPE YELLOW/BLACK PLATFORM FRONT		-
44	A430236	1	DECAL TYPE PLATE WORK PLATFORM LEGUAN		-
45	A421422	1	HAZARD TAPE YELLOW/BLACK SIDE PLATFORM		-
46	A443994	1	DECAL YELLOW/BLACK 150*139MM CORNER		-
47	A443995	2	DECAL YELLOW/BLACK + COLLISION HAZARD		-
48	A443975	2	HAZARD TAPE YELLOW/BLACK 170*50MM		-
49	A444145	1	DECAL TYPE PLATE WORK PLATFORM NARROW		-
50	A435901	1	DECAL "LEGUAN 190" REMOTE CONTROL UNIT		-
51	A435900	1	DECAL EMPTY/BLACK REMOTE CONTROL UNIT		-
52	A435898	1	DECAL DRIVING DIRECTION 1 REMOTE CONTROL		-
53	A435899	1	DECAL DRIVING DIRECTION 2 REMOTE CONTROL		-
54	A435897	1	DECAL OUTRIGGERS REMOTE CONTROL LEGUAN		-
55	A435902	1	DECAL SYMBOLS REMOTE CONTROL LEGUAN 190		-

17.12.2024

A457955 HYDRAULIC HOSE KIT

PART NO	QTY	LENGTH, mm	USE	FROM	TO
A446502	2	12000	JIB, A	BOOM MANIFOLD	TELE BOOM
			EXTRA HOSE	BOOM MANIFOLD	TELE BOOM
A446290	3	12000	JIB, B	BOOM MANIFOLD	TELE BOOM
			SELF LEVELLING CYL, A	BOOM MANIFOLD	TELE BOOM
			SELF LEVELLING CYL, B	BOOM MANIFOLD	TELE BOOM
A446293	1	2730	EXTRA HOSE	TELE BOOM	PLATFORM
A446294	2	2400	SELF LEVELLING CYL, A	TELE BOOM	SECOND.SELF LEVELLING CYL.
			SELF LEVELLING CYL, B	TELE BOOM	SECOND.SELF LEVELLING CYL.
A448782	2	680	JIB, A	TELE BOOM	JIB CYL.
			JIB, B	TELE BOOM	JIB CYL.
A448775	1	11000	EXTRA HOSE	CHASSIS	BOOM MANIFOLD
A448780	2	7900	MAIN PRESSURE	LOWER BOOM MANIFOLD	BOOM MANIFOLD
			TANK	LOWER BOOM MANIFOLD	BOOM MANIFOLD
A451354	2	2050	TELE.CYL. A	BOOM MANIFOLD	TELE CYL.
			TELE.CYL. B	BOOM MANIFOLD	TELE CYL.
A451359	2	1590	UPPER BOOM CYL, A	BOOM MANIFOLD	UPPER BOOM CYL.
			UPPER BOOM CYL, B	BOOM MANIFOLD	UPPER BOOM CYL.
A451786	1	1120	SELF LEVELLING CYL, A	BOOM MANIFOLD	MAIN SELF LEVEL.CYL
A451788	1	870	SELF LEVELLING CYL, B	BOOM MANIFOLD	MAIN SELF LEVEL.CYL
A452165	2	1100	LIFT CYL, A	LOWER BOOM MANIFOLD	LIFT CYL.
			LIFT CYL, B	LOWER BOOM MANIFOLD	LIFT CYL.
A452422	2	2500	MAIN PRESSURE	PUMP MANIFOLD	LOWER BOOM MANIFOLD
			TANK	PUMP MANIFOLD	LOWER BOOM MANIFOLD
A452423	2	750	MAIN PRESSURE	PUMP MANIFOLD	OUTRIGGER MANIFOLD
			TANK	PUMP MANIFOLD	OUTRIGGER MANIFOLD
A451781	2	3750	OUTRIGGER 1 A	OUTRIGGER MANIFOLD	OUTRIGGER 1
			OUTRIGGER 1 B	OUTRIGGER MANIFOLD	OUTRIGGER 1
A451782	2	3350	OUTRIGGER 2 A	OUTRIGGER MANIFOLD	OUTRIGGER 2
			OUTRIGGER 2 B	OUTRIGGER MANIFOLD	OUTRIGGER 2
A451783	2	2300	OUTRIGGER 3 A	OUTRIGGER MANIFOLD	OUTRIGGER 3
			OUTRIGGER 3 B	OUTRIGGER MANIFOLD	OUTRIGGER 3
A451779	2	1900	OUTRIGGER 4 A	OUTRIGGER MANIFOLD	OUTRIGGER 4
			OUTRIGGER 4 B	OUTRIGGER MANIFOLD	OUTRIGGER 4
A451506	2	800	DRIVE MOTOR RIGHT A	PUMP MANIFOLD	DRIVE MOTOR RIGHT
			DRIVE MOTOR RIGHT B	PUMP MANIFOLD	DRIVE MOTOR RIGHT
A451508	2	755	DRIVE MOTOR LEFT A	PUMP MANIFOLD	DRIVE MOTOR LEFT
			DRIVE MOTOR LEFT B	PUMP MANIFOLD	DRIVE MOTOR LEFT
A451509	1	855	SPEED RIGHT	PUMP MANIFOLD	DRIVE MOTOR RIGHT
A451510	3	650	SPEED LEFT	PUMP MANIFOLD	DRIVE MOTOR LEFT
			MOTOR LEAK RIGHT	DRIVE MOTOR RIGHT	TANK
			MOTOR LEAK LEFT	DRIVE MOTOR LEFT	TANK
A452424	2	1100	PRESSURE, ELECT. MOTOR	ELECT. MOTOR PUMP	PUMP MANIFOLD
			PRESSURE, ELECT.MOTOR	ELECT. MOTOR PUMP	PUMP MANIFOLD
A452425	2	1800	PRESSURE, DIESEL MOTOR	DIESEL MOTOR PUMP	PUMP MANIFOLD
			PRESSURE, DIESEL MOTOR	DIESEL MOTOR PUMP	PUMP MANIFOLD
A452426	2	720	SLEW MOTOR, A	PUMP MANIFOLD	SLEW MOTOR
			SLEW MOTOR, B	PUMP MANIFOLD	SLEW MOTOR
A452429	2	580	SLEW MOTOR LEAK	SLEW MOTOR	TANK
A453299	1	920	PRESSURE, BACKUP PUMP	BACKUP PUMP	PUMP MANIFOLD
A455094	1	750	SUCTION, BACKUP PUMP	SUCTION MANIFOLD	BACKUP PUMP
A452427	1	480	MAIN PRESSURE	PUMP MANIFOLD	PUMP MANIFOLD
A452428	1	800	TANK	PUMP MANIFOLD	OIL COOLER
A453294	1	660	TANK	OIL COOLER	RETURN FILTER
A450144	1	1200	SUCTION	TANK	SUCTION MANIFOLD
A449409	1	470	SUCTION	SUCTION MANIFOLD	DIESEL MOTOR
A453012	1	180	DRAIN	RETURN FILTER	TANK
A449454	1	400	SUCTION	SUCTION MANIFOLD	ELECT. MOTOR

17.12.2024

A457955 HYDRAULIC HOSE KIT

REF	PART NO	QTY	DESCRIPTION	NOTES	PAGE
1	A446502	2	HYDR. HOSE L=12000		-
2	A446290	3	HYDR. HOSE L=12000		-
3	A446293	1	HYDR. HOSE L=2730		-
4	A446294	2	HYDR. HOSE L=2400		-
5	A448782	2	HYDR. HOSE L=680		-
6	A448775	1	HYDR. HOSE L=9900		-
7	A448780	2	HYDR. HOSE L=7900		-
8	A451354	2	HYDR. HOSE L=2050		-
9	A451359	2	HYDR. HOSE L=1590		-
10	A451786	1	HYDR. HOSE L=1120		-
11	A451788	1	HYDR. HOSE L=870		-
12	A452165	2	HYDR. HOSE L=1100		-
13	A452422	2	HYDR. HOSE L=2200		-
14	A452423	2	HYDR. HOSE L=750		-
15	A451781	2	HYDR. HOSE L=3750		-
16	A451782	2	HYDR. HOSE L=3350		-
17	A451783	2	HYDR. HOSE L=2300		-
18	A451779	2	HYDR. HOSE L=1900		-
19	A451506	2	HYDR. HOSE L=800		-
20	A451508	2	HYDR. HOSE L=755		-
21	A451509	1	HYDR. HOSE L=855		-
22	A451510	3	HYDR. HOSE L=650		-
23	A452424	2	HYDR. HOSE L=1100		-
24	A452425	2	HYDR. HOSE L=1800		-
25	A452426	2	HYDR. HOSE L=720		-
26	A452429	2	HYDR. HOSE L=580		-
27	A453299	1	HYDR. HOSE L=920		-
28	A455094	1	HYDR. HOSE L=750		-
29	A452427	1	HYDR. HOSE L=480		-
30	A452428	1	HYDR. HOSE L=800		-
31	A453294	1	HYDR. HOSE L=660		-
32	A450144	1	INLET HOSE L=1200 LEGUAN 220		-
33	A449409	1	HYDR. HOSE L=470		-
34	A453012	1	DRAIN HOSE L=180		-
35	A449454	1	INLET HOSE L=400 F19/29		-

17.12.2024

A457975 CABLE HARNESSSES COMPLETE

PART NO	Description 1	Description 2
A451231	Cable harnesses	
A436953	Joystick cable	X91 - E10
A436953	Joystick cable	X92 - E11
A454051	Hydraulic oil pressure sensors	E15.8 - P2+P7
A440382	Lower boom CAN bus cable 1	X42- E4
66319	Front left outrigger sensor	E15.1 - S21
66319	Front right outrigger sensor	E15.2 - S22
A440378	Rear left outrigger sensor	E15.3 - S23
A440378	Rear right outrigger sensor	E15.4 - S24
66318	Front left outrigger beacon splitter,	H21 - S21/E15.1
66318	Front right outrigger beacon splitter,	H22 - S22/E15.2
66318	Rear left outrigger beacon splitter, option	H23 - S23/E15.3
66318	Rear right outrigger beacon splitter,	H24 - S24/E15.4
66315	Boom center position sensor	S25 - X40
A454859	Dead man pedal cable, option	S81 - X.DMP
A449735	Work light harness, option	X.WL - H25+H26
A453144	Remote control harness, option	X13 - E12.C+X43
66319	Remote controller pairing cable, option	E12.B - E13

17.12.2024

A457975 CABLE HARNESSSES COMPLETE

REF	PART NO	QTY	DESCRIPTION	NOTES	PAGE
1	A451231	1	CABLE HARNESSSES		164
2	A436953	2	CABLE 12-POLE 300 MM		-
3	A454051	1	Y JUMPER CABLE 1 M		-
4	A440382	1	CAN CABLE M12 10M		-
5	66319	3	JUMPER CABLE EVC685 4M 60VAC/4A		-
6	A440378	2	CONNECTION CABLE 3M M12X1		-
7	66318	4	Y JUMPER CABLE 0,1M 60VAC/4A		-
8	66315	1	JUMPER CABLE 0,6M 60VAC/4A		-
9	A454859	1	CABLE, FOOT PEDAL		-
10	A449735	1	WIRE HARNESS, WORK LIGHTS		-
11	A453144	1	REMOTE CONTROL HARNESS, OPTION		-

17.12.2024

A451231 CABLE HARNESSES

17.12.2024

A451231 CABLE HARNESSSES

REF	PART NO	QTY	DESCRIPTION	NOTES	PAGE
1	A422870	1	WIRE, 230V CONNECTION BOX LEGUAN 190		-
2	A450127	1	PLATFORM LOGIC CONTROLLER HARNESS		-
3	A450543	1	LOWER CONTROL LOGIC CONTROLLER HARNESS 1		-
4	A450544	1	LOWER CONTROL LOGIC CONTROLLER HARNESS 2		-
5	A451232	1	CHASSIS SENSOR SPLITTER CABLE		-
6	A451233	1	WIRE HARNESS ENGINE D902 LEGUAN 220		-
7	A451234	1	WIRE HARNESS PUMP BLOCK LEGUAN 220		-
8	A451235	1	SENSOR CABLE BOOM ROTATION		-
9	A451236	1	EMERGENCY USE AND OIL COOLER FAN CABLE		-
10	A451237	1	CABLE 1 LOWER BOOM		-
11	A451238	1	CABLE 2 LOWER BOOM		-
12	A451239	1	WIRE HARNESS BOOM BLOCK LEGUAN 220		-
13	A451240	1	CONTROL MANIFOLD CABLE LOWER BOOM		-
14	A451241	1	EMERGENCY LOWERING CABLE LOWER BOOM		-
15	A451242	1	LOWER CONTROL SWITCHES 1		-
16	A451243	1	LOWER CONTROL SWITCHES 2		-
17	A451244	1	LOWER CONTROL SWITCHES 3		-
18	A451245	1	PLATFORM CONTROL SWITCHES 1		-
19	A451246	1	PLATFORM CONTROL SWITCHES 2		-
20	A451247	1	PLATFORM CONTROL SWITCHES 3		-
21	A453125	1	CABLE 3 LOWER BOOM		-
22	A453127	1	CABLE 230V LOWER BOOM LEGUAN 220		-
23	A453129	1	CAN CABLE 2 LOWER BOOM LEGUAN 220		-
24	A453130	1	CABLE 1 UPPER BOOM LEGUAN 220		-
25	A453131	1	CABLE 2 UPPER BOOM LEGUAN 220		-
26	A453134	1	CABLE 230V UPPER BOOM LEGUAN 220		-
27	A453135	1	CAN CABLE UPPER BOOM LEGUAN 220		-
28	A453137	1	CABLE 1 JIB BOOM LEGUAN 220		-
29	A453138	1	CABLE 2 JIB BOOM LEGUAN 220		-
30	A453139	1	CABLE 230V JIB BOOM LEGUAN 220		-
31	A453140	1	CAN CABLE 1 JIB BOOM LEGUAN 220		-
32	A453141	1	CAN CABLE 2 JIB BOOM LEGUAN 220		-
33	A453142	1	EMERGENCY LOWERING CABLE JIB BOOM		-
34	A453143	1	ENGINE CABLE		-
35	A453152	1	BATTERY - MAIN SWITCH CABLE		-
36	A453153	1	BATTERY - CHASSIS GND CABLE		-
37	A453154	1	MAIN SWITCH - KUBOTA START CABLE		-
38	A453155	1	KUBOTA START - CHARGER CABLE		-
39	A453156	1	KUBOTA - CHASSIS GND CABLE		-
40	A453158	1	PUMP MANIFOLD - CHASSIS GND CABLE		-
41	A453159	1	FUSE - LOWER CONTROL PCB CABLE		-
42	A453160	1	CHASSIS GND - LOWER CONTROL PCB CABLE		-
43	A453161	1	FUSE - EMERGENCY PUMP CABLE		-
44	A453162	1	EMERGENCY PUMP RELAY - PUMP CABLE		-
45	A453163	1	EMERGENCY USE PUMP - CHASSIS GND CABLE		-
46	A453398	1	MAIN SWITCH AND HYDRAULIC OIL		-
47	A453435	1	PUMP MANIFOLD CABLE		-
48	A454854	1	230 VAC BOX - LOWER BOOM CABLE		-
49	A454855	1	230 VAC BOX - ELECTRIC MOTOR CABLE		-
50	A454857	1	ELECTRIC MOTOR - 230 VAC BOX CABLE		-

LEGUAN[®]

Varaosat Spare parts

spareparts.leguan@avanttecno.com

Leguan Lifts Oy
Ylötie 10
FI-33470 Ylöjärvi Finland

